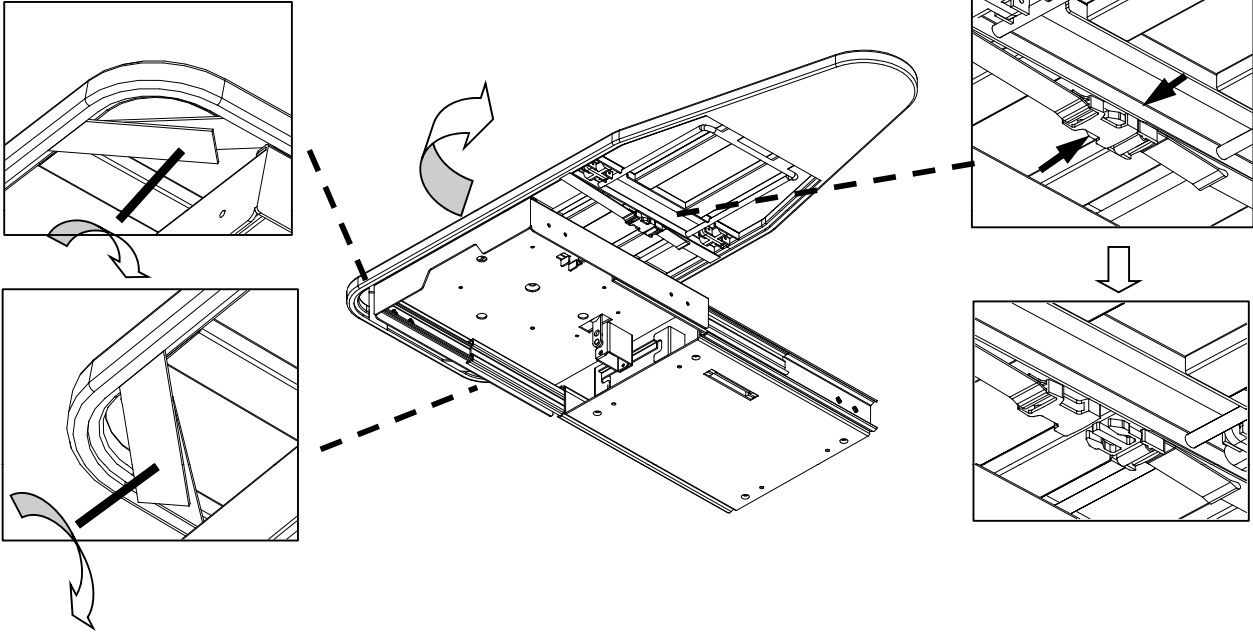


INSTALLATION INSTRUCTIONS

COVER(S08560-3) for ROTATING IRONING BOARD

Step 1: Untie and take off the Cover from Ironing Board



Step 2: Put on the Cover and fasten on Ironing Board.

