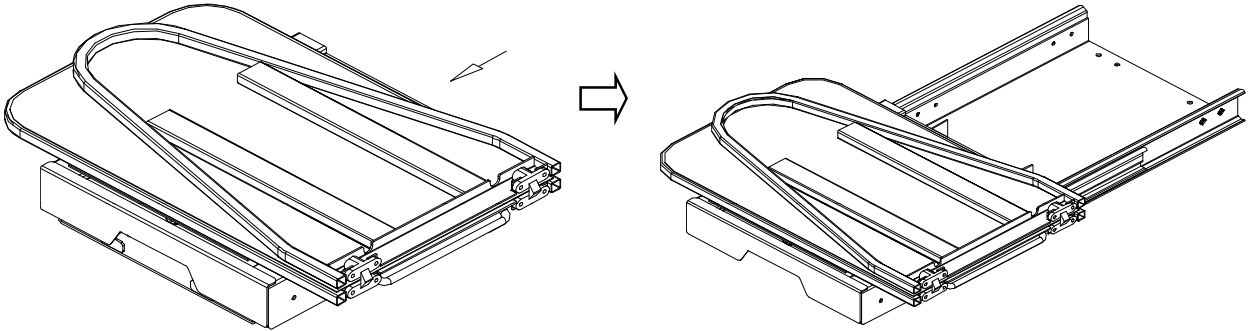


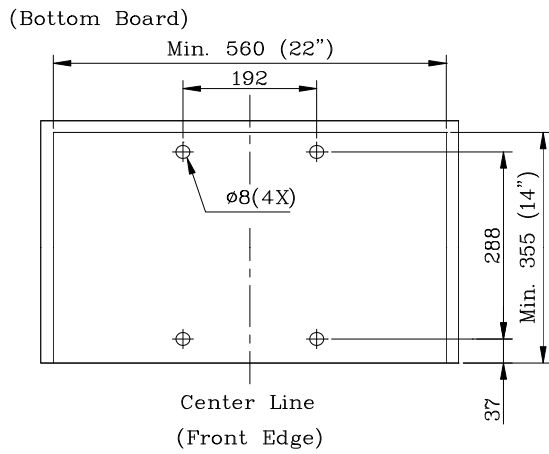
INSTALLATION INSTRUCTIONS

FOR ROTATING IRONING BOARD S08560 (Using machine screws)

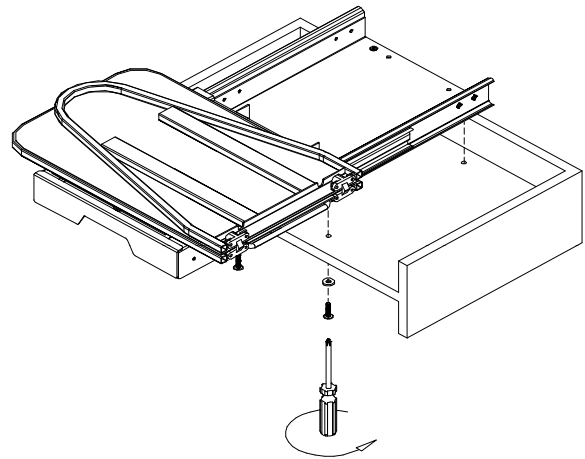
Step 1:



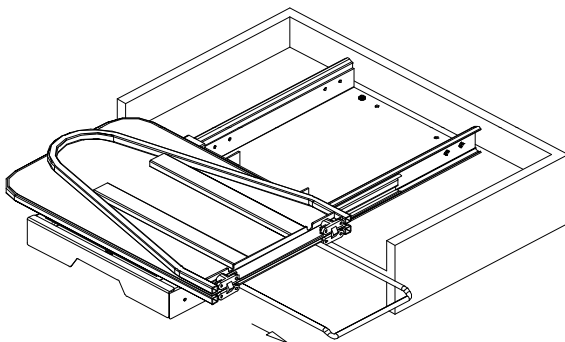
Step 2: Step 2: Drill through four 8mm holes.



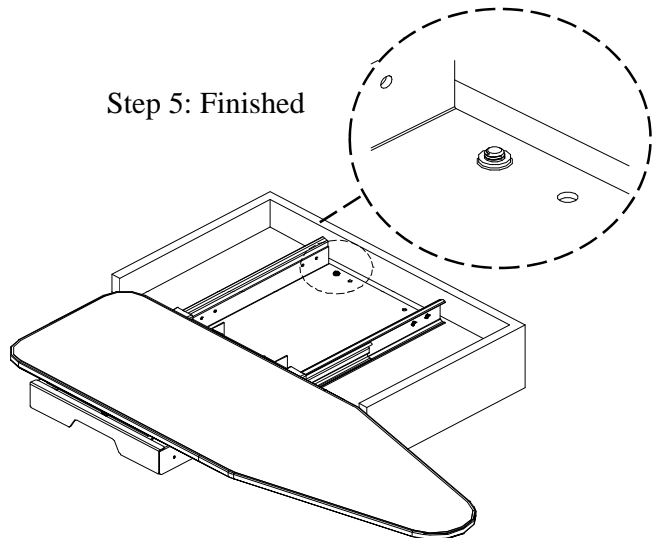
Step 3:



Step 4: Pull out support wire rack.


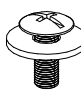


Step 5: Finished



Wood Screw

Machine Screw

	8pcs		4pcs
---	------	---	------

 **RED-A-SHELF**

 **kitchensource.com**

1.800.667.8721