



Deluxe Fixed Position Electric Ironing Center | E-42

Product Specification Packet

February 2021

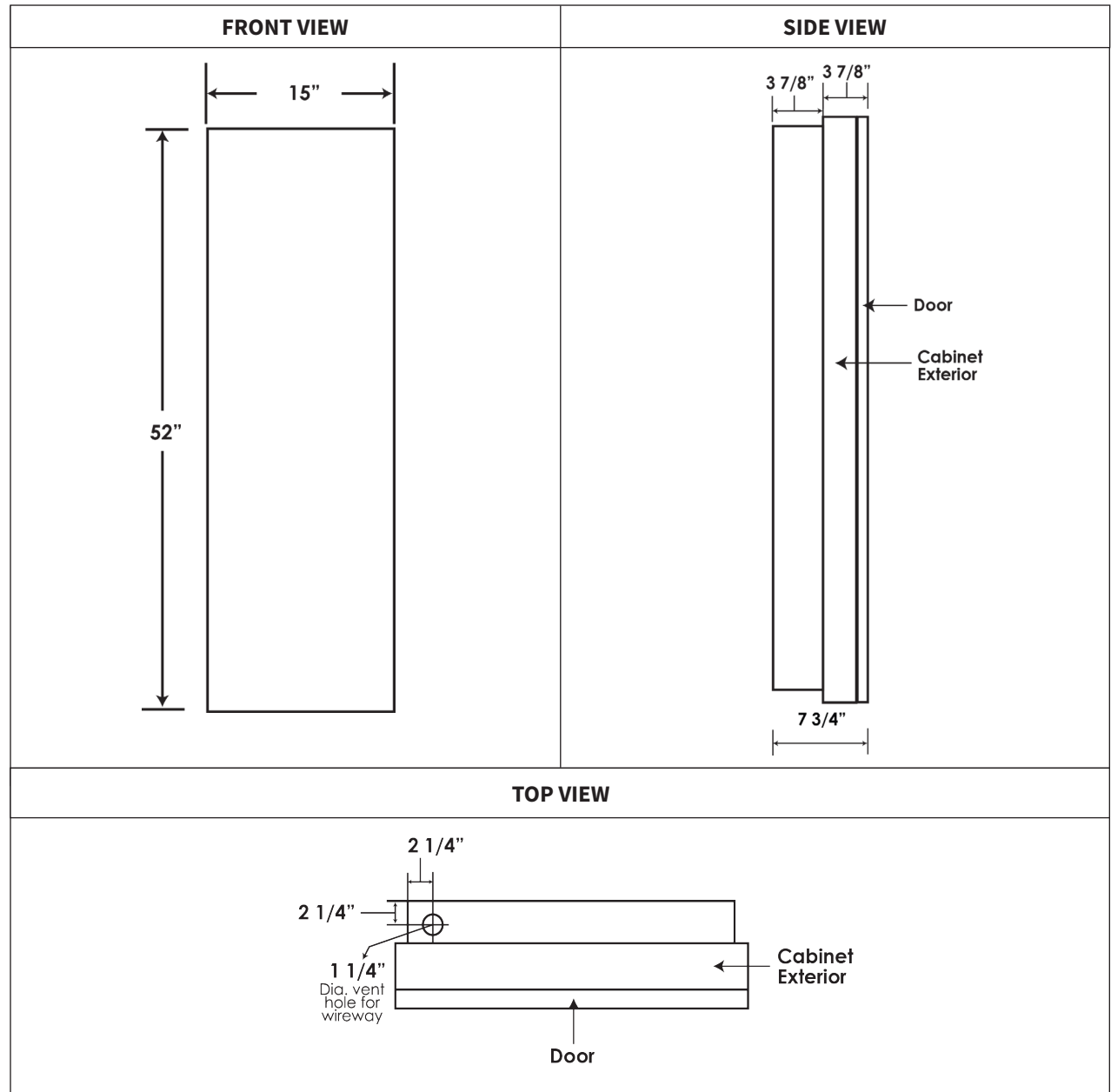
Product Dimensions

OVERALL SIZE	
Cabinet Height	52"
Cabinet Width	15"
Cabinet Depth*	7 3/4"
Door Size	52" H x 15" W x 3/4" D
ROUGH-IN OPENING	
Height	51 1/4"
Width	14 3/8"
Depth*	3 7/8"
DEPTH INTO ROOM	
Recessed*	3 7/8"
Surface Mount*	7 3/4"
CABINET FACE FRAME OVERLAP WHEN RECESSING	
Overlap	3/8"

*Depth includes door

Installation Heights

MOUNTING HEIGHT ABOVE FLOOR	DESIRED IRONING HEIGHT
29"	36"
28"	35"
27"	34"
26"	33"
25"	32"



Board Clearance Requirements

Minimum required space for the ironing board to lower completely.

	RECESSED MOUNT	SURFACE MOUNT
1. Clearance from Wall to Tip of Board	42"	46"
2. Hinge Side Clearance for 180° Degree Door Swing	16"	16"

For Further Review

1. Space required for board to come down flat

To ensure a flat and level ironing surface, be sure to that you have a full 42" in front of the desired installation location when recessing. When surface mounting, ensure there is 46" clearance.

2. Recommended 16" on hinge side for full 180° door swing

While not required, we recommend 16" on hinge side to allow the door to open fully against the wall, ensuring optimal standing area when ironing.

Items to Note:

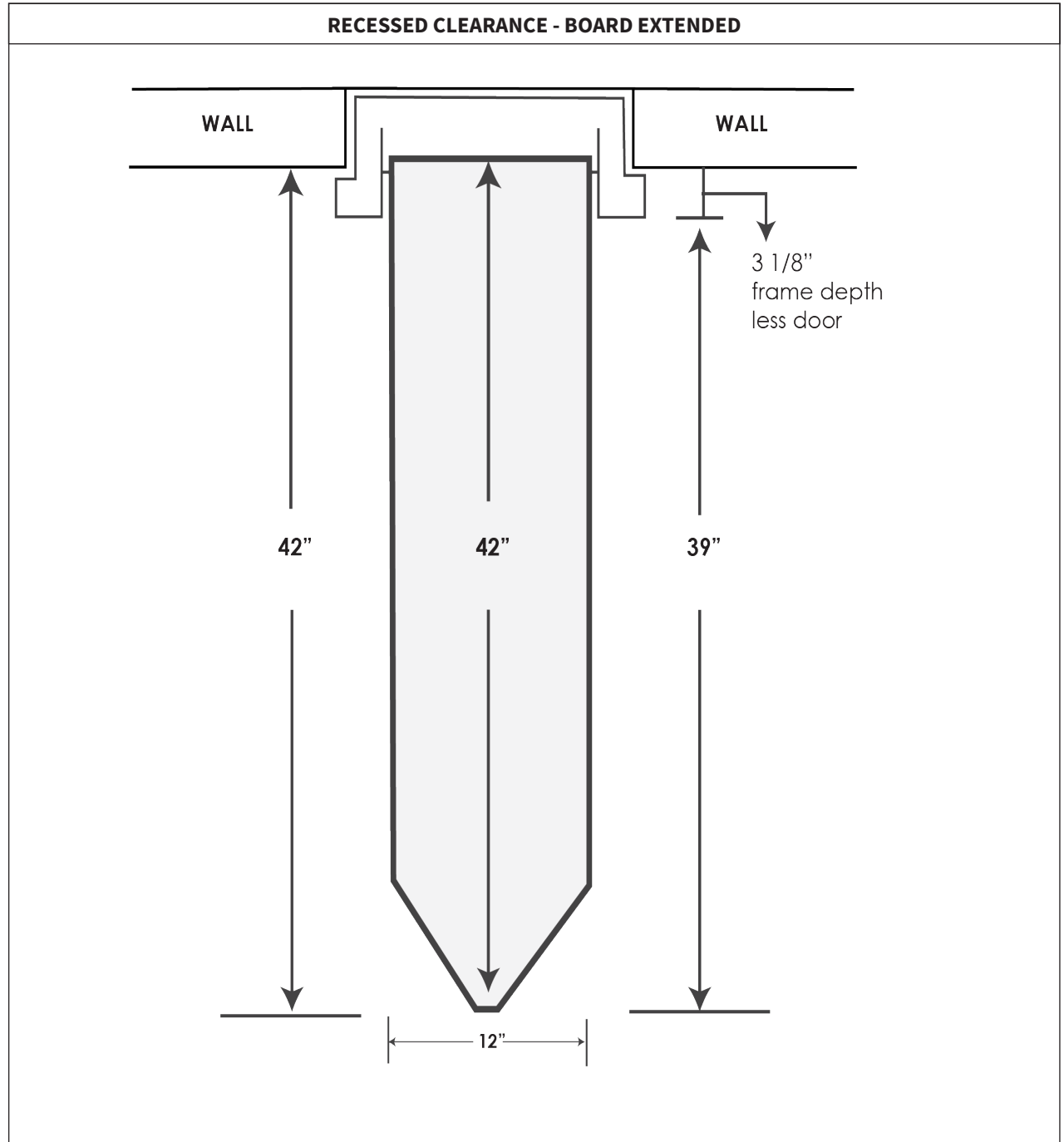
Installation Types

Recessed

Placed into the wall, between 16" on center studs, protruding 3 7/8" into the room. It is recommended to attach a 2" x 4" cleat to studs, level with bottom of the opening to support cabinet when installing.

Surface Mount

Installed directly onto the wall, with no cutout, centered and anchored on secure stud. Will protrude 7 3/4" into room. Optional surface mount kit is available to finish sides of unit and recommended for complete installation.



Items to Note - Continued:

Electrical Requirements for E-42

Unit requires 115/120v, 15 amp. supply line. Pigtails are provided in the bottom of wire raceway for hookup to supply line. Make entrance into knockout provided in top of raceway through left-hand vent hole.

Recommended Standing Room Clearance

Be sure to check that you have adequate standing space (at least 24") to stand beside the ironing board to iron.

Installation Heights

Use the provided **Installation Height Chart** on page 1 to determine your desired ironing board height.

Door

Ironing center comes standard with a flat maple veneer door and a variety of additional door options. Door opens approximately 180°, flush against the wall. Please be sure to allow 16" to the side of unit for the door to open fully open.

Hinge Side

Unit comes standard with the hinge on the right. A left side hinge can be requested when placing order.

Unfinished Cabinet

The exterior of the cabinet is unfinished and ready to be painted or stained to match existing decor.