



**Deluxe Adjustable Swivel
 Non-Electric Ironing Center | ANE-42**

Product Specification Packet

February 2021

Product Dimensions

OVERALL SIZE	
Cabinet Height	52"
Cabinet Width	15"
Cabinet Depth*	7 3/4"
Door Size	52" H x 15 W x 3/4" D

ROUGH-IN OPENING	
Height	51 1/4"
Width	14 3/8"
Depth	3 7/8"

DEPTH INTO ROOM	
Recessed*	3 7/8"
Surface Mount*	7 3/4"

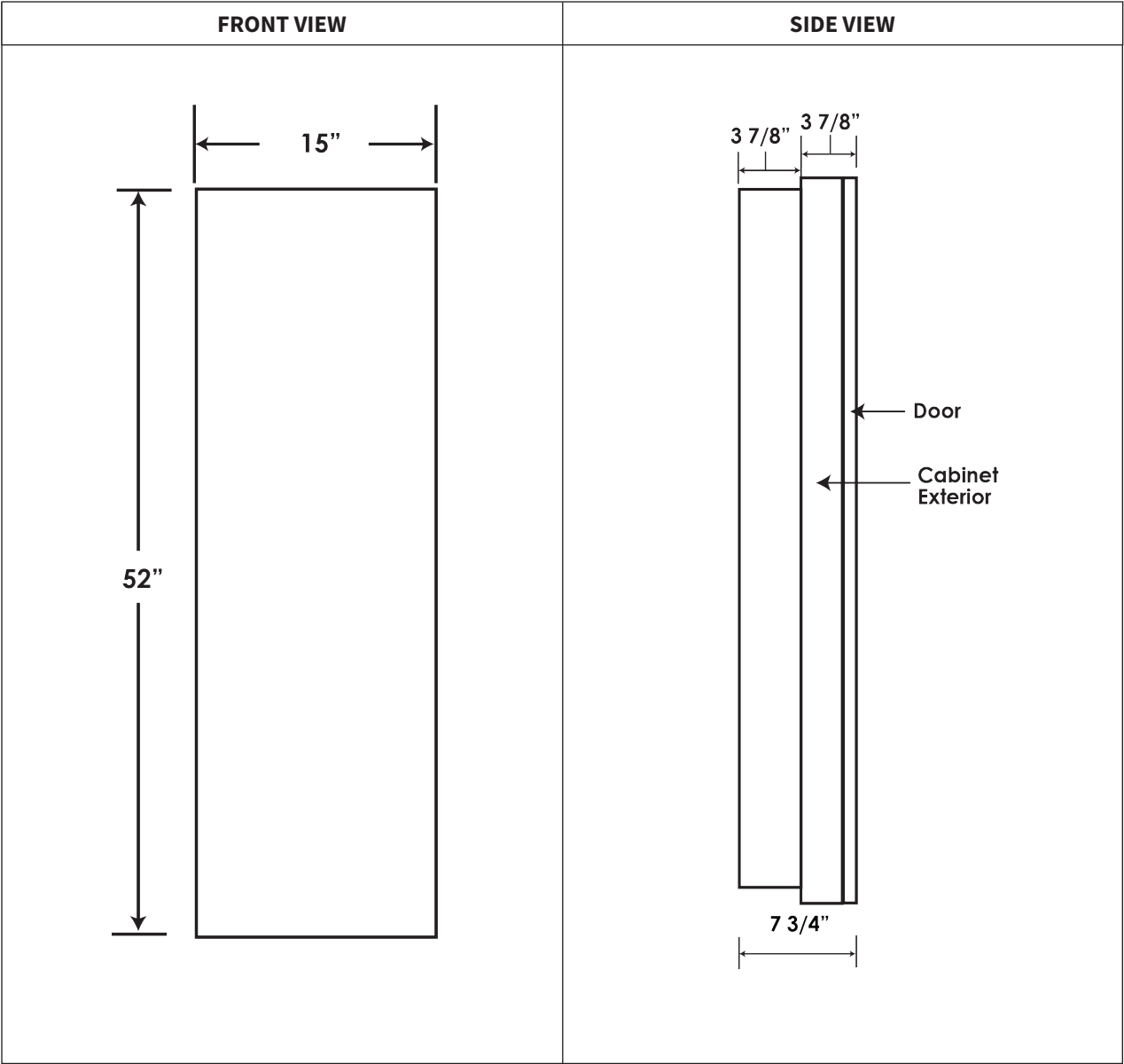
CABINET FACE FRAME OVERLAP WHEN RECESSING	
Overlap	3/8"

*Depth includes door

Installation Heights

MOUNTING HEIGHT ABOVE FLOOR	DESIRED IRONING HEIGHT	ADJUSTED POSITION HEIGHT
29"	36"	40"
28"	35"	39"
27"	34"	38"
26"	33"	37"
25"	32"	36"

Note: The ironing board automatically engages to lower position each time the board is lowered for use. Higher position requires adjustment and engages back to low position each time the board is put away.



Swivel Clearance Requirements

Minimum required space for the ironing board to lower completely and swivel without hitting an obstacle.

	RECESSED MOUNT	SURFACE MOUNT
1. Clearance from Wall to Tip of Ironing Board	46 7/8"	50 7/8"
2. Left/Right Clearance for Swivel	14 5/8" 13 1/8"	14 5/8" 13 1/8"
3. Hinge Side Clearance for 180° Degree Door Swing	16"	16"

For Further Review

1. Board MUST come down fully in order to swivel

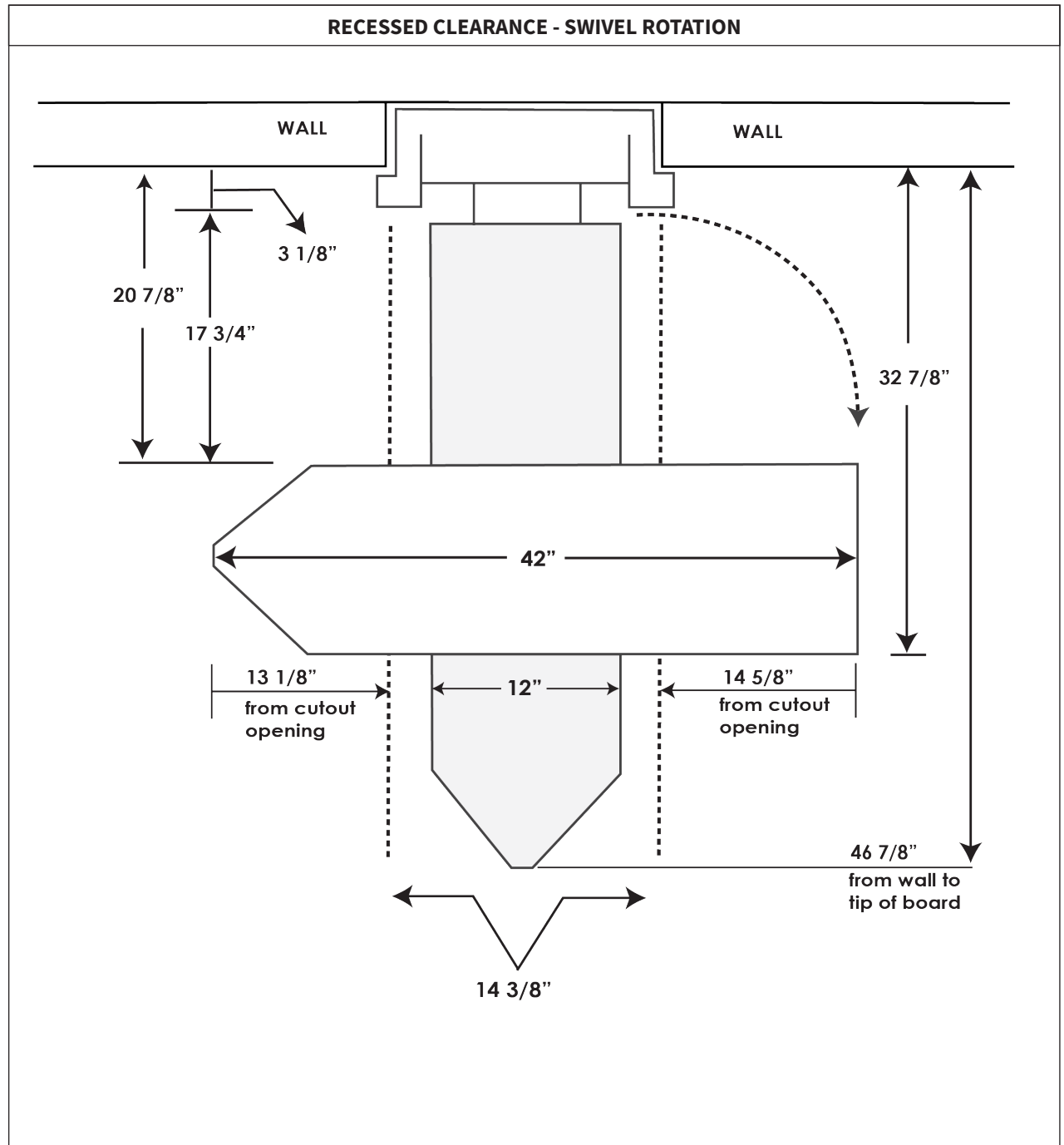
Because the ironing board needs to clear the sides of the cabinet before it can swivel, the board needs to *be able to drop down all the way to engage the swivel mechanism*, requiring 46 7/8" in front of the recessed unit, or 51" clearance for surface mount units.

2. Adequate space required on both sides of cabinet for board to swivel

Because the swivel mechanism is positioned under the middle portion of the ironing board, you will want to ensure proper clearance on both sides of the unit, regardless of which direction you will be swiveling the board. The minimum requirement needed to swivel the board 90° to the left is 14 5/8" to the right of the cabinet and 13 1/8" to the left. To ensure the board can swivel both directions, you will need 14 5/8" on both sides of the cabinet.

3. Door MUST be able to open 180°

The door needs to open flush against the wall in order for the swivel to freely turn left or right, requiring 16" on the hinge side for a flush open. Door can be hinged on either the left or right side of the ironing center.



Items to Note:

Installation Types

Recessed

Placed into the wall, between 16" on center studs, protruding 3 7/8" into the room. It is recommended to attach a 2" x 4" cleat to studs, level with bottom of the opening to support cabinet when installing.

Surface Mount

Installed directly onto the wall, with no cutout, centered and anchored on a secure stud, protruding 7 3/4" into room. Surface mount kit is available as add-on feature to finish sides of unit and recommended for complete installation.

Recommended Standing Room Clearance

Be sure to check that you have adequate standing space (at least 24") to stand beside the ironing board to iron.

Installation Heights

Use the provided **Installation Height Chart** on page 1 to determine your desired ironing board height, making note of the two height positions of the board. The ***Desired Ironing Board Height*** is the first position in which the board is automatically placed in when first lowering the board. The ***Adjusted Position*** is 4" higher and can be engaged after the board has been fully lowered.

Swivel

Swivel feature allows board to turn 90° in either direction, for a full 180° swivel, with five locking positions.

Door

Ironing center comes standard with a flat maple veneer door and a variety of additional door options. Door opens approximately 180°, flush against the wall. Please be sure to allow 16" to the side of unit for the door to open fully open.

Hinge Side

Unit comes standard with the hinge on the right. A left side hinge can be requested when placing order.

Unfinished Cabinet

The exterior of the cabinet is unfinished and ready to be painted or stained to match existing decor.