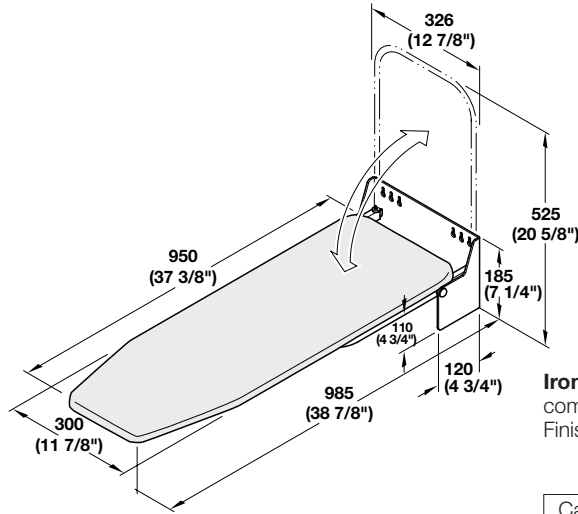


Ironing Board for Wall Mounting



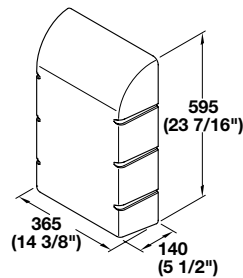
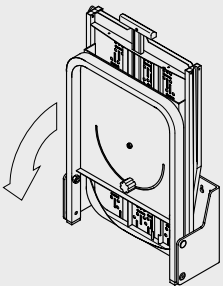
- Turning mechanism; swivel range 180°
- Can be locked in left, right, or inclined position.



Ironfix™ wall-mounting ironing board,
 complete set including assembly materials,
 Finish: steel, epoxy-coated, white RAL 9016
 Cover: natural white cotton with gray stripes,
 foam-backed.

Cat. No. 568.66.700
 Packing: 1 pc.

Organizational Products for Kitchen, Bath, Closet and Home Entertainment



Wall Cover, optional
 with slightly structural surface
 Finish: polystyrene, white RAL 9016

Cat. No. 568.66.790
 Packing: 1 pc.



Replacement cover, for ironing board
 with elastic tensioning cord, natural white cotton with
 gray stripes, foam-backed.

Cat. No. 568.60.907
 Packing: 1 pc.

Dimensional data not binding.
 We reserve the right to alter
 specifications without notice.