



MODEL TRCe800V

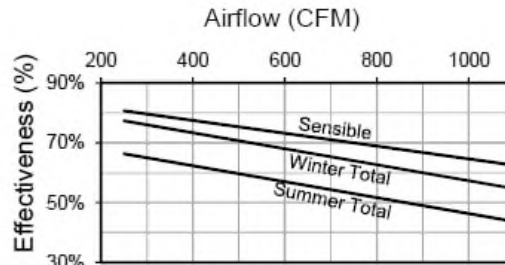
(Energy Recovery Ventilators (ERV) with EC Motor)



Specifications

Ventilation Type: Static Plate, Heat and Humidity Transfer					
Typical Airflow Range: 250-1,100 CFM					
AHRI 1060 Certified Core: One L125-G5					
Airflow Rating Points (for AHRI): 750 CFM and 563 CFM					
Motors: Qty. 2, 0.5 HP ea., Direct drive EC blower/motor packages					
V	Hz	Phase	FLA (per motor)	Min. Cir. Amps	Max. Overcurrent Protection Device
120	60	Single	8.1	18.2	25
208-230	60	Single	4.8	10.8	15
Standard Features: Non-fused disconnect 24 VAC transformer/relay package Cross-core differential pressure ports					
Filters: Two total, MERV 8, 2" pleated, 20" x 20" nominal size					
Weight: 204-275 lbs., varies by option(s) (unit), 325 lbs (shipping weight)					
Shipping Dimensions: 30" L x 42" W x 71" H					

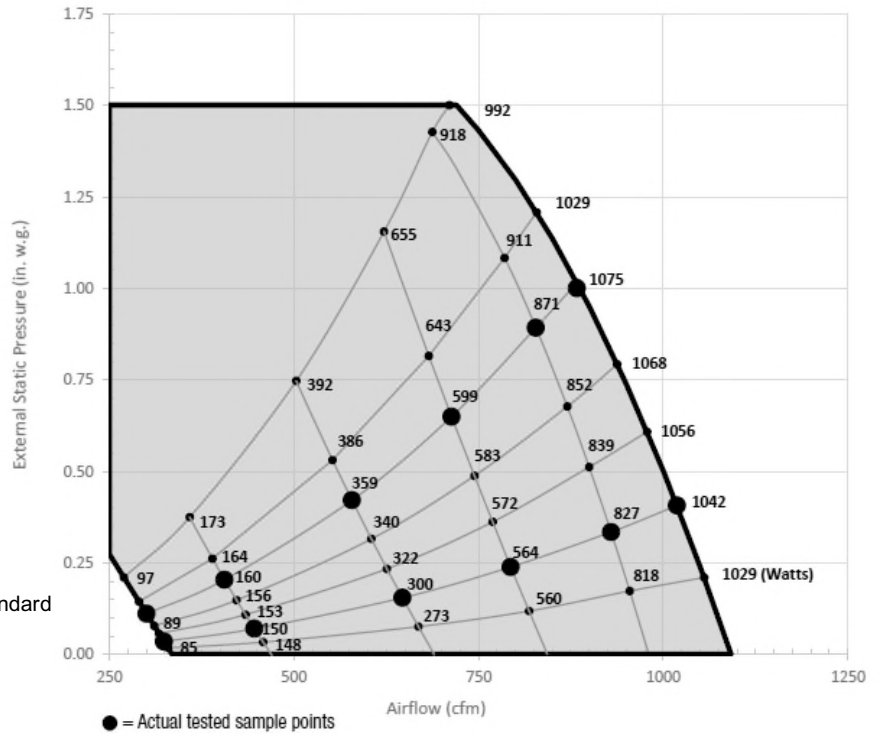
Core Performance



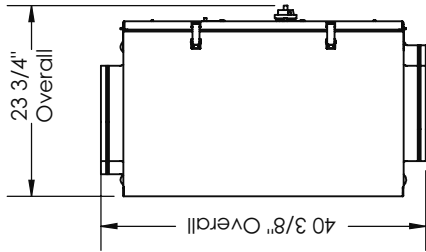
Performance

Airflow CFM	ESP in H ₂ O	Watts
324	0.04	86
446	0.07	150
647	0.15	300
794	0.24	564
929	0.33	827
1019	0.41	1042
300	0.11	91
406	0.20	160
579	0.42	359
713	0.65	599
828	0.89	871
883	1.00	1075

Note: Watts is for the entire unit.
Note: Airflow performance includes effect of clean, standard filter supplied with unit.



Dimensions



ABBREVIATIONS

- EA: Exhaust Air To Outside
- OA: Outside Air Intake
- RA: Room Air to be Exhausted
- FA: Fresh Air to Inside

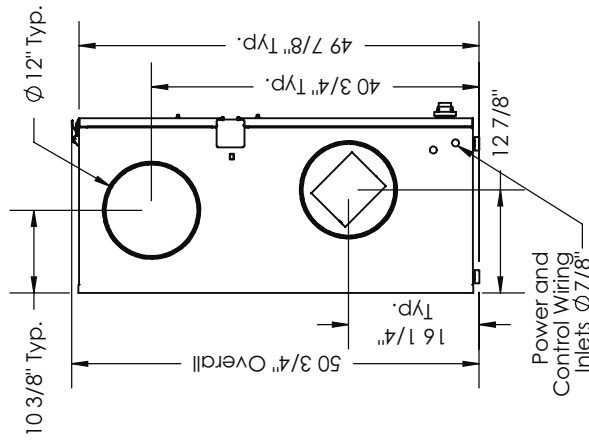
INSTALLATION ORIENTATION

Unit may be installed in any orientation.

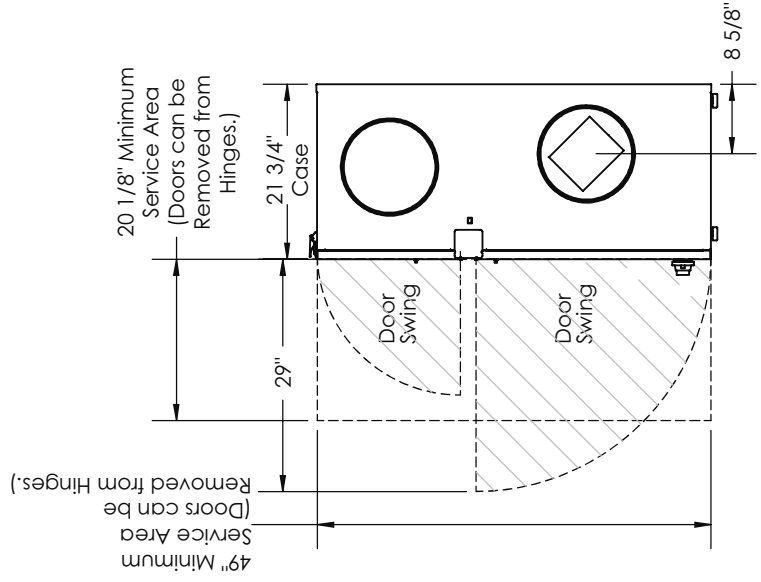
NOTE

UNLESS OTHERWISE SPECIFIED, DIMENSIONS ARE ROUNDED TO THE NEAREST EIGHTH OF AN INCH.

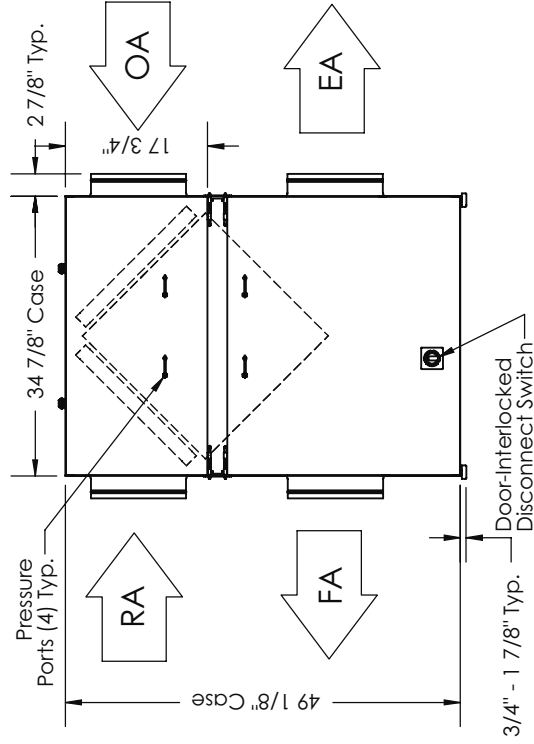
TOP VIEW



LEFT VIEW



RIGHT VIEW



FRONT VIEW