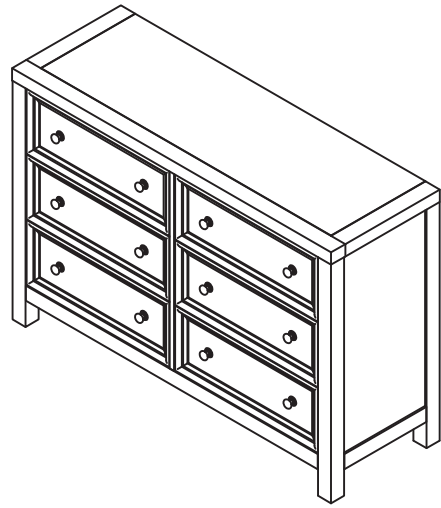




20 05420 0431

Dresser



IMPORTANT

Carefully remove all the parts from the carton and place them individually on a soft cloth to prevent scratches or other damage.









Carefully and strictly follow these assembly instructions to ensure a completed product as designed.

Do not use power tools above 8 volts to assemble.

Part List

- A. Top 1 pc.
- E. Front Rail 1 pc.
- F. Front Rail 1 pc.
- I. Back Rail 1 pc.
- J. Support 1 pc.
- K. Center Leg 1 pc.
- H. Back Panel 1 pc.
- G. Back Panel 1 pc.
- L1. Drawer Front 6 pcs.
- L2. Drawer Back 6 pcs.
- L3. Drawer Side 2 pcs.
- L4. Drawer Side 2 pcs.
- L5. Drawer Bottom 2 pcs.
- M5. Drawer Bottom 4 pcs.

Hardware List

 Cam Lock Screw 40 pcs. (+4 extra)	 Cam Lock 40 pcs. (+4 extra)	 1 1/4" Round Head Screw (M4x32) 6 pcs. (+1 extra)	 1 1/4" Flat Head Screw (M3x32) 90 pcs. (+1 extra)
 3/4" Flat Head Screw (M3x19) 36 pcs. (+1 extra)	 Handle 12 pcs.	 Machine Screw (M4"x1") 12 pcs.	 Wooden Dowel 2 pcs. (+1 extra)

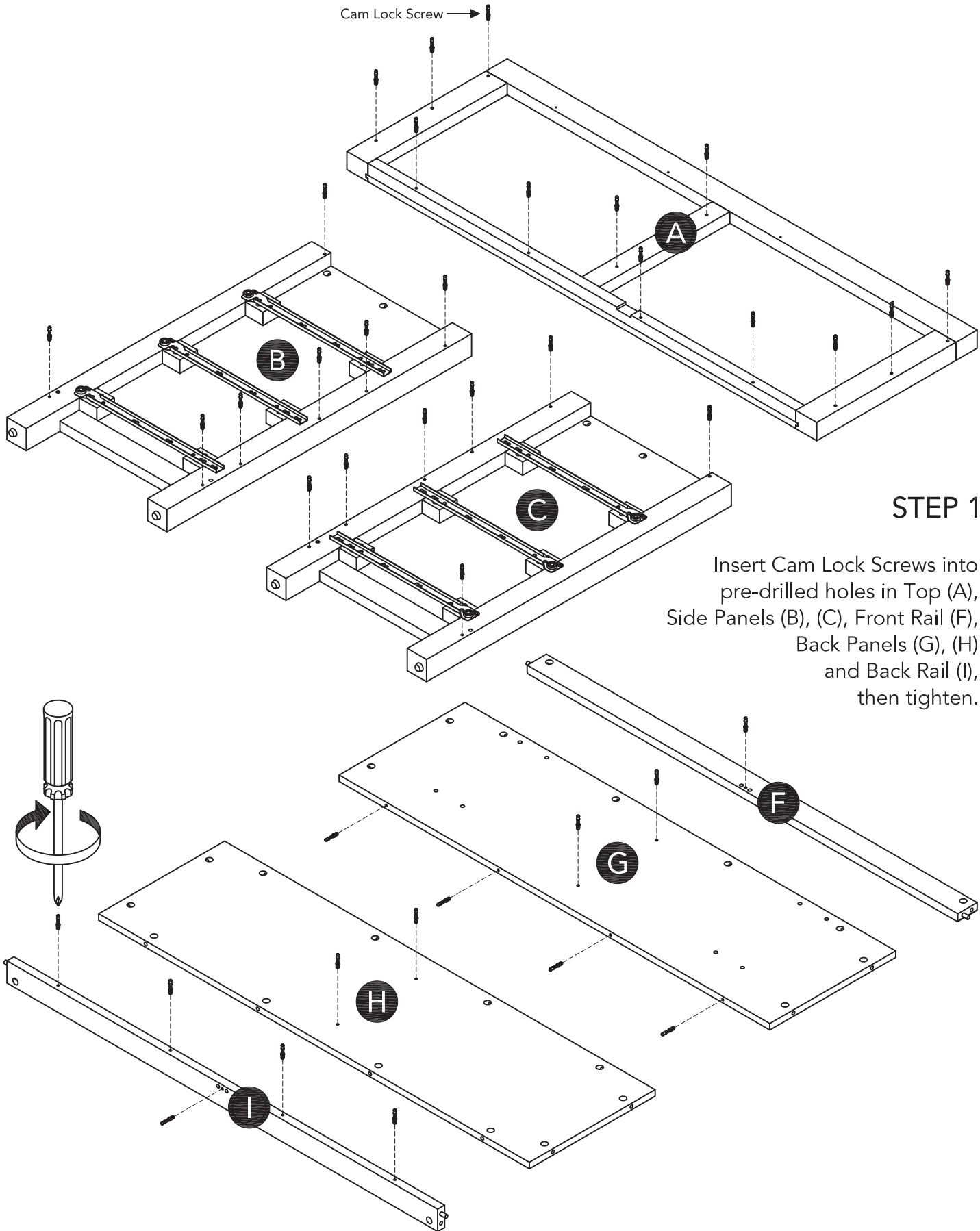
Carton 20 05420 0432 is also needed for assembly.

Home Styles Customer Service: www.homestyles-furniture.com,
servicedesk@homestyles-furniture.com, 888-680-7460, 877-831-0319

Assembly Instructions 2/10

IMPORTANT

- Use a soft cloth between these parts and the floor.
- Do not use power tools above 8 volts to assemble.
- Do not tighten all the screws until each part is properly assembled.
- The unit must be level to work properly. Use the included adjustable levelers to level.



STEP 1

Insert Cam Lock Screws into pre-drilled holes in Top (A), Side Panels (B), (C), Front Rail (F), Back Panels (G), (H) and Back Rail (I), then tighten.

Assembly Instructions 3/10

STEP 2

Attach Back Panel (G) and Back Rail (I) to Back Panel (H) with Cam Locks. (See Figure 1)

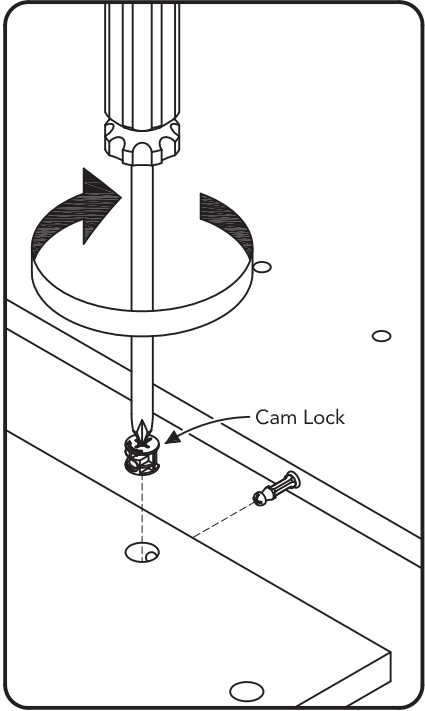
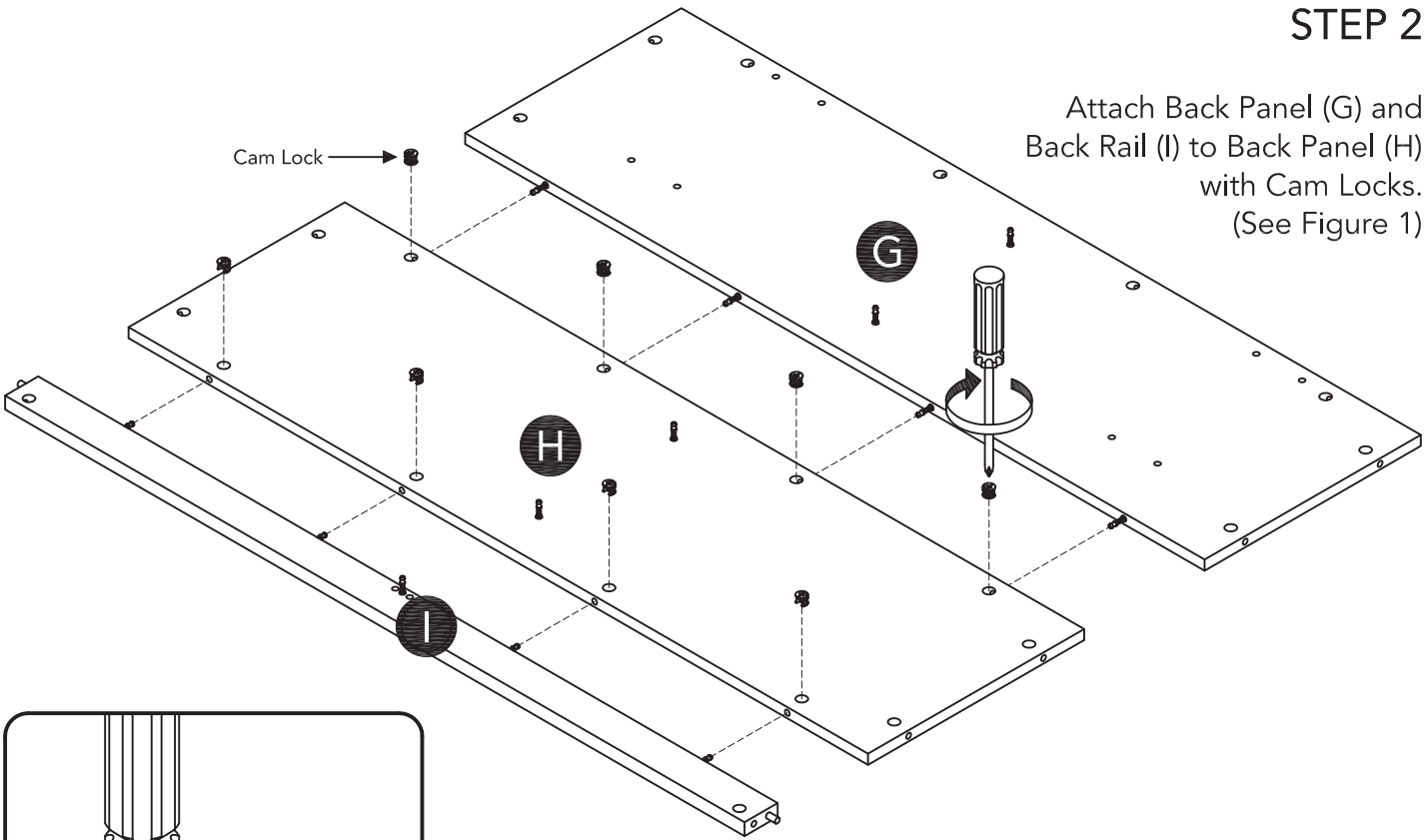
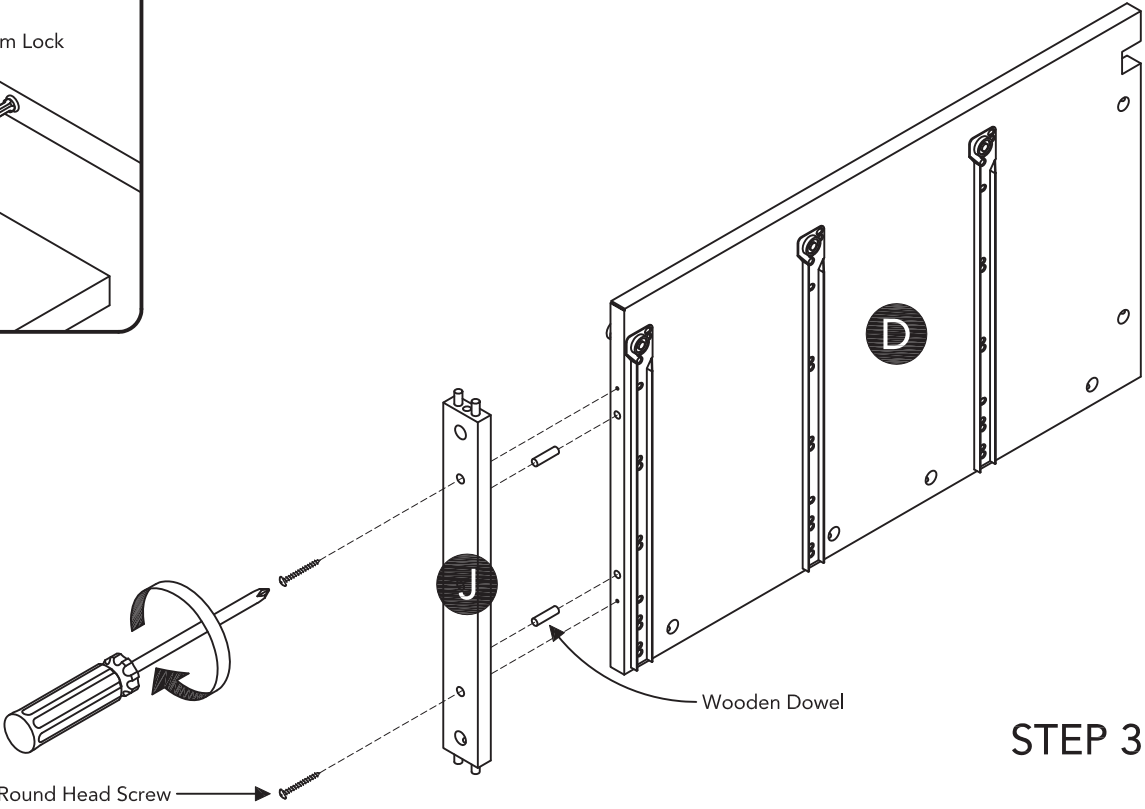


Figure 1



STEP 3

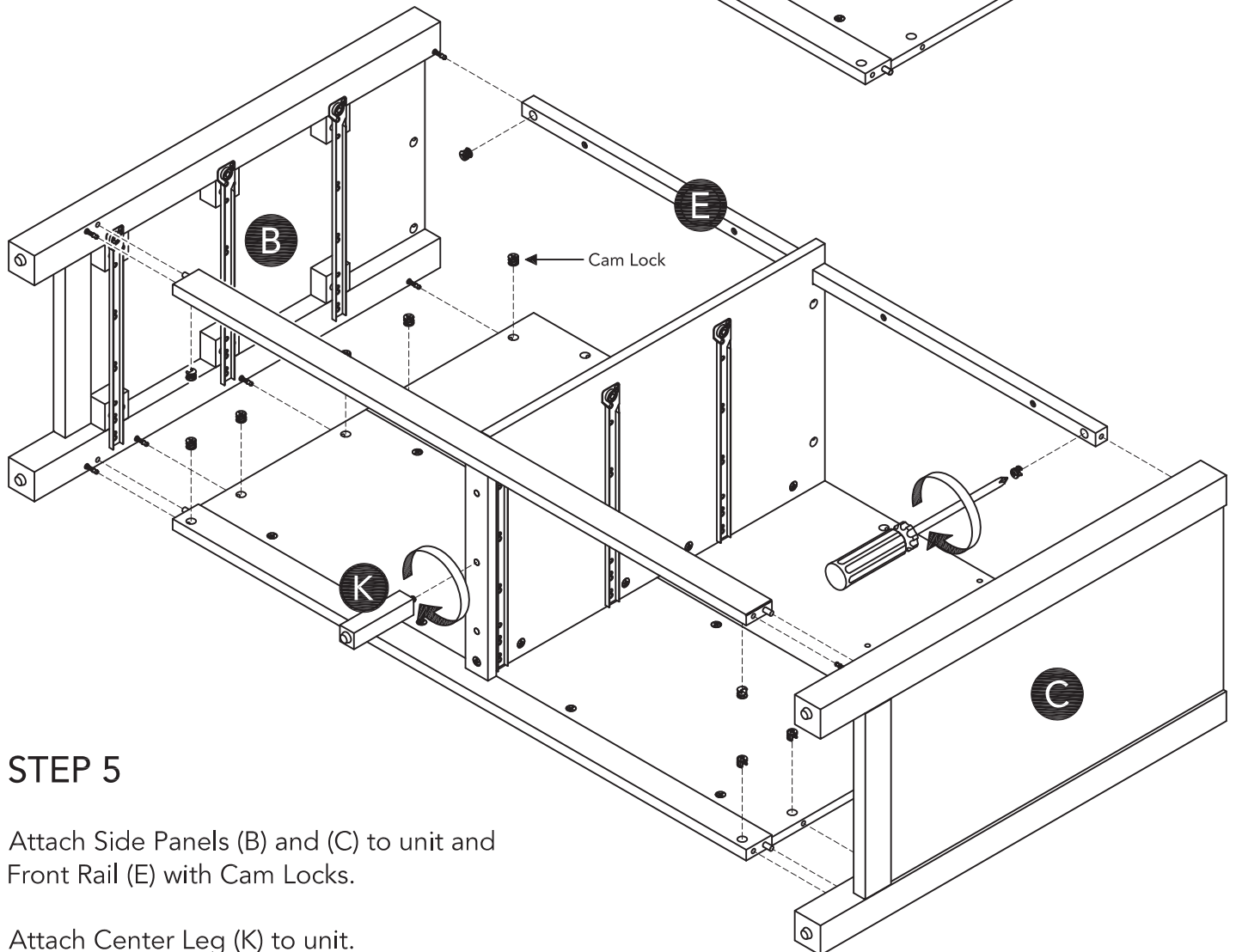
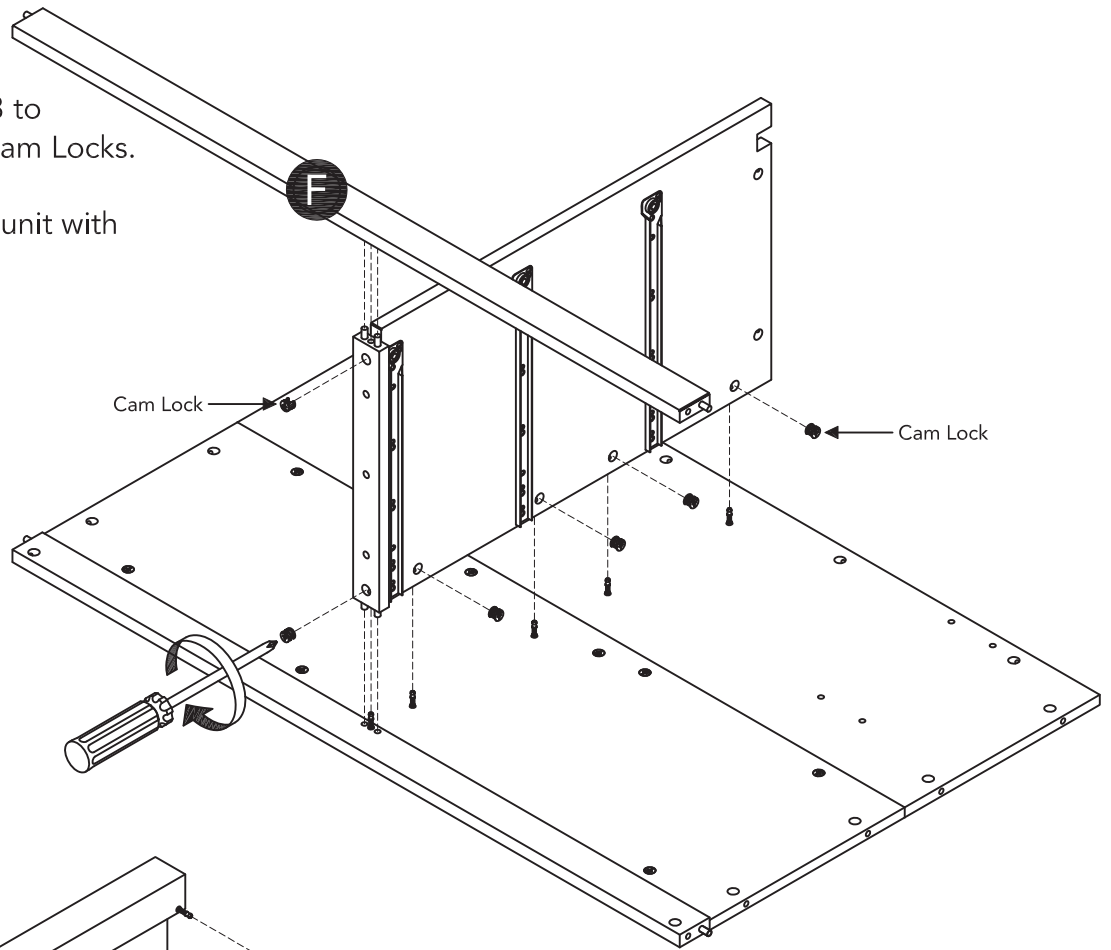
Attach Support (J) to Middle Panel (D) with 1 1/4" Round Head Screws and Wooden Dowels.

Assembly Instructions 4/10

STEP 4

Attach unit from Step 3 to unit from Step 2 with Cam Locks.

Attach Front Rail (F) to unit with Cam Lock.



STEP 5

Attach Side Panels (B) and (C) to unit and Front Rail (E) with Cam Locks.

Attach Center Leg (K) to unit.

Assembly Instructions 5/10

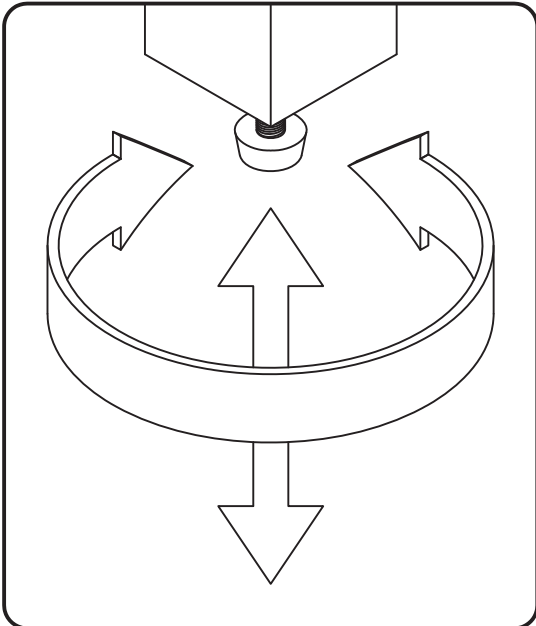
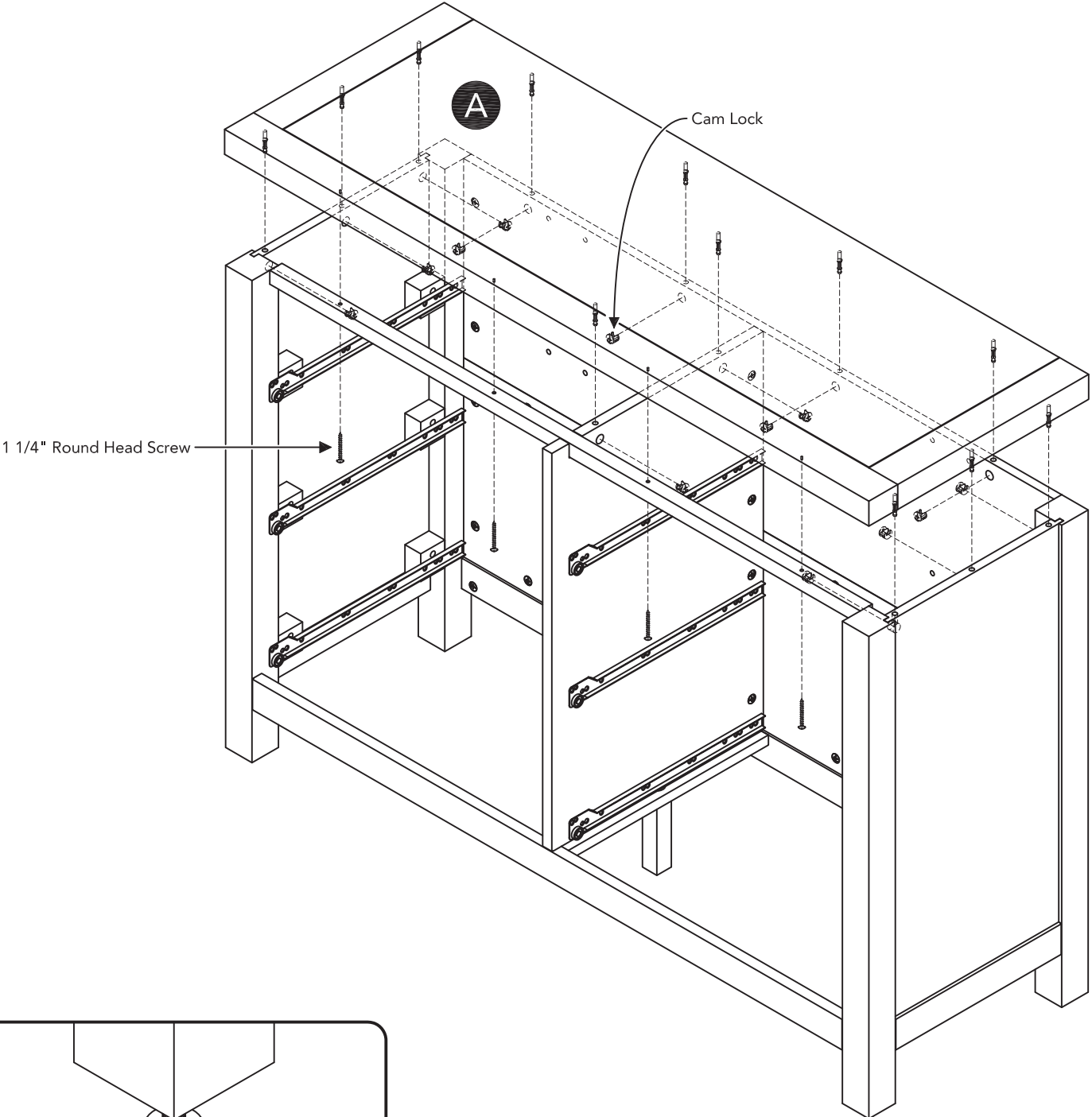


Figure 2

STEP 6

Attach Top (A) to unit with Cam Locks and 1 1/4" Round Head Screws.

Level unit by adjusting the adjustable levelers on bottom of unit. (See Figure 2)

Note: Unit must be level to work properly.