

IMPORTANT

Carefully remove all the parts from the carton and place them individually on a soft cloth to prevent scratches or other damage.

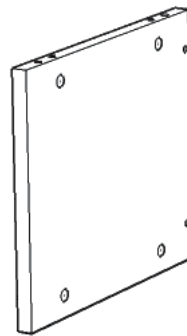
Carefully and strictly follow these assembly instructions to ensure a completed product as designed.

Do not use power tools above 8 volts to assemble.

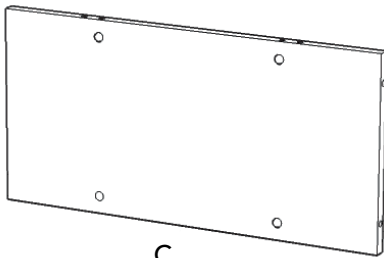
Part List



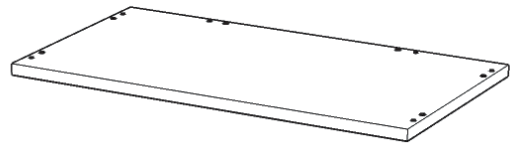
A.
Cushion
1 pc.



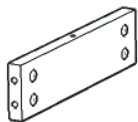
B.
Side Panel
2 Pcs.



C.
Back Panel
1 pc.



D.
Base
1 Pc.



E.
Plinth
2 Pcs.



F.
Plinth
2 Pcs.

Hardware List



Cam Lock Screw
20 pcs. (+1 extra)



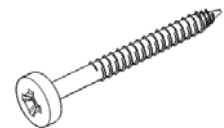
Cam Lock
20 pcs. (+2 extra)



Plastic Cap
12 pcs. (+2 extra)



Dowel
20 pcs. (+2 extra)



M3.5x64
Wood Screw
8 pcs. (+1 extra)

Tool(s) required for assembly: Phillips screwdriver, Level

Assembly Instructions 2/4

IMPORTANT

- Use a soft cloth between these parts and the floor.
- Do not use power tools above 8 volts to assemble.
- Do not tighten all the bolts until each part is properly assembled.
- Keep Hex Wrench as the bolts may need to be tightened in the future.

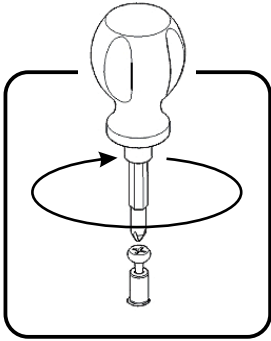
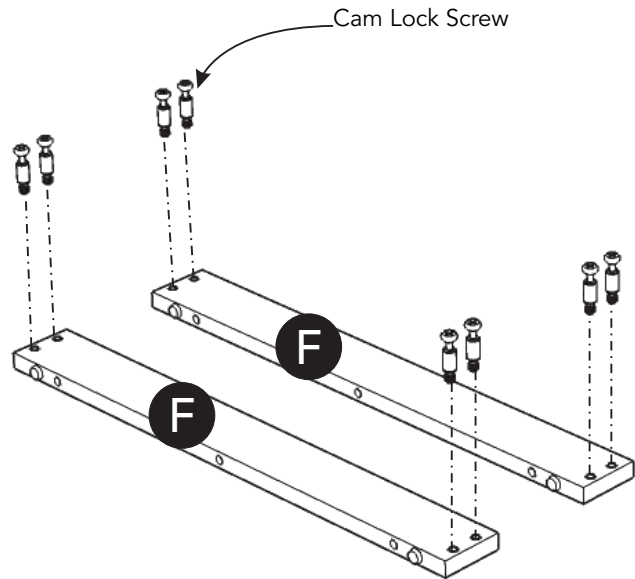


Figure 1



STEP 1

Insert Cam Lock Screws into pre-drilled holes in Plinths (F), then tighten.
(See Figure 1)

STEP 2

Attach Plinths (E) to Plinths (F) with Cam Locks. (See Figure 2)

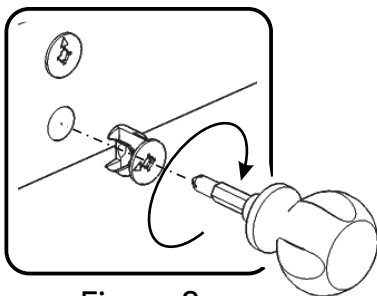
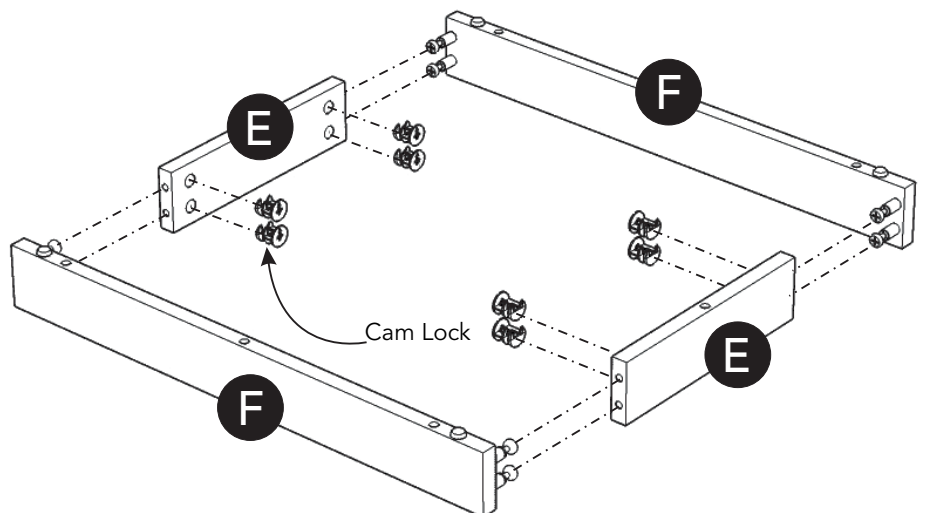


Figure 2

Assembly Instructions 3/4

STEP 3

Place Base (D) upside down on a soft cloth.

Insert Dowels into pre-drilled holes in Base (D).

Attach unit to Base (D) with Wood Screws.
(See Figure 3)

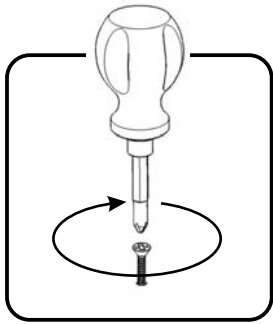
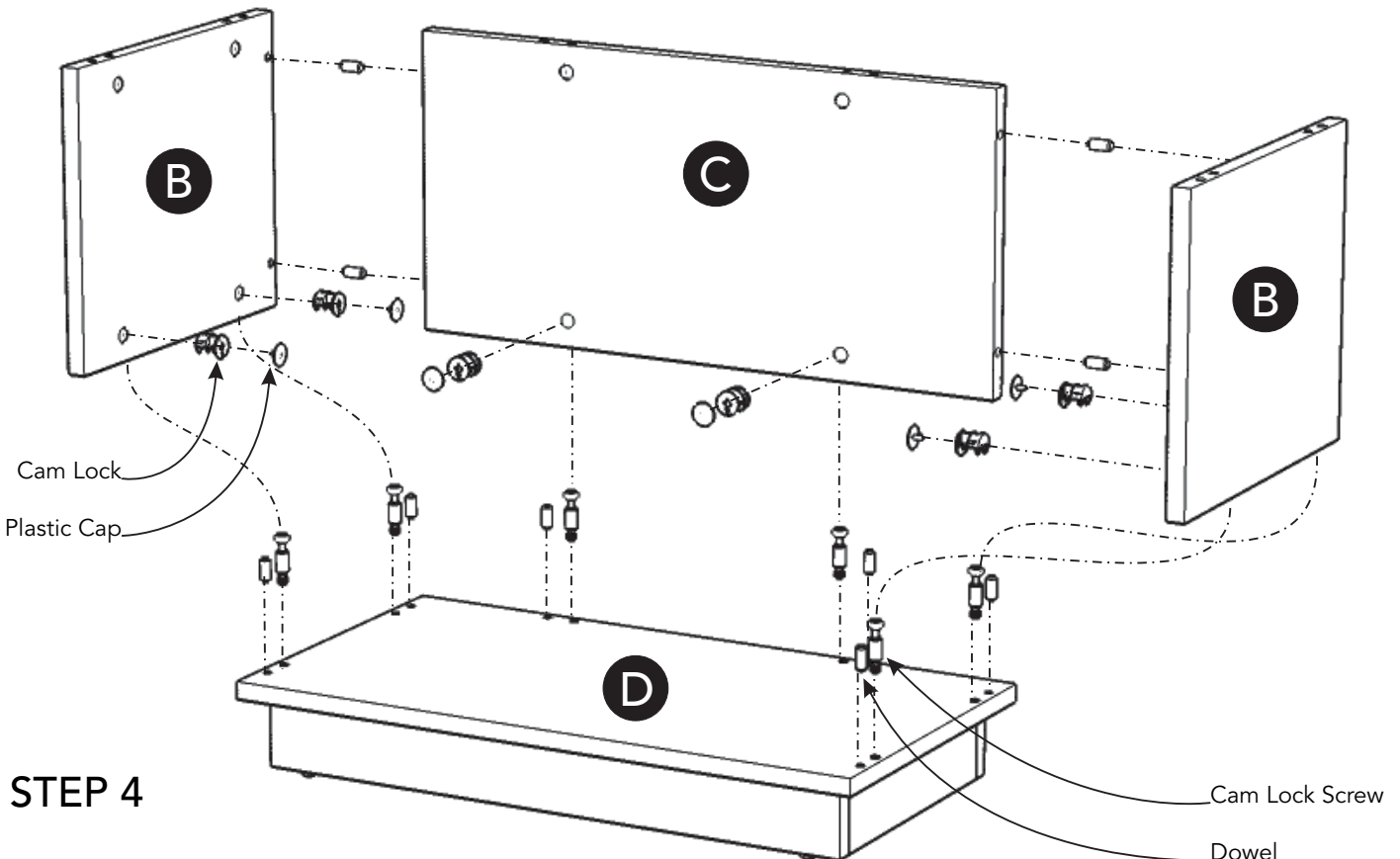
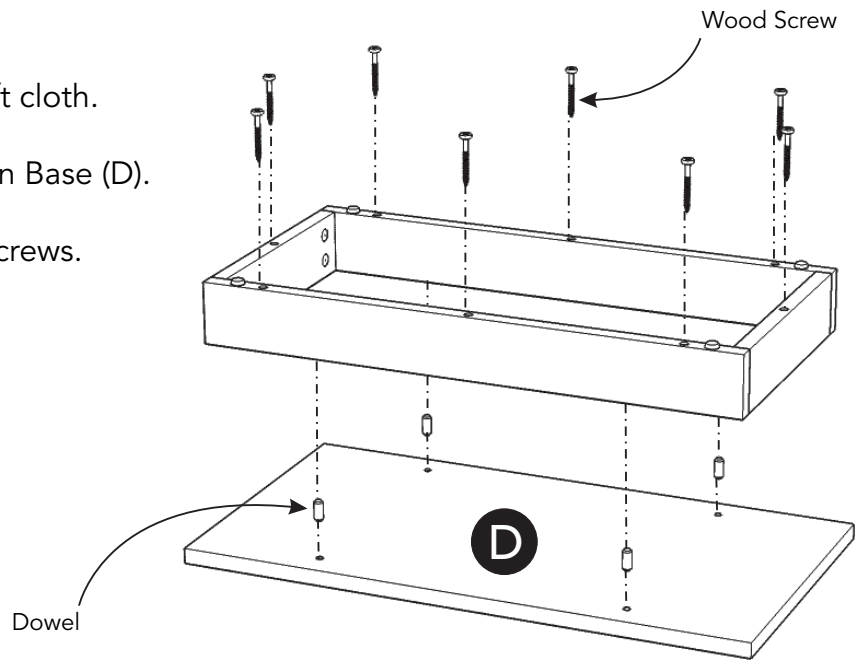


Figure 3



STEP 4

Turn unit over to its' upright position.

Insert Dowels and Cam Lock Screws into pre-drilled holes in Base (D).

Insert Dowels into pre-drilled holes in Back Panel (C).

Attach Side Panels (B) to Back Panel (C), then attach to unit with Cam Locks.

Attach Plastic Caps to Cam Locks. (See Figure 4)

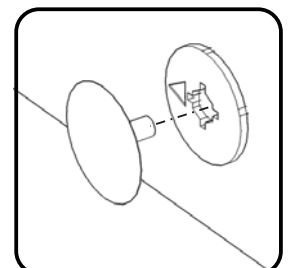
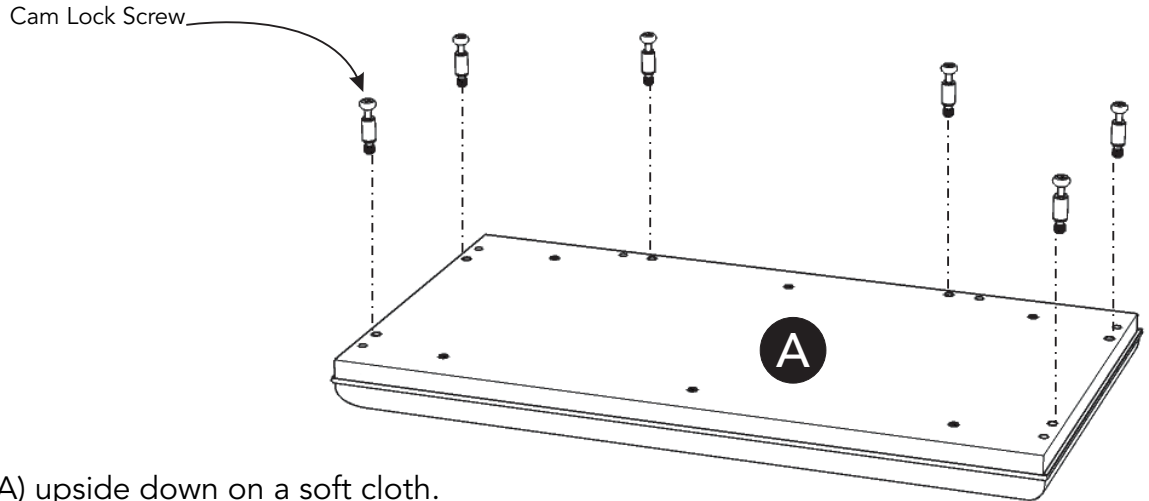


Figure 4

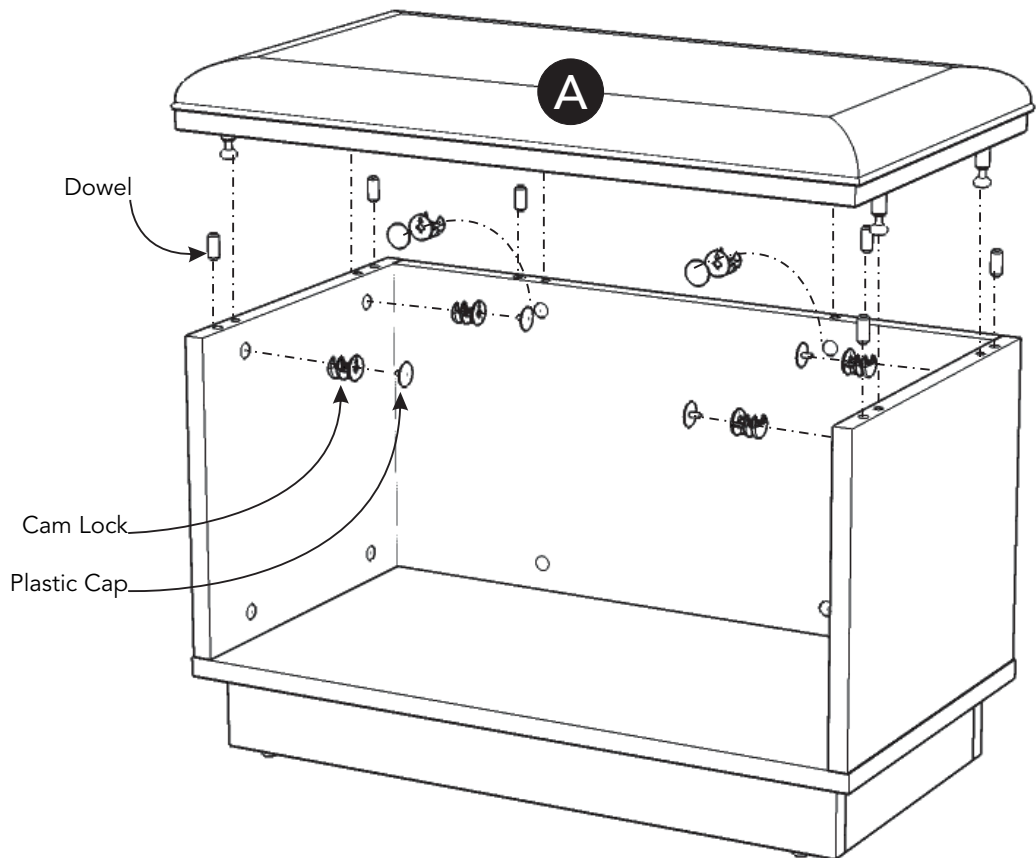
Assembly Instructions 4/4



STEP 5

Place Cushion (A) upside down on a soft cloth.

Insert Cam Lock Screws into pre-drilled holes in Top (A).



STEP 6

Insert Dowels into pre-drilled holes in unit.

Attach Cushion (A) to unit with Cam Locks.

Attach Plastic Caps to Cam Locks.

CARE INSTRUCTIONS

NEVER

allow liquids to remain on furniture.
Absorption causes parts to warp
and split and finishes to delaminate.

NEVER

use glass cleaners on
finished furniture. Ammonia
chemically attacks the finish.



Do not use power tools
above 8 volts to assemble.
**PREVENT
CRACKING**



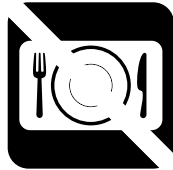
Do not place
in direct sunlight.
**PREVENT
FADING**



Do not write
directly on surface.
**PREVENT
MARKING**



Do not place hot
objects on surface.
**PREVENT
FINISH DAMAGE**



Do not use rubber
based placemats.
**PREVENT
DISCOLORING**



Do not use commercial
waxes and polishes.
**PREVENT
YELLOWING**

CLEAN

with a soft cloth moistened
in lukewarm soap and water.
Buff with a dry clean cloth.



Home Styles will provide replacements free of charge for missing or damaged hardware or parts within 30 days of purchase. Digital images of the defective parts may be required. If the product was not purchased from an authorized retail affiliate, Home Styles is under no obligation to provide replacement parts. Parts are not available for fully assembled items nor are parts available for sale. Replacements for missing or damaged hardware or parts may be requested at: