

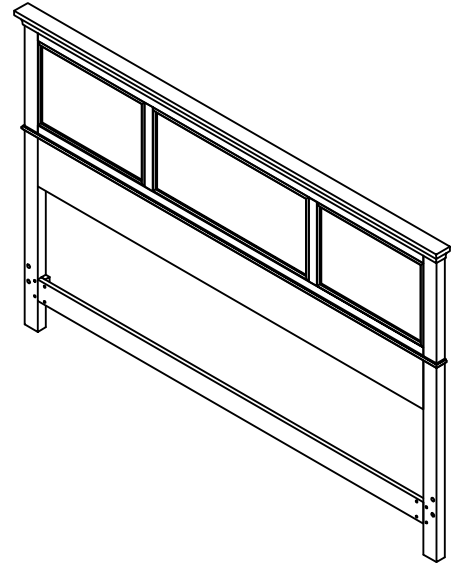
Bedford King Headboard

IMPORTANT NOTE

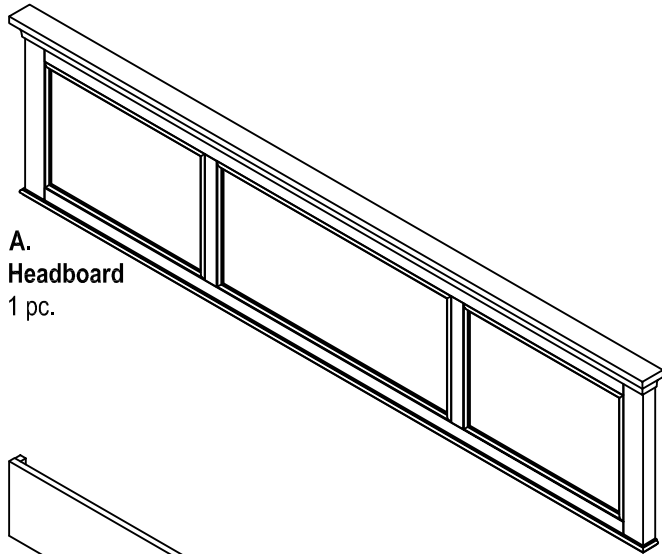
Carefully remove all the parts from the carton and put them individually on a soft cloth to prevent scratches or other damages occurring to the parts.

We have taken great care in the design of this product and request that you carefully and strictly follow our assembly instructions to ensure a completed product as it was designed.

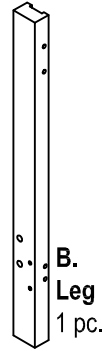
*Home
Styles*



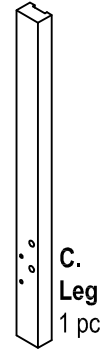
Part List



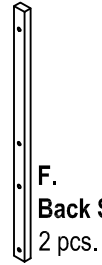
A.
Headboard
1 pc.



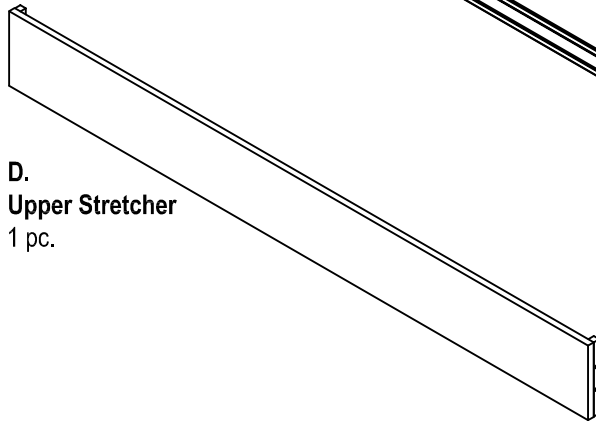
B.
Leg
1 pc.



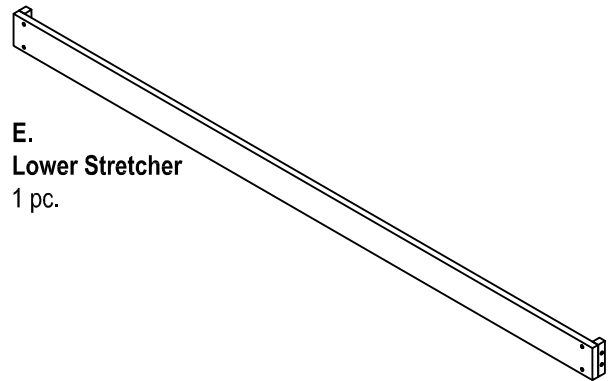
C.
Leg
1 pc.



F.
Back Support
2 pcs.



D.
Upper Stretcher
1 pc.

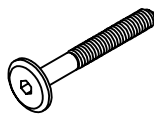


E.
Lower Stretcher
1 pc.

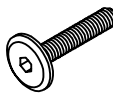
Hardware List



Allen Key
1 pc.



Bolt (Long)
8 pcs. (+1 extra)



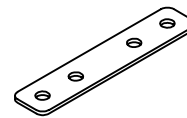
Bolt (Middle)
8 pc. (+1 extra)



Bolt (Short)
8 pcs. (+1 extra)



Flat Washer
8 pcs. (+1 extra)



Back Bracket
2 pcs.

Assembly Instructions 2/2

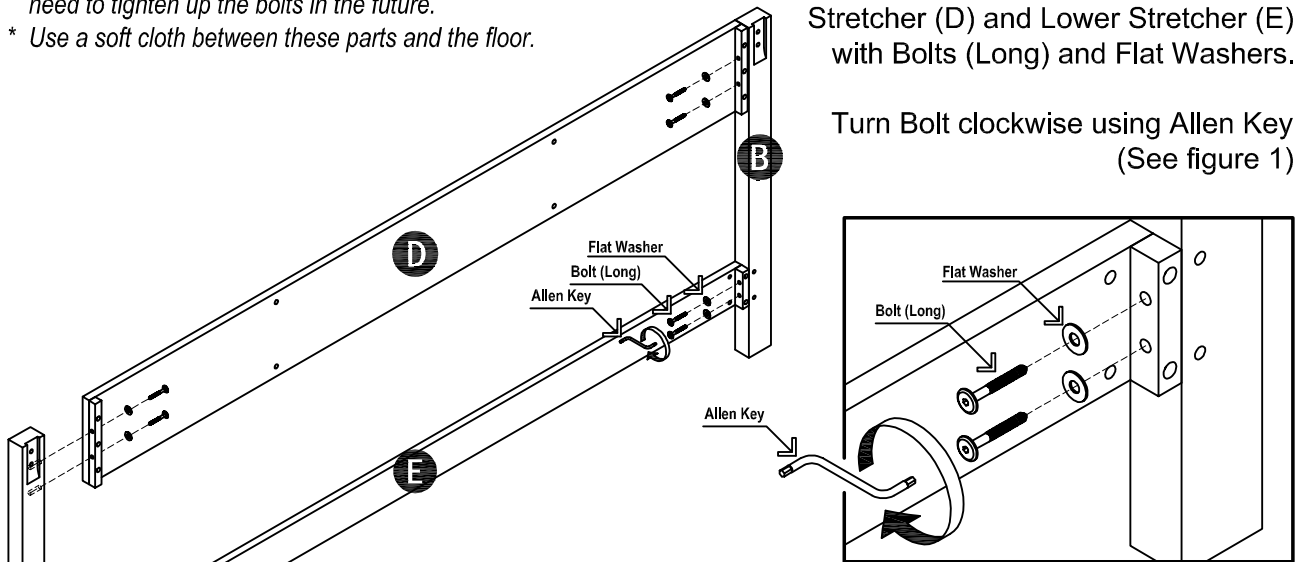
IMPORTANT

- * Do not tighten up all the bolts until each part is properly assembled.
- * You should keep Allen Key in a safe place as you may need to tighten up the bolts in the future.
- * Use a soft cloth between these parts and the floor.

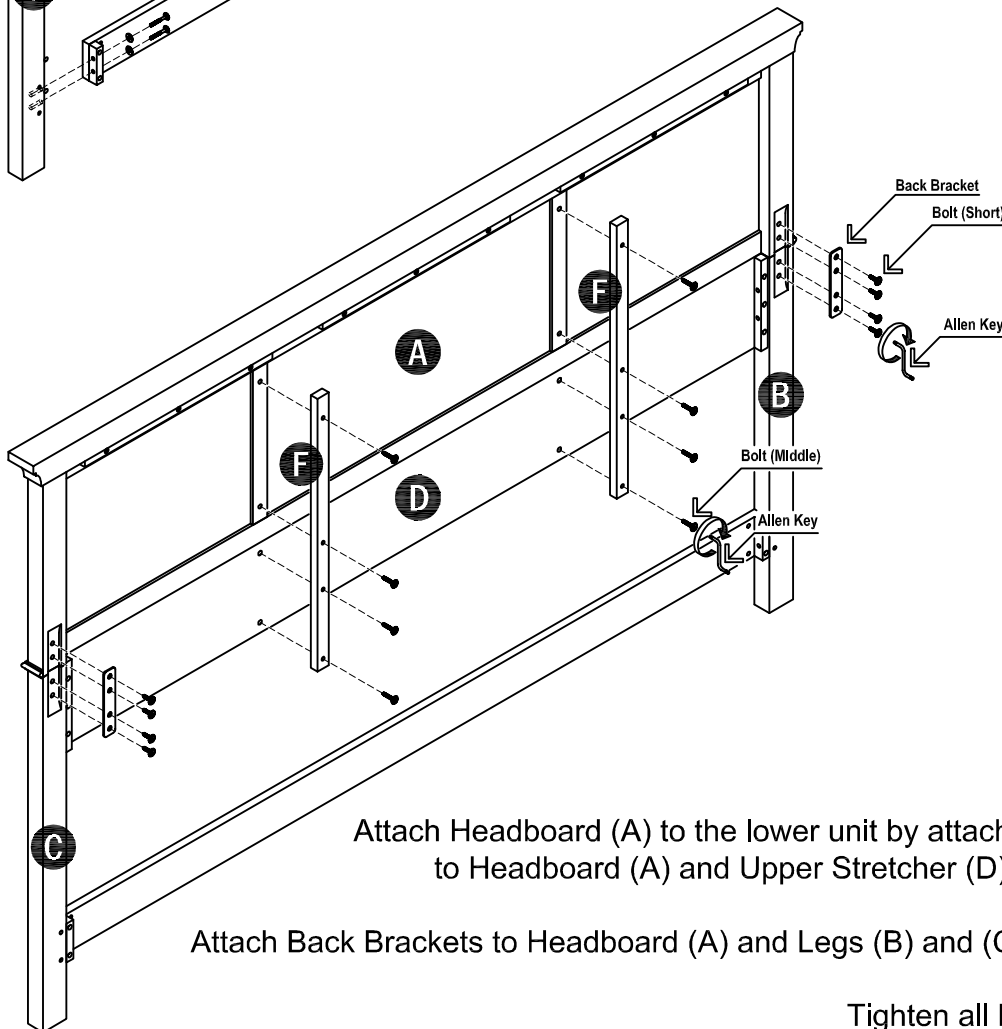
STEP 1

Attach Legs (B) and (C) to Upper Stretcher (D) and Lower Stretcher (E) with Bolts (Long) and Flat Washers.

Turn Bolt clockwise using Allen Key (See figure 1)



(Figure 1)



STEP 2

Attach Headboard (A) to the lower unit by attaching Back Support (F) to Headboard (A) and Upper Stretcher (D) using Bolts (Middle).

Attach Back Brackets to Headboard (A) and Legs (B) and (C) using Bolts (Short).

Tighten all Bolts using Allen Key.

VERY IMPORTANT !!

CARE INSTRUCTIONS

NEVER

USE GLASS CLEANERS ON FINISHED FURNITURE. AMMONIA WILL CHEMICALLY ATTACK THE LACQUER.

NEVER

ALLOW LIQUIDS OF ANY KIND TO REMAIN ON THE FURNITURE. ABSORPTION CAUSES WOOD TO WARP AND SPLIT AND FINISHES TO DELAMINATE.

DO NOT WRITE DIRECTLY ON SURFACE.



PREVENT MARKING

DO NOT PLACE IN DIRECT SUNLIGHT.



PREVENT FADING

DO NOT USE COMMERCIAL WAXES AND POLISHES.



PREVENT YELLOWING

DO NOT PLACE HOT OBJECTS ON SURFACE.



PREVENT FINISH DAMAGE

DO NOT USE RUBBER BASED PLACE MATS.



PREVENT DISCOLORING

TO CLEAN

USE A SOFT CLOTH MOISTENED IN LEMON OIL POLISH OR LUKEWARM SOAP AND WATER, THEN BUFF WITH A DRY CLEAN CLOTH.

