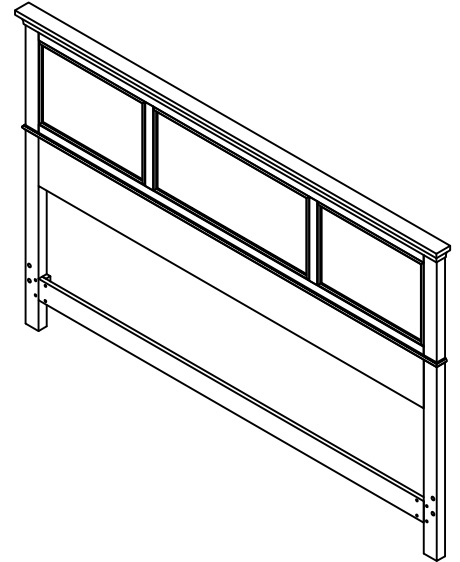


# Naples King Headboard



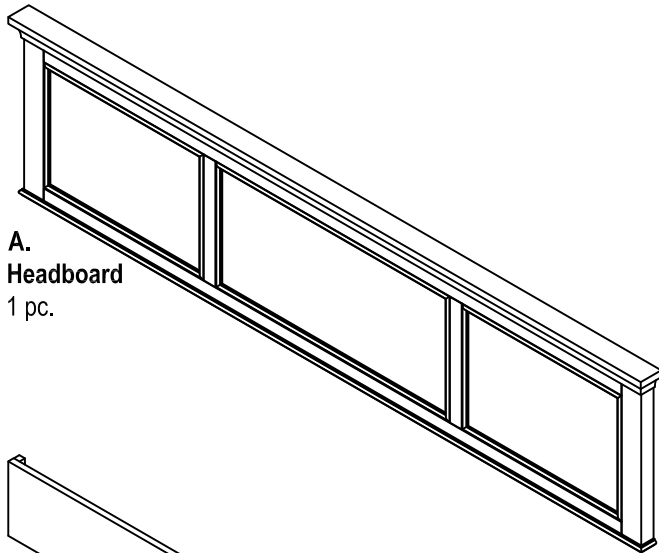
## IMPORTANT NOTE

Carefully remove all the parts from the carton and put them individually on a soft cloth to prevent scratches or other damages occurring to the parts.

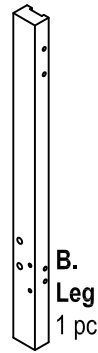
We have taken great care in the design of this product and request that you carefully and strictly follow our assembly instructions to ensure a completed product as it was designed.

*Home  
Styles*

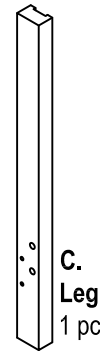
## Part List



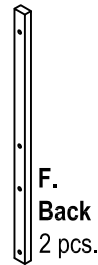
**A.**  
Headboard  
1 pc.



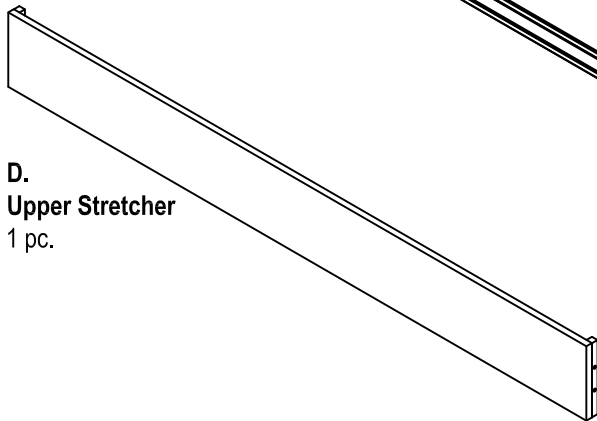
**B.**  
Leg  
1 pc.



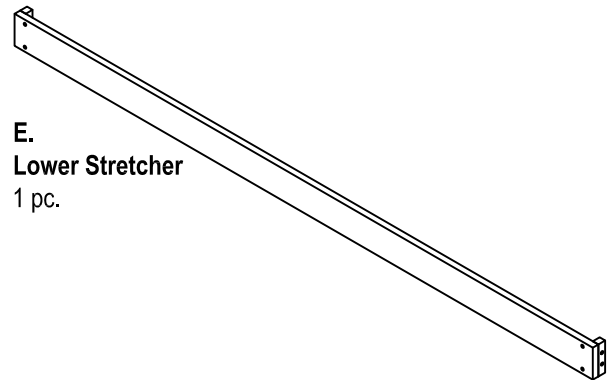
**C.**  
Leg  
1 pc.



**F.**  
Back Support  
2 pcs.



**D.**  
Upper Stretcher  
1 pc.

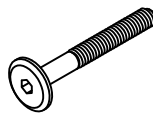


**E.**  
Lower Stretcher  
1 pc.

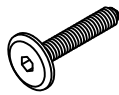
## Hardware List



Allen Key  
1 pc.



Bolt (Long)  
8 pcs. (+1 extra)



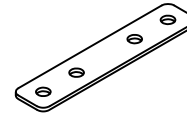
Bolt (Middle)  
8 pc. (+1 extra)



Bolt (Short)  
8 pcs. (+1 extra)



Flat Washer  
8 pcs. (+1 extra)



Back Bracket  
2 pcs.



# VERY IMPORTANT !!

## CARE INSTRUCTIONS

### NEVER

USE GLASS CLEANERS ON FINISHED FURNITURE. AMMONIA WILL CHEMICALLY ATTACK THE LACQUER.

### NEVER

ALLOW LIQUIDS OF ANY KIND TO REMAIN ON THE FURNITURE. ABSORPTION CAUSES WOOD TO WARP AND SPLIT AND FINISHES TO DELAMINATE.

DO NOT WRITE DIRECTLY ON SURFACE.



**PREVENT MARKING**

DO NOT PLACE IN DIRECT SUNLIGHT.



**PREVENT FADING**

DO NOT USE COMMERCIAL WAXES AND POLISHES.



**PREVENT YELLOWING**

DO NOT PLACE HOT OBJECTS ON SURFACE.



**PREVENT FINISH DAMAGE**

DO NOT USE RUBBER BASED PLACE MATS.



**PREVENT DISCOLORING**

## TO CLEAN

USE A SOFT CLOTH MOISTENED IN LEMON OIL POLISH OR LUKEWARM SOAP AND WATER, THEN BUFF WITH A DRY CLEAN CLOTH.

