

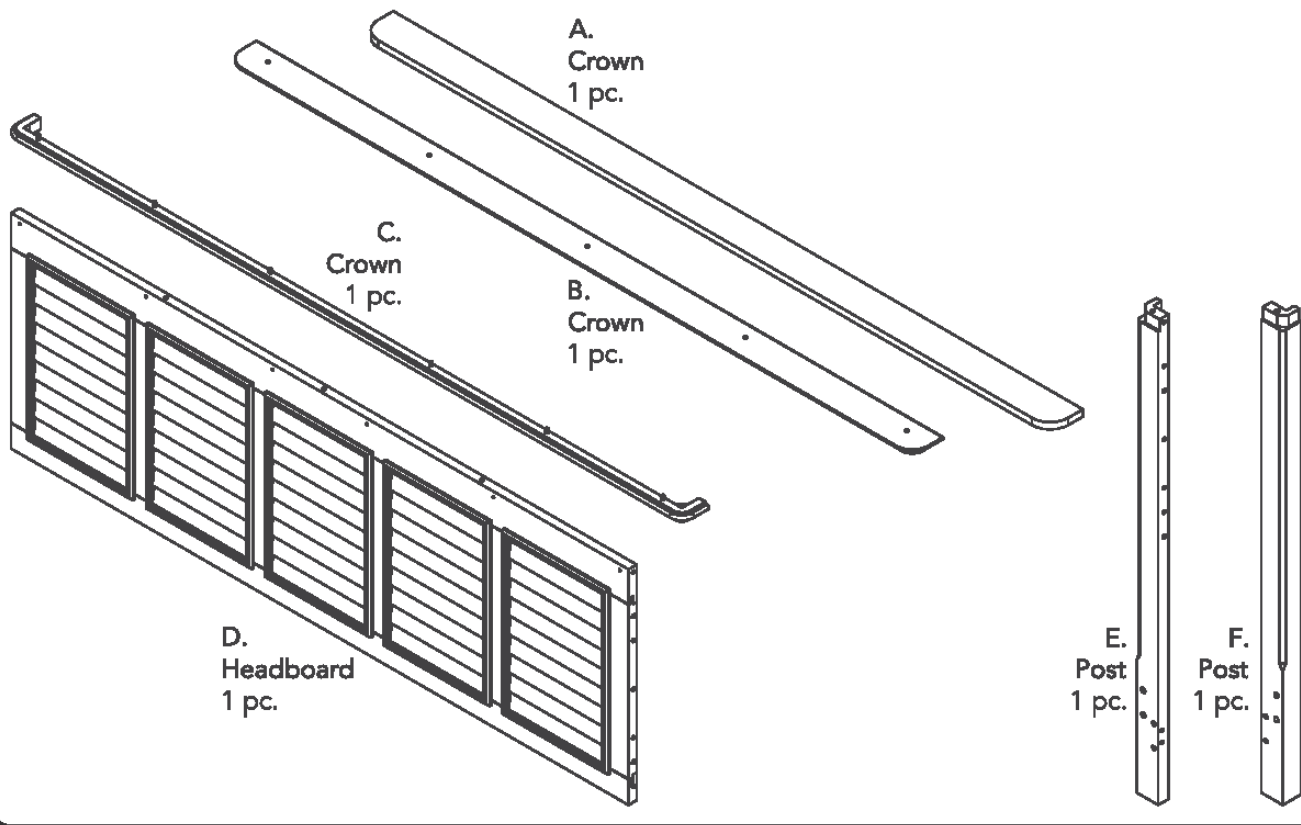
IMPORTANT

Carefully remove all the parts from the carton and place them individually on a soft cloth to prevent scratches or other damage.

Carefully and strictly follow these assembly instructions to ensure a completed product as designed.

Do not use power tools above 8 volts to assemble.

Part List



Hardware List



Wrench
1 pc.



Hex Wrench
1 pc.



Hex Wrench (Small)
1 pc.



M4x38
1 1/2" Flat Head Screw
6 pcs. (+1 extra)



M6x30
Head Cap Bolt
4 pcs. (+1 extra)



M6x80
Bolt (long)
5 pcs. (+1 extra)



M6x50
Bolt (short)
6 pcs. (+1 extra)



Spring Washer
15 pcs. (+1 extra)



Flat Washer
15 pcs. (+1 extra)



Nut
11 pcs. (+1 extra)



Dowel
8 pcs. (+1 extra)



Corner Plate
2 pcs.

Tool(s) required for assembly: Phillips screwdriver

Assembly Instructions 2/4

IMPORTANT

- Use a soft cloth between these parts and the floor.
- Do not use power tools above 8 volts to assemble.
- Do not tighten all the bolts until each part is properly assembled.
- Keep Wrench and Hex Wrench as the Nuts and Head Cap Bolts may need to be tightened in the future.

STEP 1

Insert Bolts (long) into pre-drilled holes in Crown (A), then tighten.

Insert Bolts (short) into pre-drilled holes in Posts (E) and (F), then tighten.

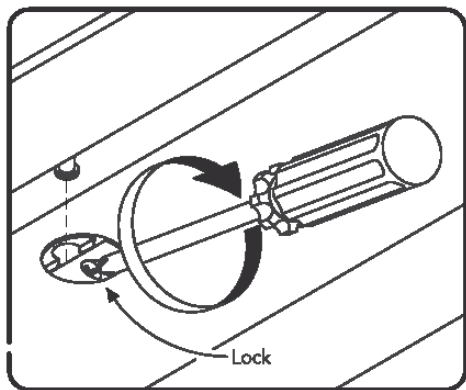
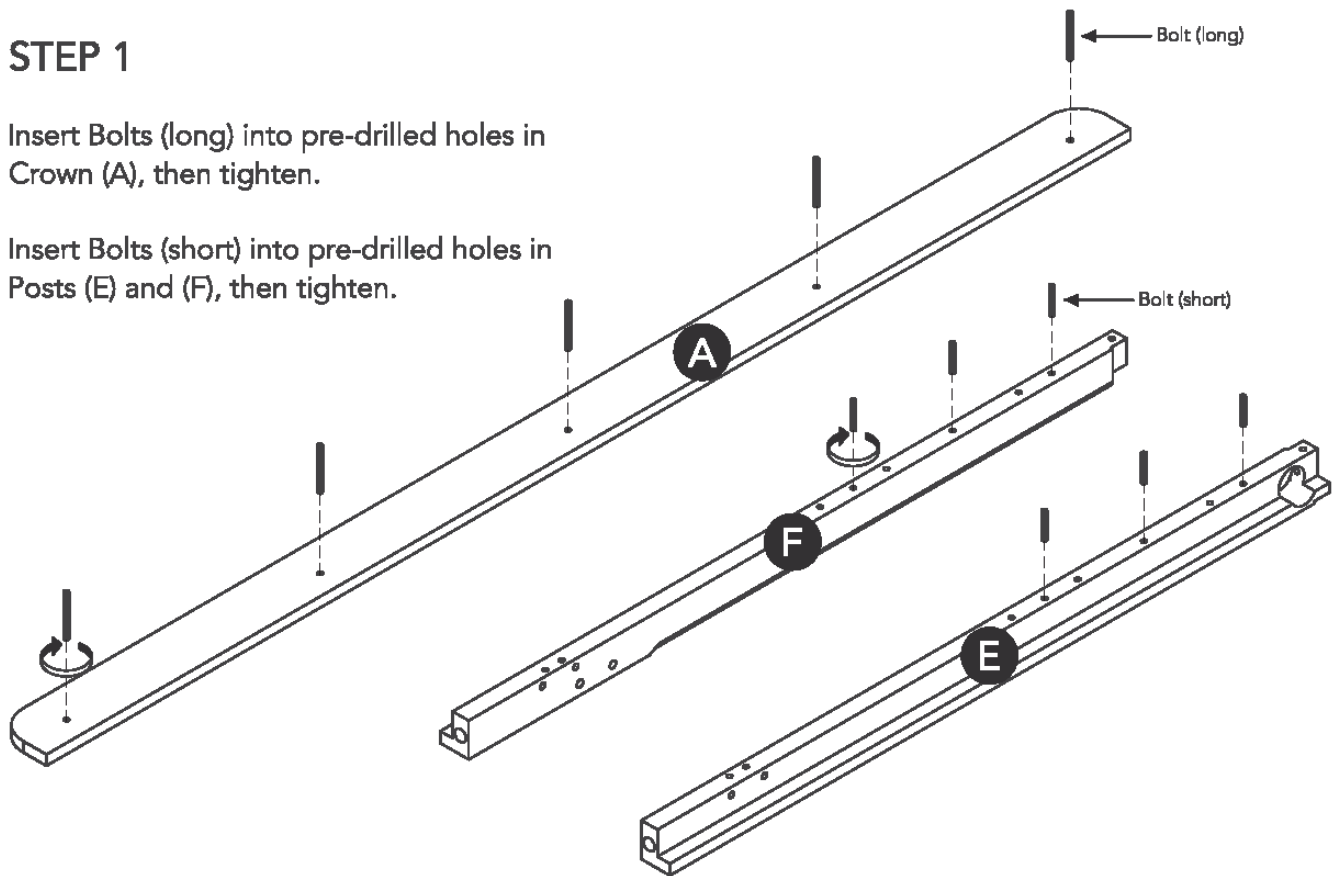
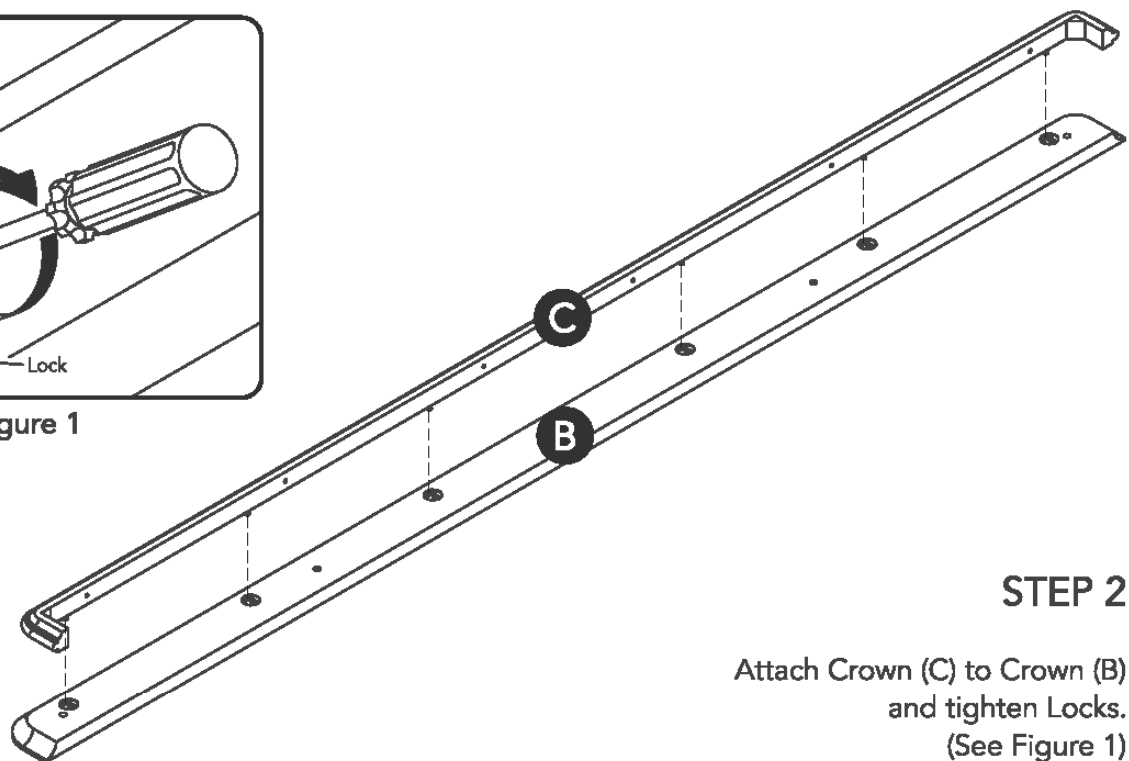


Figure 1



STEP 2

Attach Crown (C) to Crown (B) and tighten Locks. (See Figure 1)

Assembly Instructions 3/4

STEP 3

Attach Posts (E) and (F) to Headboard (D) with Dowels, Flat Washers, Spring Washers and Nuts.

Tighten all Nuts with Wrench. (See Figure 2)

Attach Corner Plates to unit with Flat Washers, Spring Washers and Head Cap Bolts.

Tighten all Head Cap Bolts with Hex Wrench. (See Figure 3)

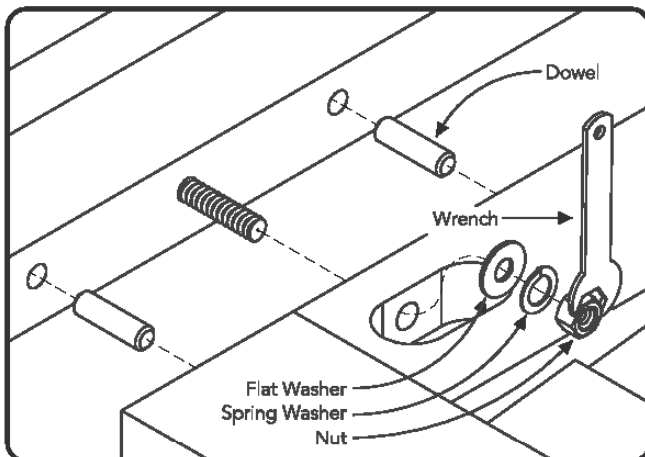
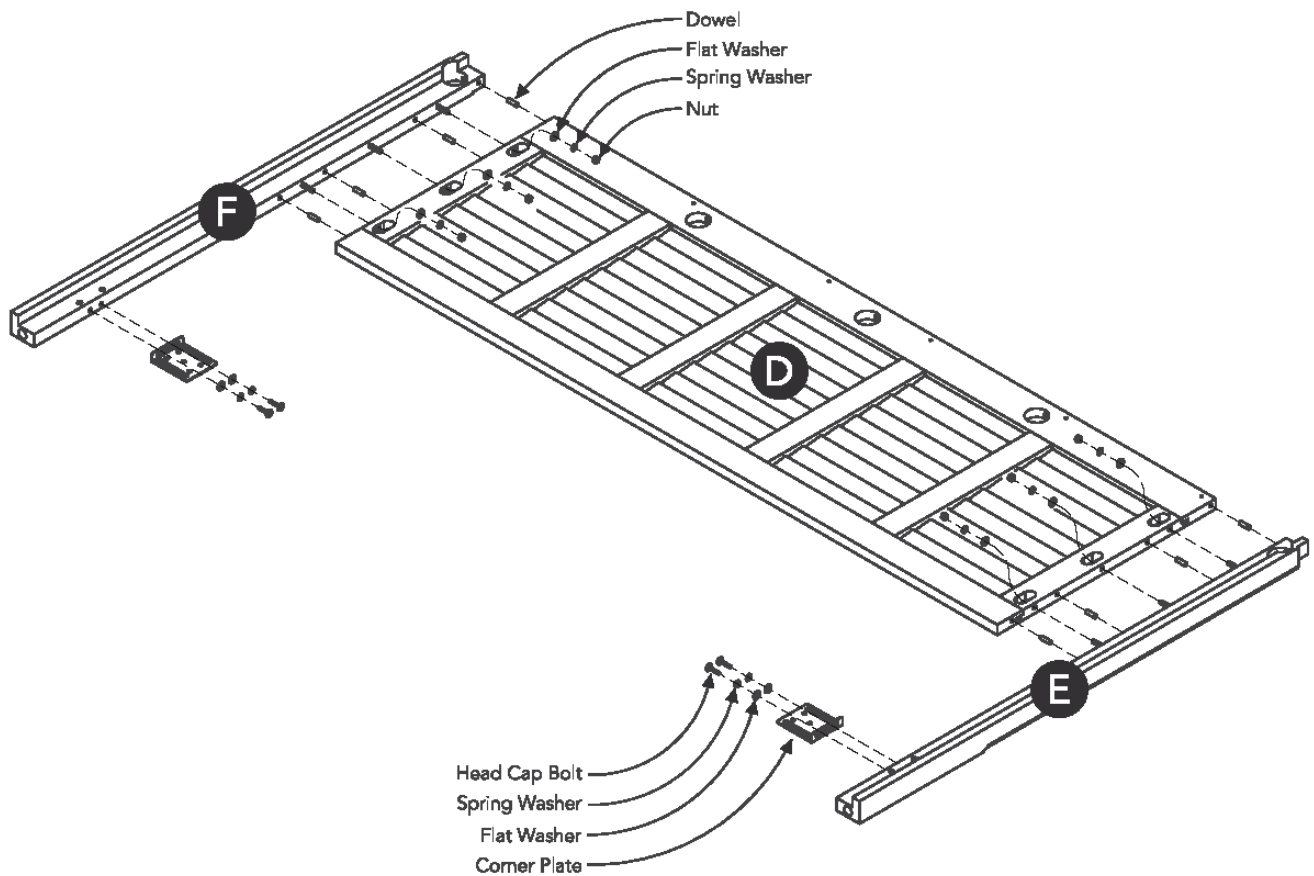


Figure 2

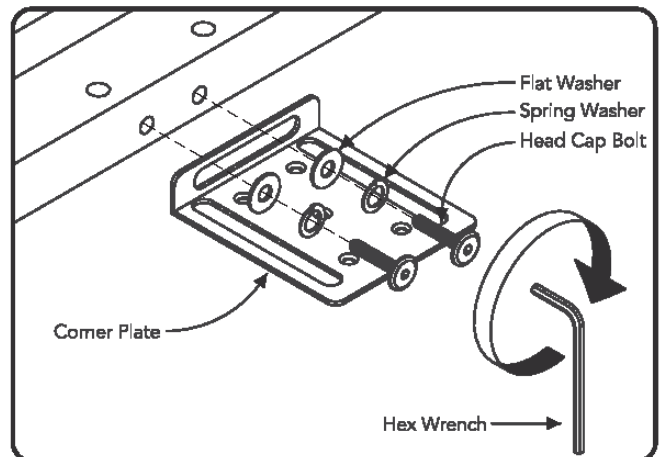


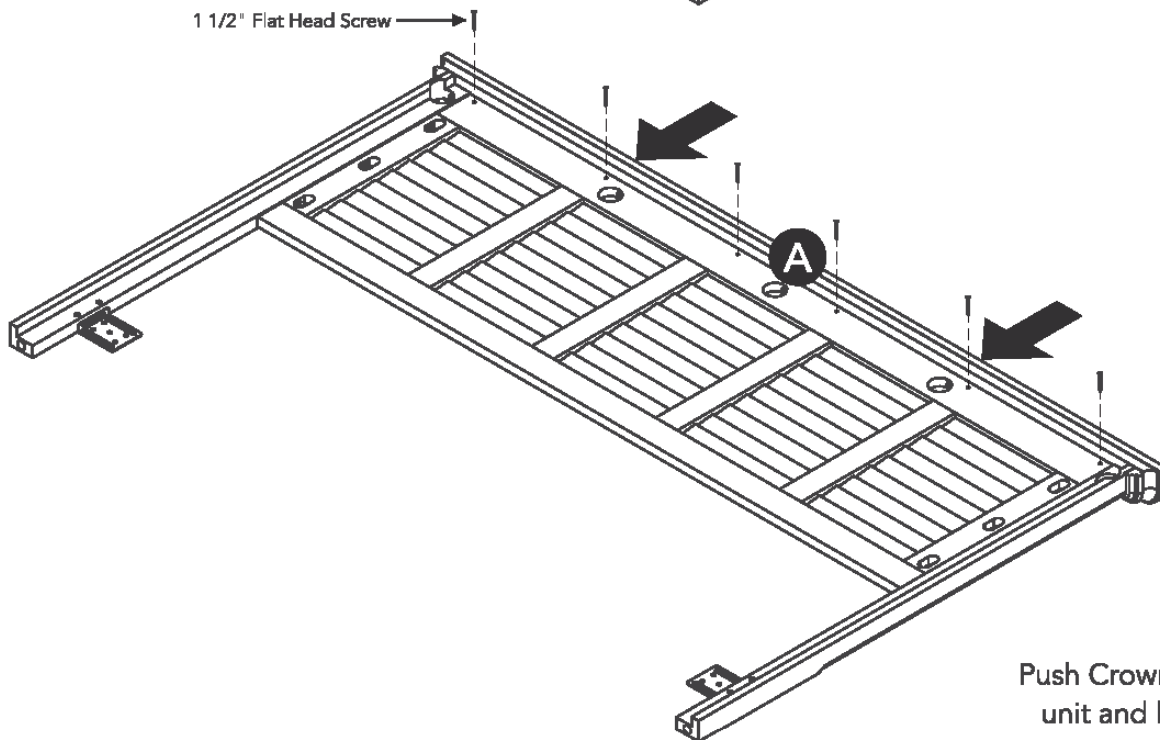
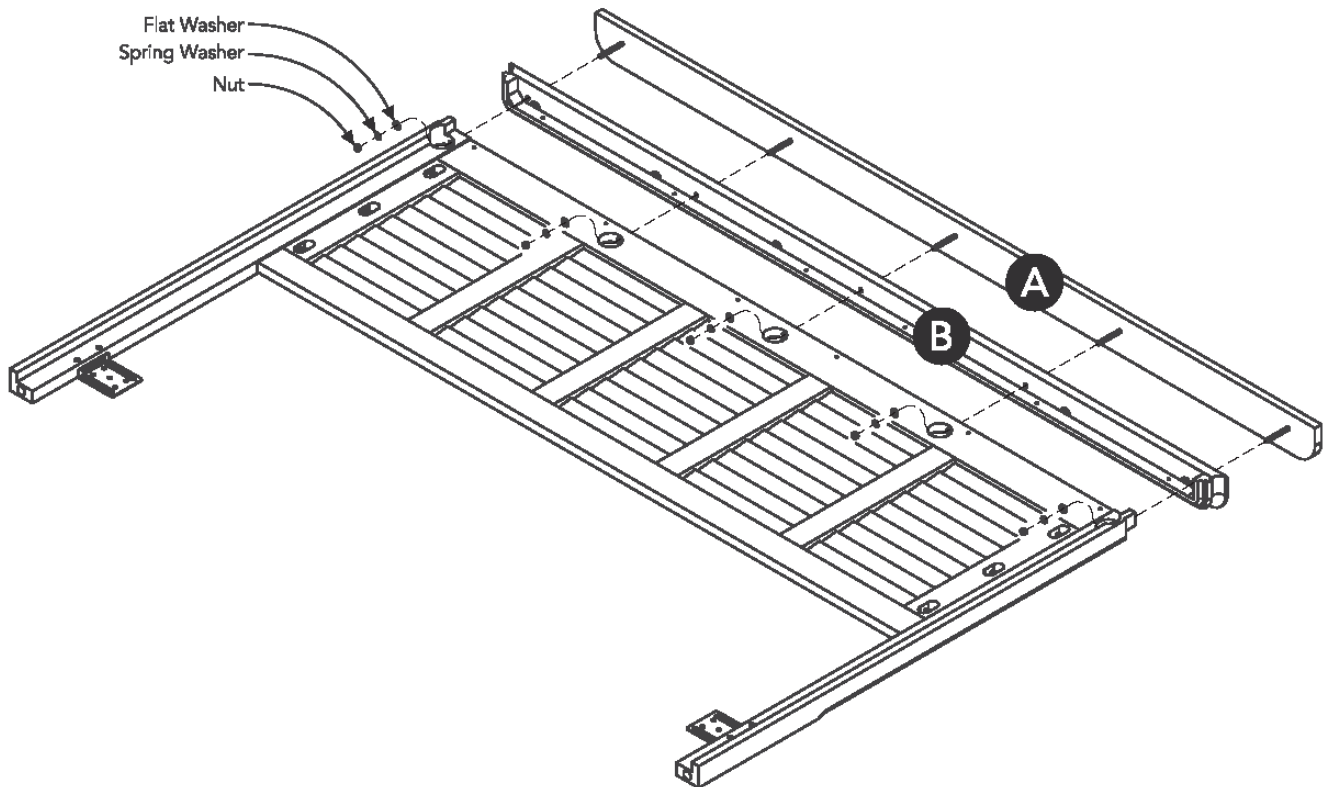
Figure 3

Assembly Instructions 4/4

STEP 4

Attach Crowns (A) and (B) to unit with Flat Washers, Spring Washers and Nuts.

Tighten Nuts with Wrench. (See Figure 2)



STEP 5

Push Crown (A) firmly to unit and hold in place.

Attach 1 1/2" Flat Head Screws to unit.

CARE INSTRUCTIONS

NEVER

allow liquids to remain on furniture.
Absorption causes parts to warp
and split and finishes to delaminate.

NEVER

use glass cleaners on
finished furniture. Ammonia
chemically attacks the finish.



Do not use power tools
above 8 volts to assemble.

**PREVENT
CRACKING**



Do not place
in direct sunlight.

**PREVENT
FADING**



Do not write
directly on surface.

**PREVENT
MARKING**



Do not place hot
objects on surface.

**PREVENT
FINISH DAMAGE**



Do not use rubber
based placemats.

**PREVENT
DISCOLORING**



Do not use commercial
waxes and polishes.

**PREVENT
YELLOWING**

CLEAN

with a soft cloth moistened
in lukewarm soap and water.
Buff with a dry clean cloth.



Home Styles will provide replacements free of charge for missing or damaged hardware or parts within 30 days of purchase. Digital images of the defective parts may be required. If the product was not purchased from an authorized retail affiliate, Home Styles is under no obligation to provide replacement parts. Parts are not available for fully assembled items nor are parts available for sale. Replacements for missing or damaged hardware or parts may be requested at: