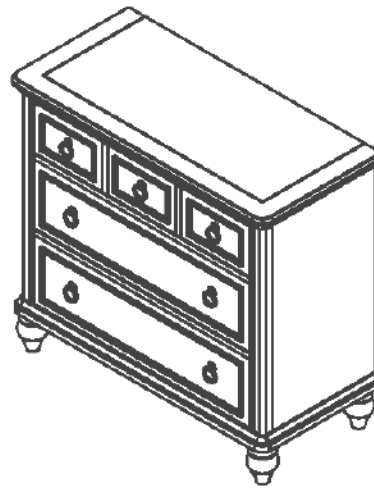


Chest



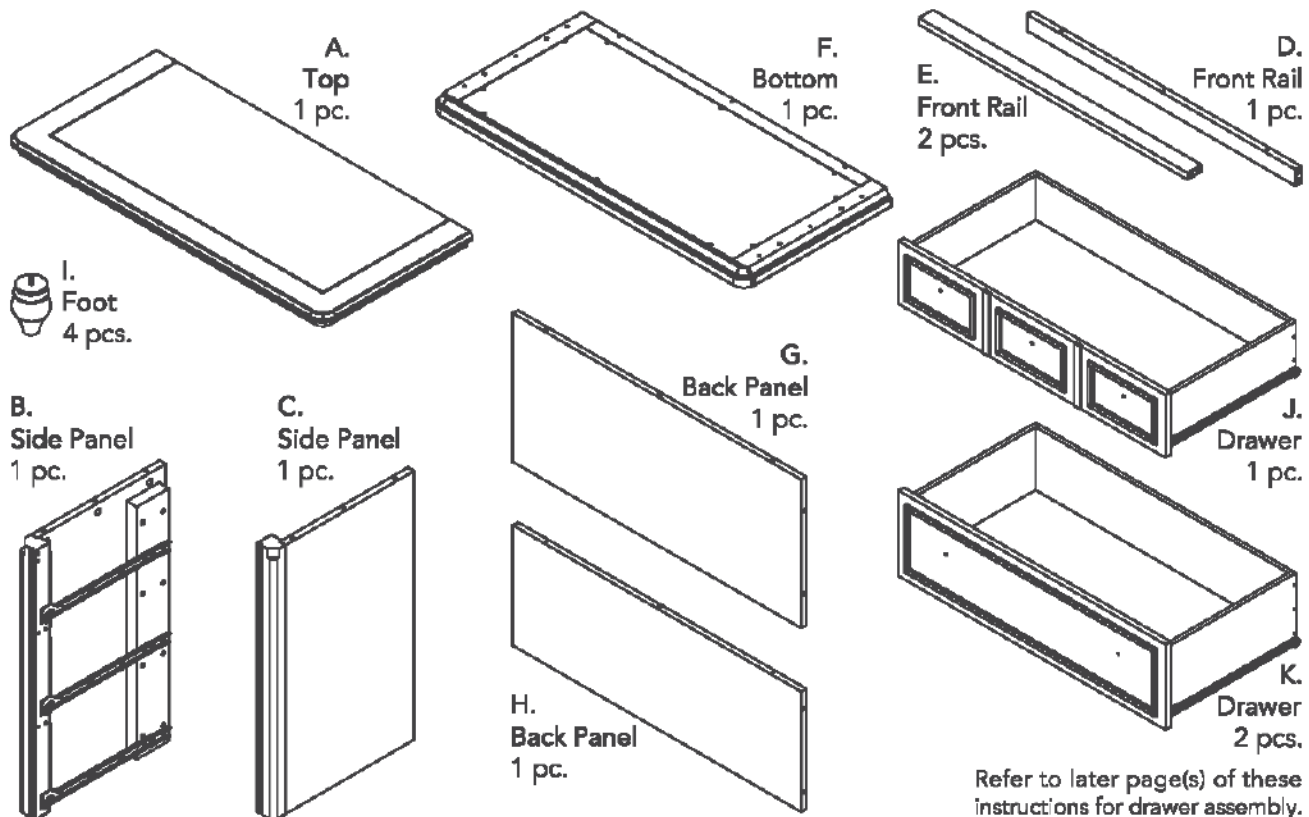
IMPORTANT

Carefully remove all the parts from the carton and place them individually on a soft cloth to prevent scratches or other damage.

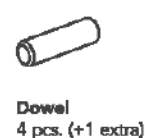
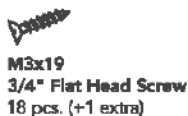
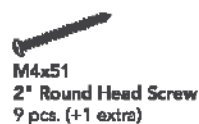
Carefully and strictly follow these assembly instructions to ensure a completed product as designed.

Do not use power tools above 8 volts to assemble.

Part List



Hardware List



Tool(s) required for assembly: Phillips screwdriver, Level, Pencil, Drill (8 volts or less), 3/8" Drill Bit

Assembly Instructions 2/10

IMPORTANT

- Use a soft cloth between these parts and the floor.
- Do not use power tools above 8 volts to assemble.
- Do not tighten all the screws until each part is properly assembled.
- The unit must be level to work properly. Use the included adjustable levelers to level.

STEP 1

Insert Cam Lock Screws into pre-drilled holes in Top (A), Side Panels (B), (C), Bottom (F) and Back Panel (H), then tighten.

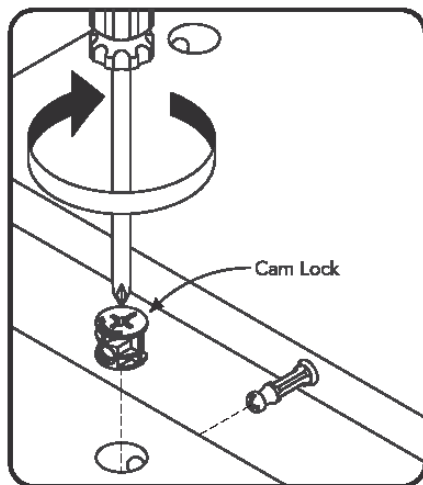
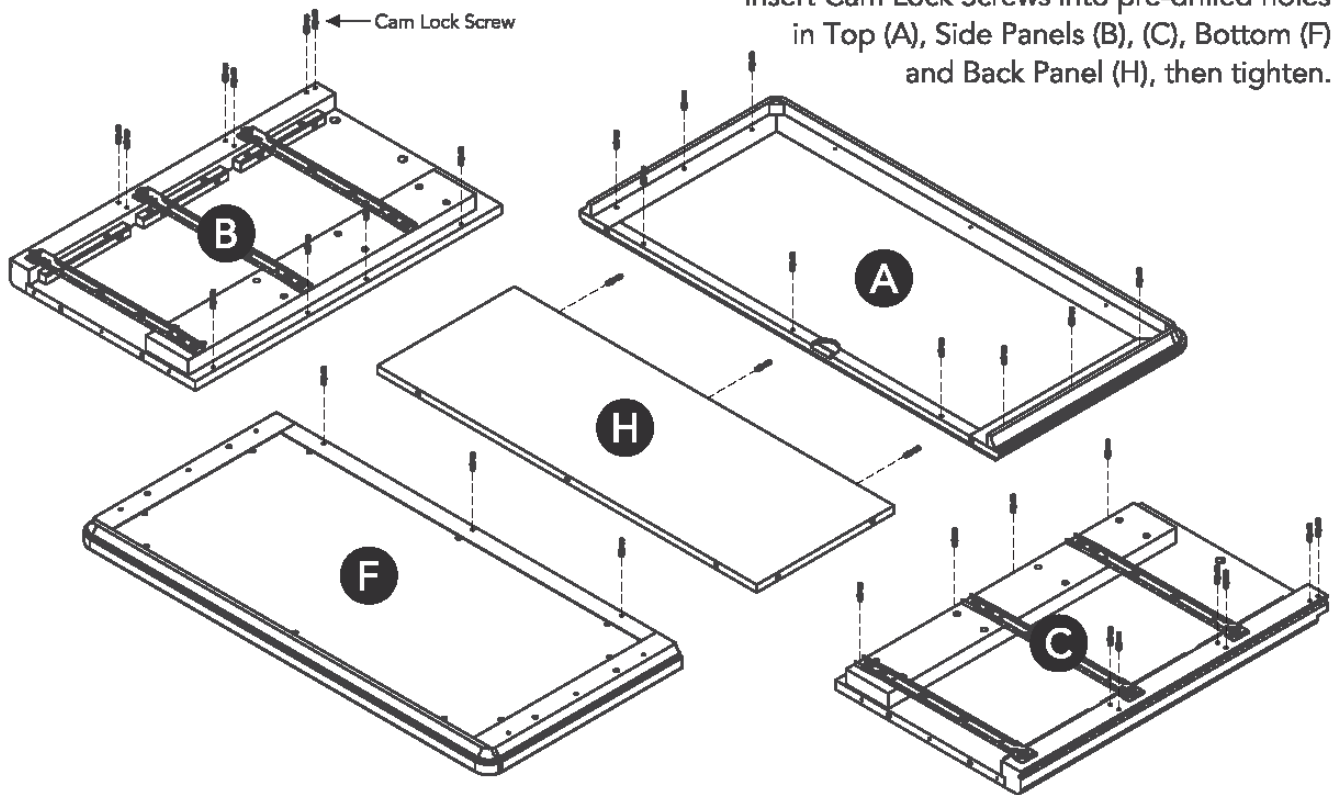
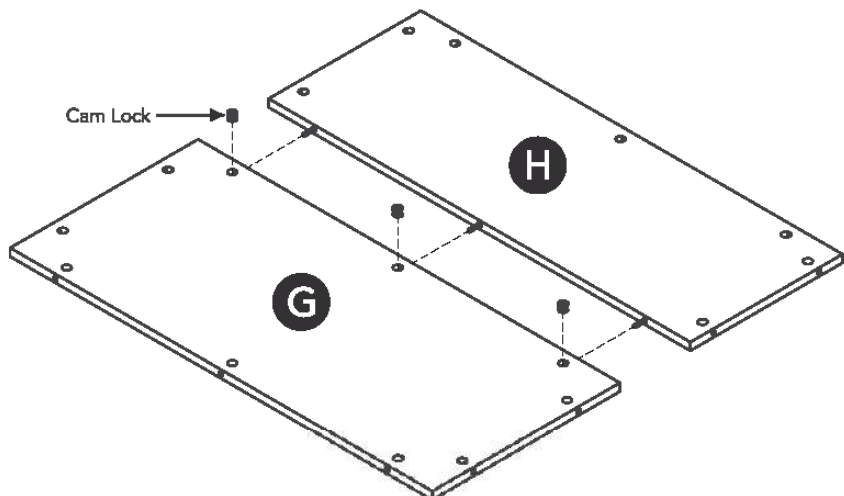


Figure 1



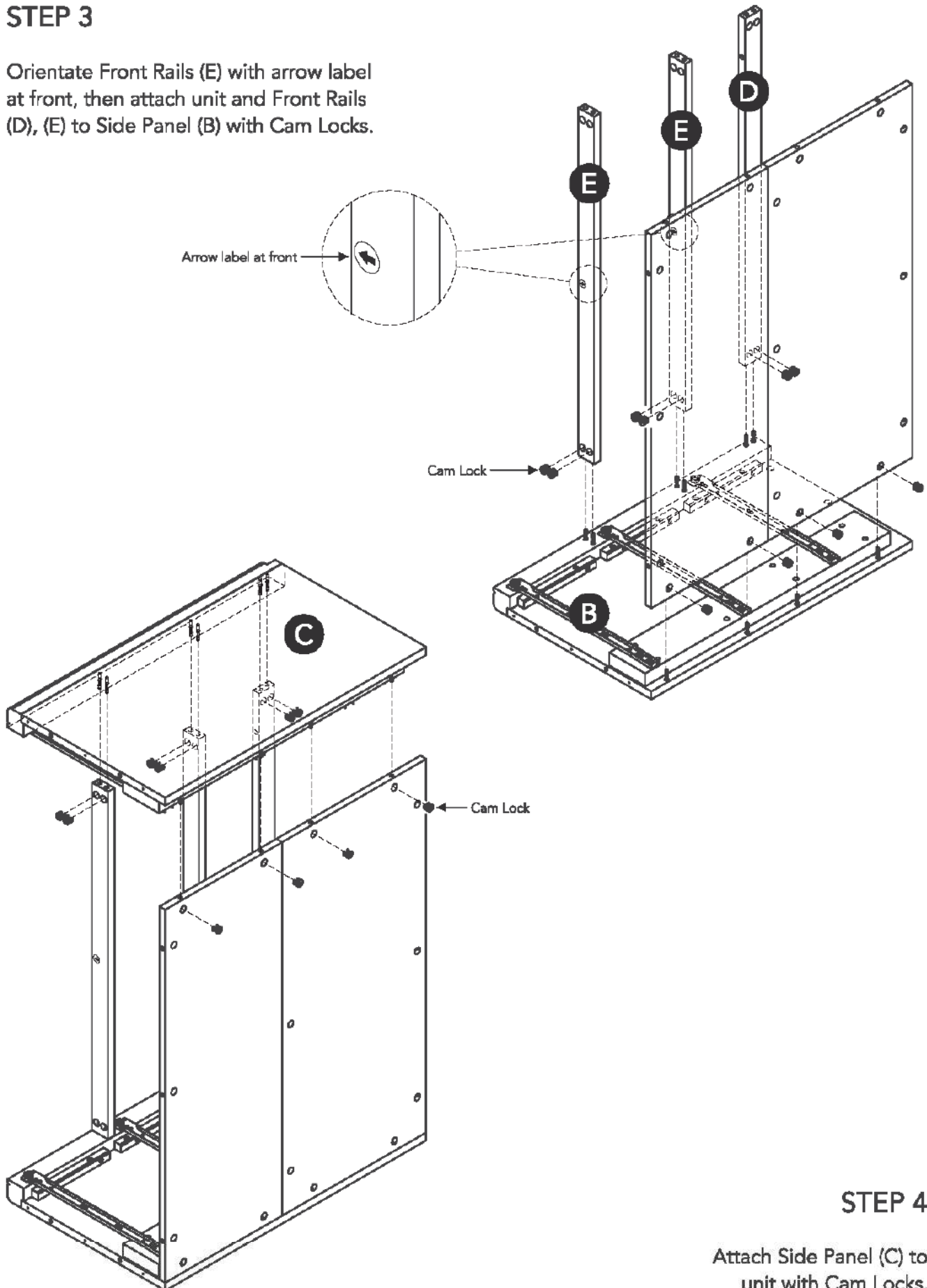
STEP 2

Assemble Back Panels (G) and (H) with Cam Locks. (See Figure 1)

Assembly Instructions 3/10

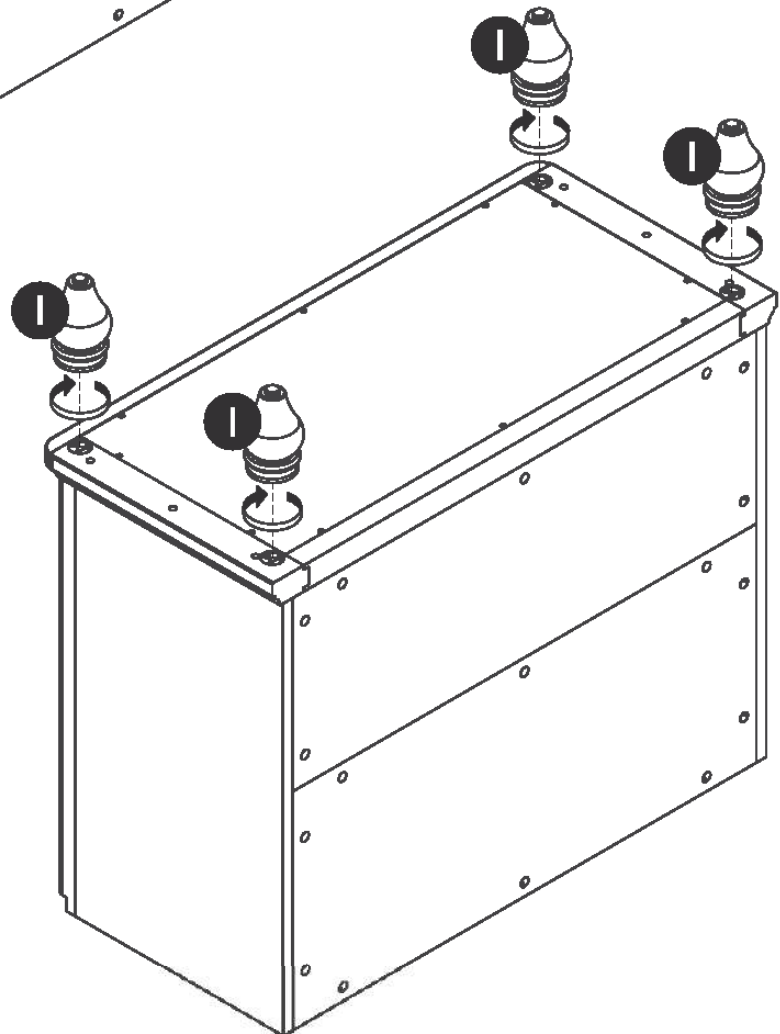
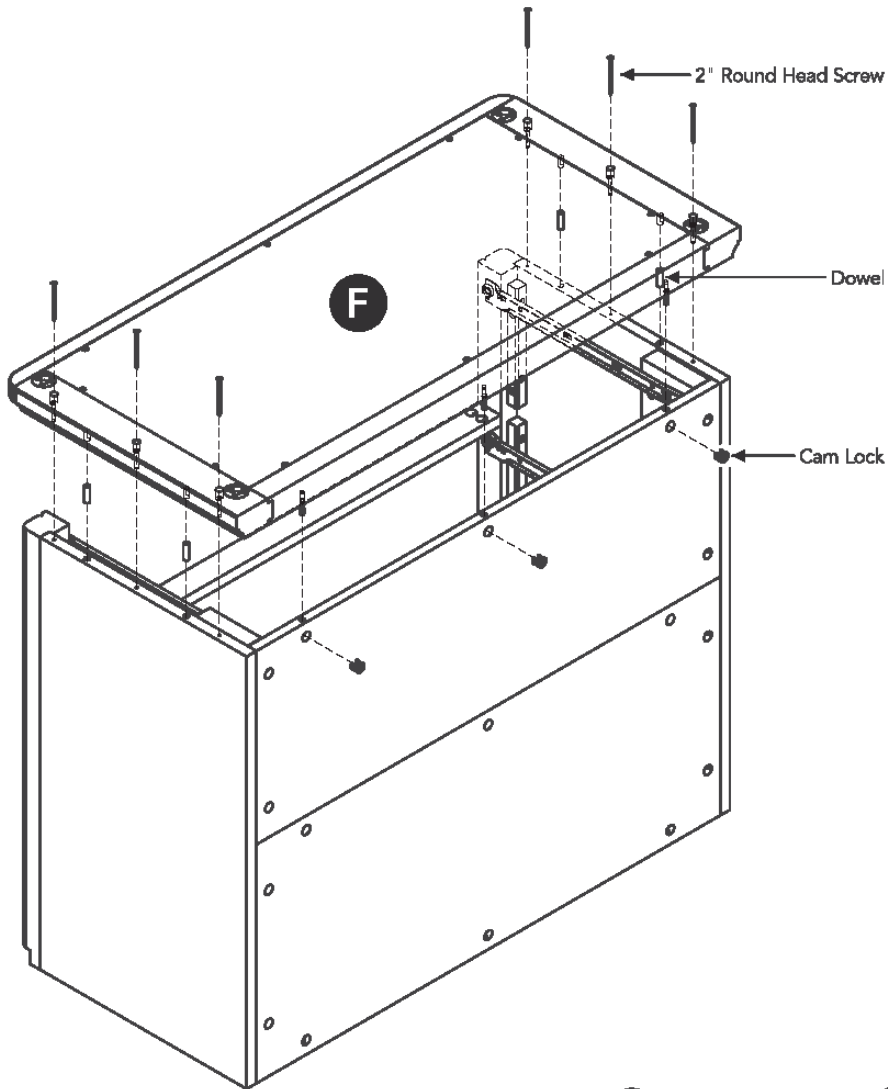
STEP 3

Orientate Front Rails (E) with arrow label at front, then attach unit and Front Rails (D), (E) to Side Panel (B) with Cam Locks.



STEP 5

Attach Bottom (F) to unit with Dowels, Cam Locks and 2" Round Head Screws.



STEP 6

Attach Feet (I) to unit.

Assembly Instructions 5/10

STEP 7

Turn unit over to its upright position.

Attach Top (A) to unit with Cam Locks and 2" Round Head Screws.

Note: A Philips screwdriver 5" or less in length is recommended.

Level unit by adjusting the adjustable levelers on bottom of unit.
(See Figure 2)

Note: Unit must be level to proceed.

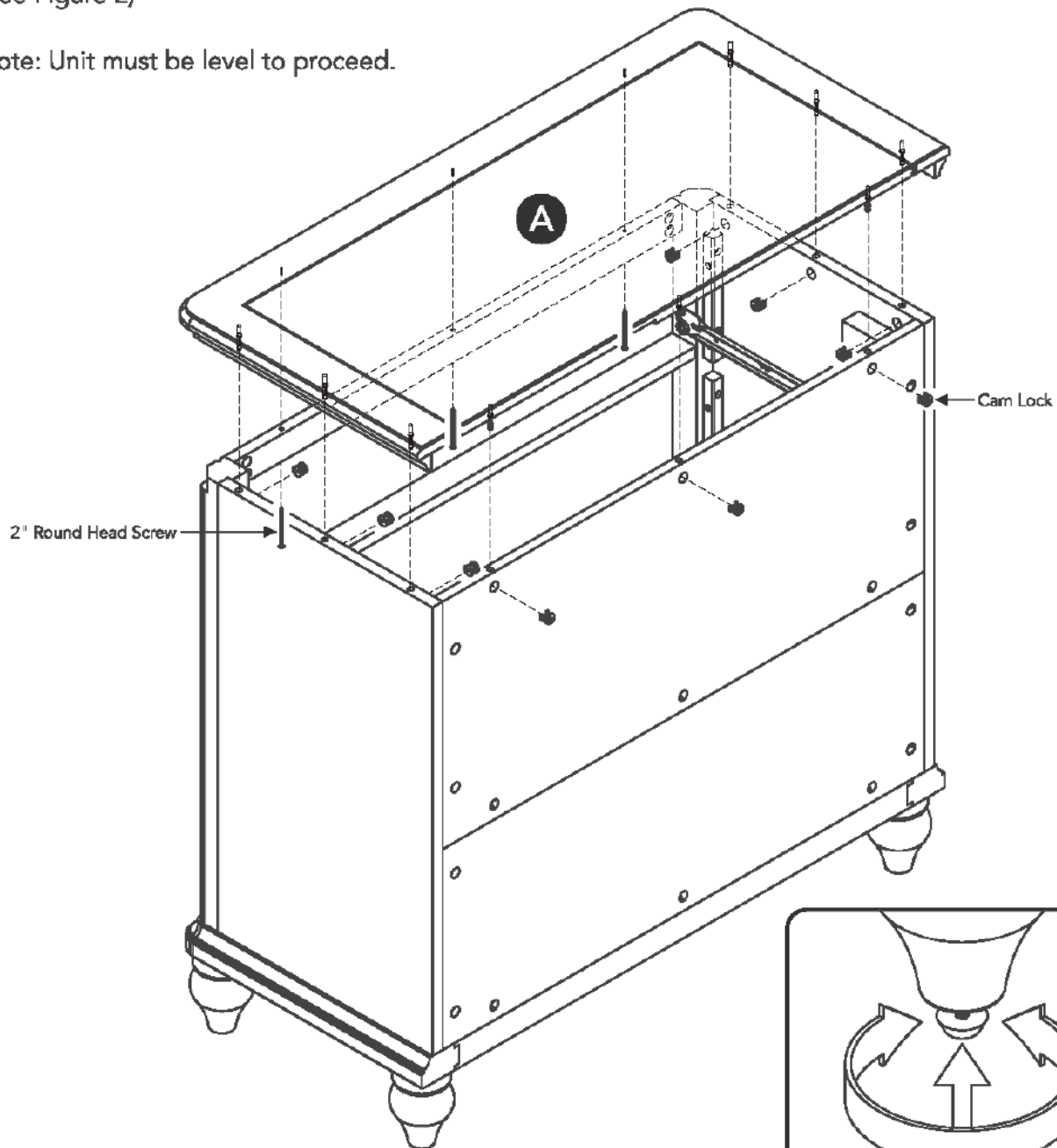


Figure 2

Assembly Instructions 6/10

IMPORTANT

- To help reduce the risk of the unit tipping over, the Tip-over Restraint must be installed following these instructions exactly.

STEP 8

Place unit at desired location.

Mark wall with pencil just above and in-line with hole in Top (A). (See Figure 3)

Move unit.

Drill a 3/8" hole in wall 1 1/2" below mark.

Insert Anchor into the wall hole and attach Tip-over Restraint to Anchor with 1 1/2" Round Head Screw and Flat Washer. (See Figure 4)

Move unit back into place and insert Tip-over Restraint into unit through hole in Top (A). (See Figure 5)

Attach Tip-over Restraint to unit with 1/2" Round Head Screw and Flat Washer. (See Figure 6)

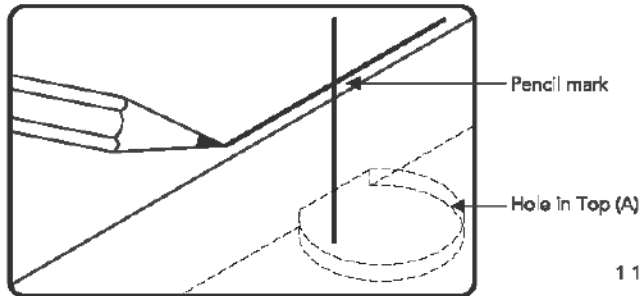
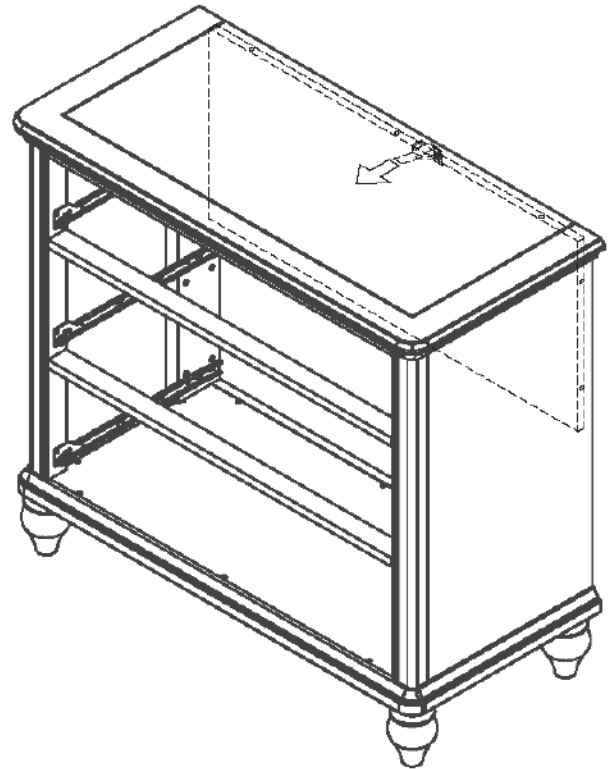


Figure 3

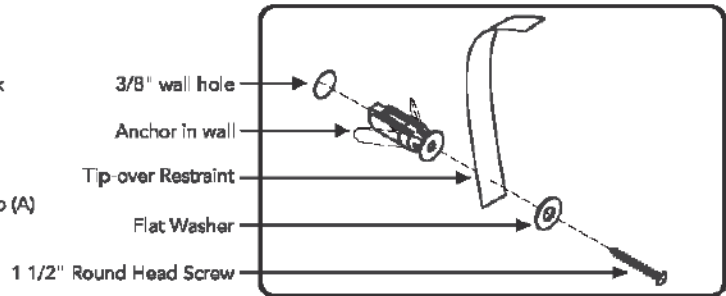


Figure 4

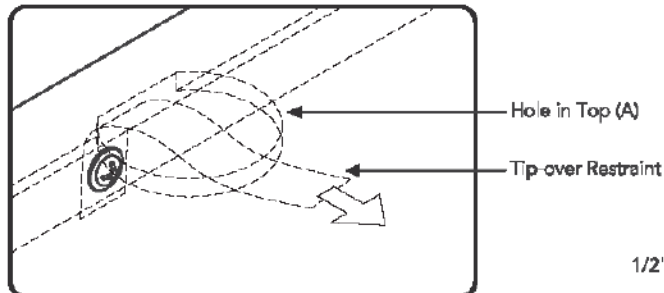


Figure 5

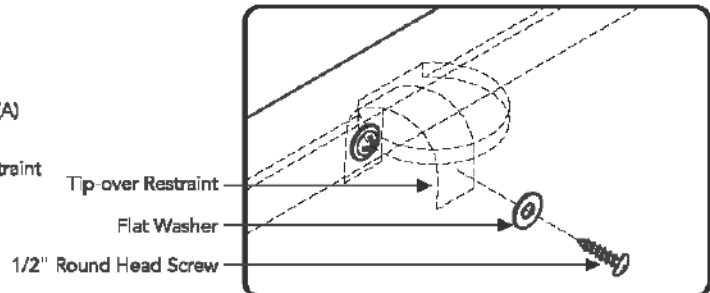


Figure 6

Hardware List



Tip-over Restraint
1 pc.



Anchor
1 pc. (+1 extra)



M3x38
1 1/2" Round Head Screw
1 pc. (+1 extra)

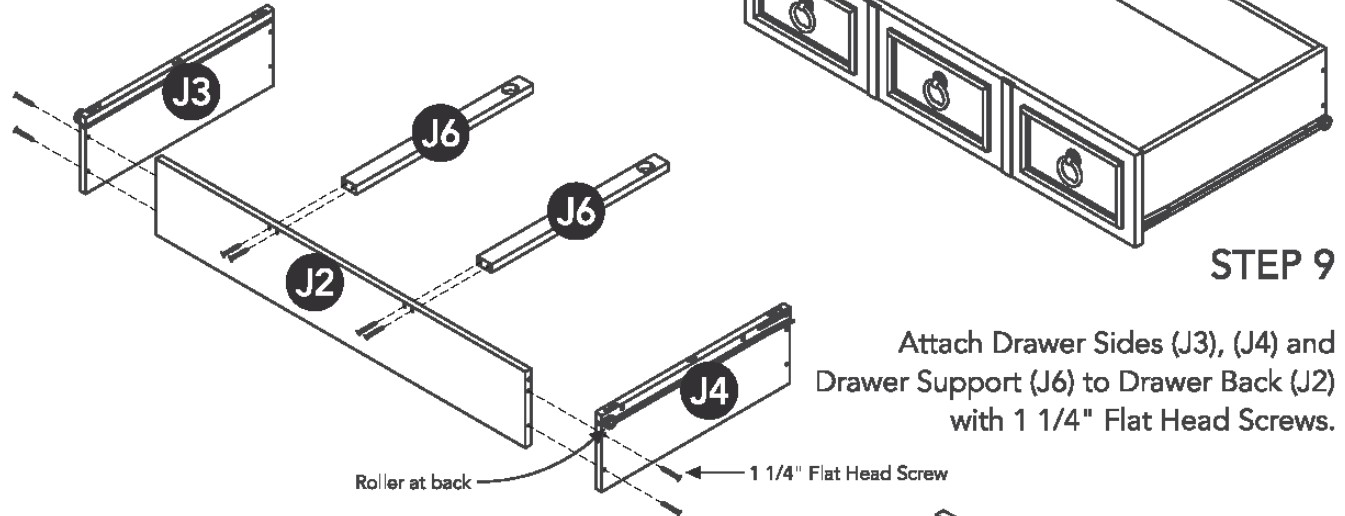


M3x13
1/2" Round Head Screw
1 pc. (+1 extra)



Flat Washer
2 pcs. (+1 extra)

Drawer (J)



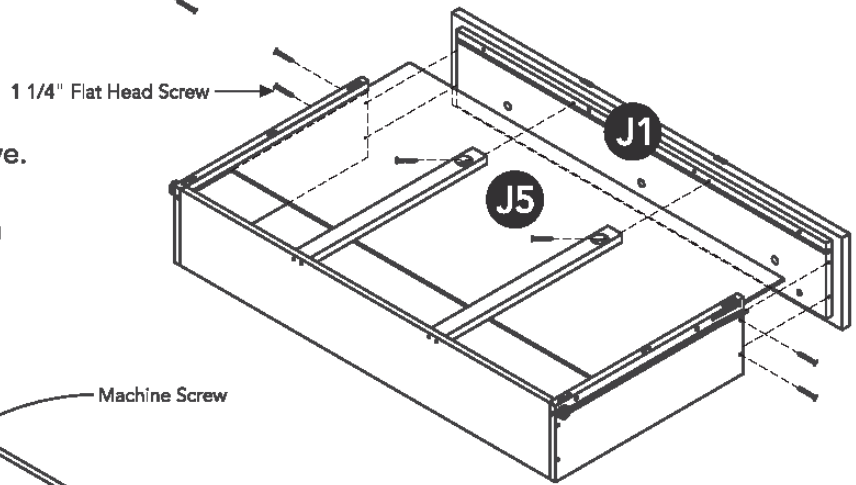
STEP 9

Attach Drawer Sides (J3), (J4) and Drawer Support (J6) to Drawer Back (J2) with 1 1/4" Flat Head Screws.

STEP 10

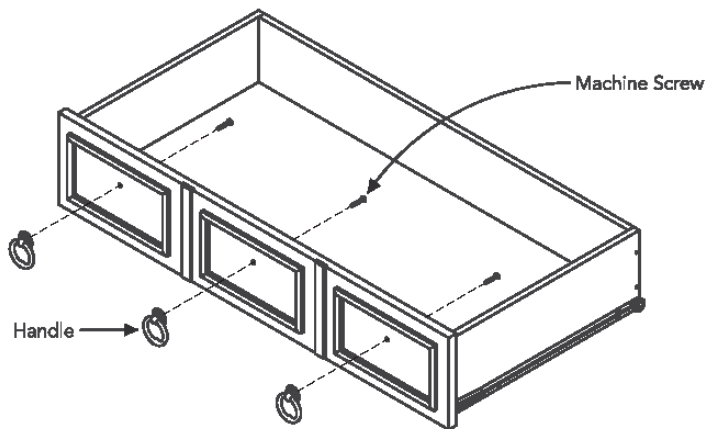
Insert Drawer Bottom (J5) into groove.

Attach Drawer Front (J1) to unit with 1 1/4" Flat Head Screws.



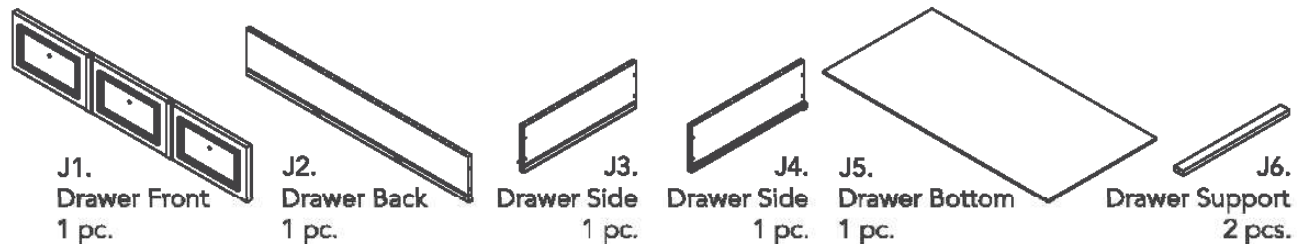
STEP 11

Attach Handles with Machine Screws.

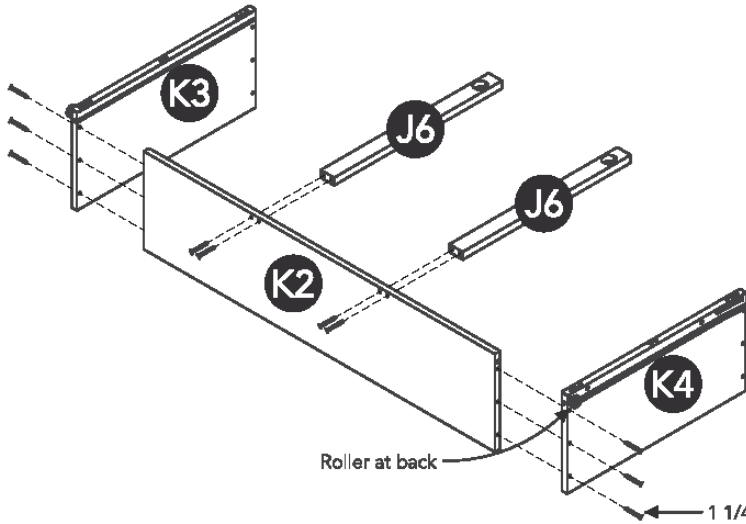


Note: Drawer assembly is not complete until 3/4" Flat Head Screws are used in a later step.

Part List



Drawer (K)



STEP 12

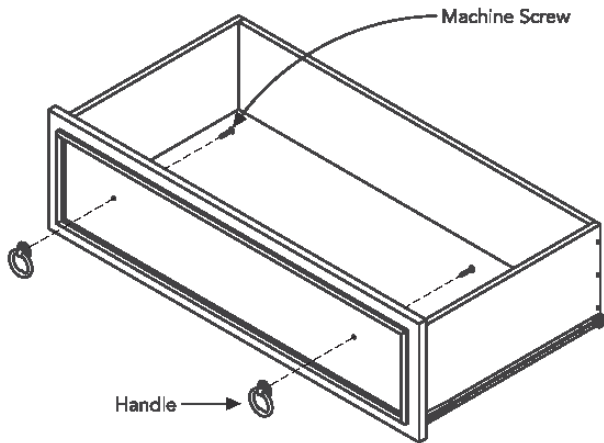
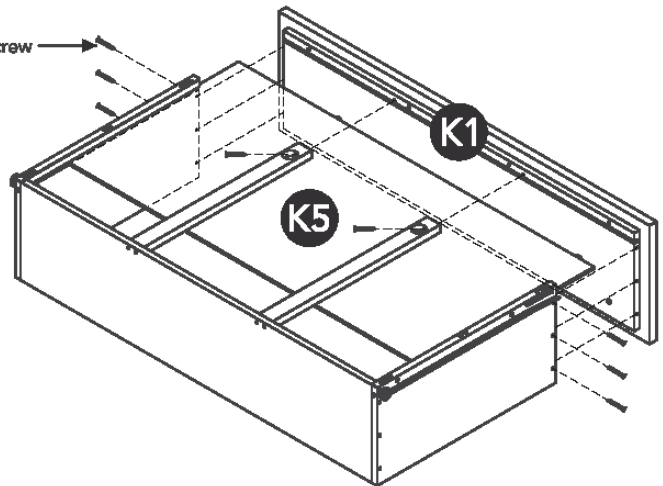
Attach Drawer Sides (K3), (K4) and Drawer Support (J6) to Drawer Back (K2) with 1 1/4" Flat Head Screws.

STEP 13

Insert Drawer Bottom (K5) into groove.

Attach Drawer Front (K1) to unit with 1 1/4" Flat Head Screws.

1 1/4" Flat Head Screw

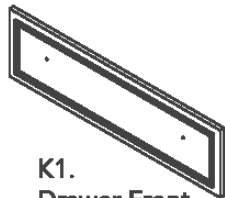


STEP 14

Attach Handles with Machine Screws.

Note: Drawer assembly is not complete until 3/4" Flat Head Screws are used in a later step.

Part List



K1.
Drawer Front
2 pcs.



K2.
Drawer Back
2 pcs.



K3.
Drawer Side
2 pcs.



K4.
Drawer Side
2 pcs.



K5.
Drawer Bottom
2 pcs.

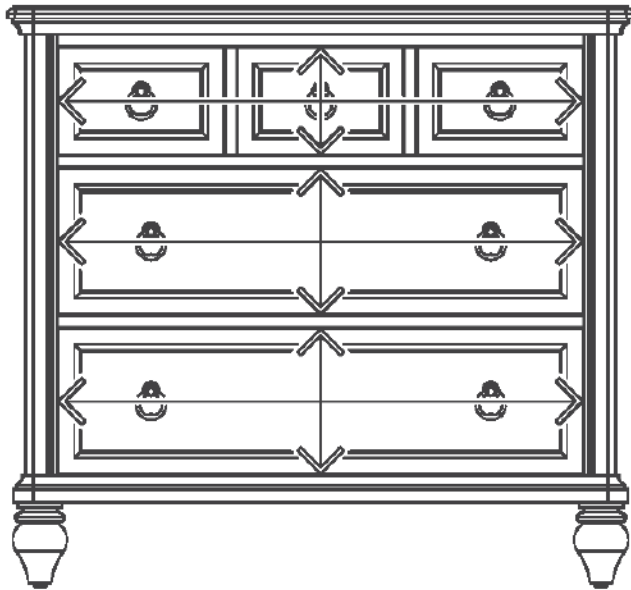
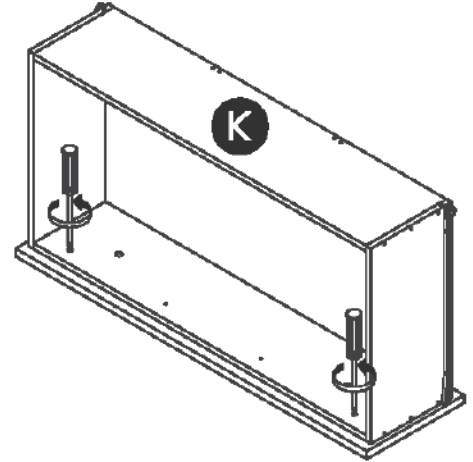
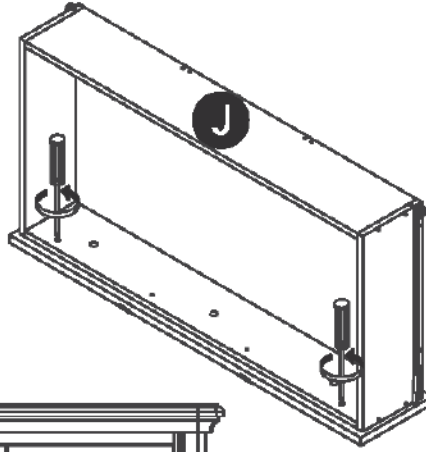


J6.
Drawer Support
4 pcs.

Assembly Instructions 9/10

STEP 15

Loosen slightly screws pre-installed on back of drawer fronts.



STEP 16

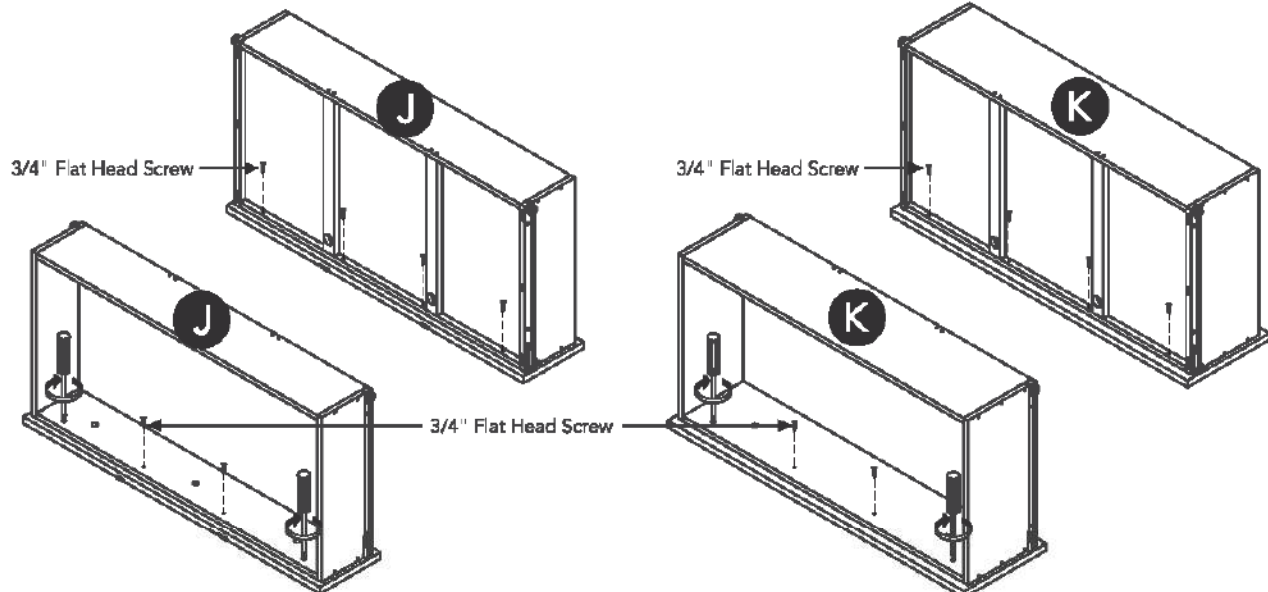
Insert drawers into unit, then adjust drawer front panels left or right and up or down until drawer gaps look proportional.

STEP 17

Pull each drawer open slowly and re-tighten screws from Step 15.

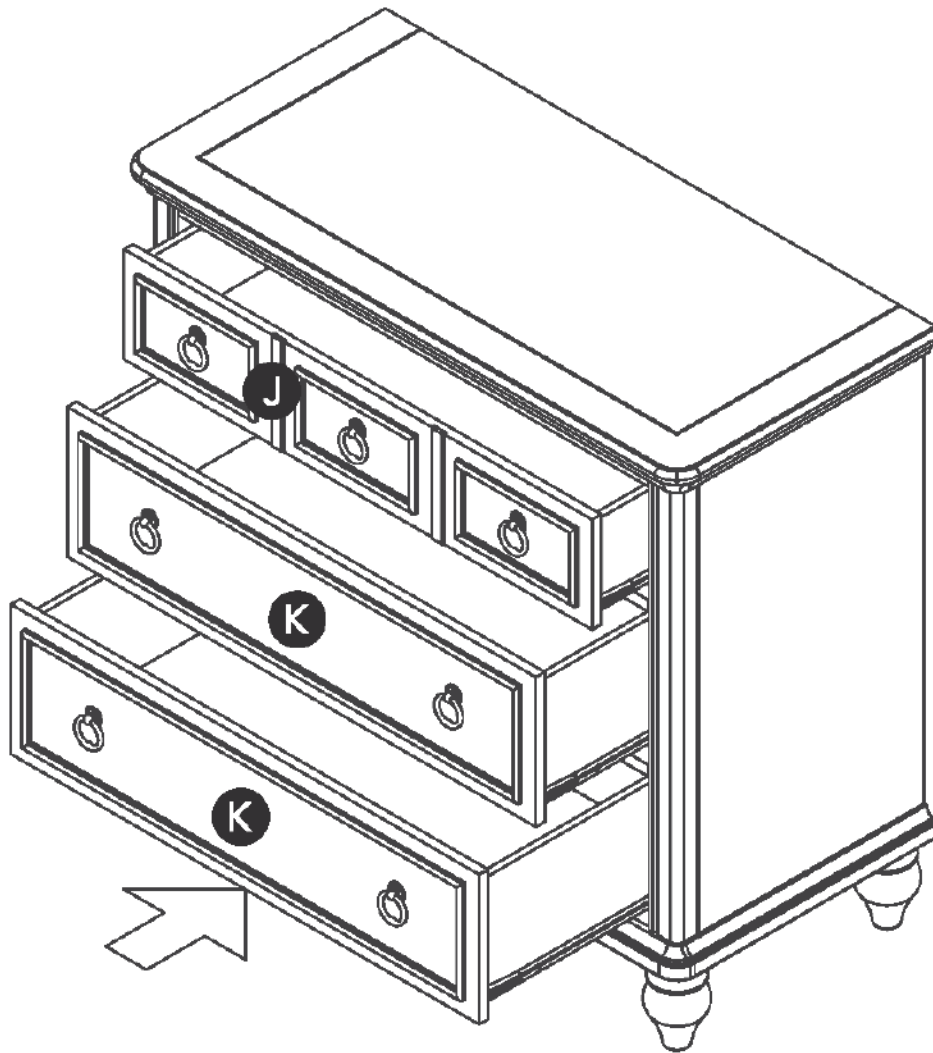
Make sure drawer front panels do not move and lock drawer front panels into position with 3/4" Flat Head Screws.

Note: These 3/4" Flat Head Screws must be installed to complete the drawer assembly.



STEP 18

Slide Drawers (J) and (K) into position.



CARE INSTRUCTIONS

NEVER

allow liquids to remain on furniture.
Absorption causes parts to warp
and split and finishes to delaminate.

NEVER

use glass cleaners on
finished furniture. Ammonia
chemically attacks the finish.



Do not use power tools
above 8 volts to assemble.

**PREVENT
CRACKING**



Do not place
in direct sunlight.

**PREVENT
FADING**



Do not write
directly on surface.

**PREVENT
MARKING**



Do not place hot
objects on surface.

**PREVENT
FINISH DAMAGE**



Do not use rubber
based placemats.

**PREVENT
DISCOLORING**



Do not use commercial
waxes and polishes.

**PREVENT
YELLOWING**

CLEAN

with a soft cloth moistened
in lukewarm soap and water.
Buff with a dry clean cloth.



Home Styles will provide replacements free of charge for missing or damaged hardware or parts within 30 days of purchase. Digital images of the defective parts may be required. If the product was not purchased from an authorized retail affiliate, Home Styles is under no obligation to provide replacement parts. Parts are not available for fully assembled items nor are parts available for sale. Replacements for missing or damaged hardware or parts may be requested at: