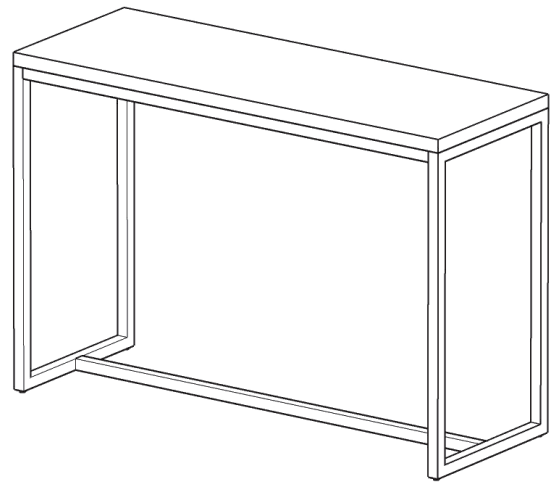


# Console Table



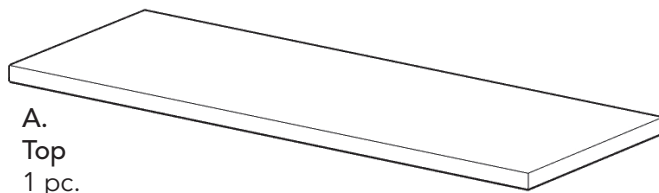
## IMPORTANT

Carefully remove all the parts from the carton and place them individually on a soft cloth to prevent scratches or other damage.

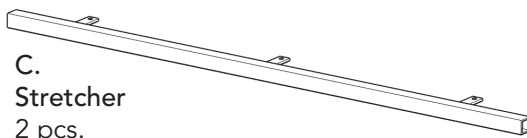
Carefully and strictly follow these assembly instructions to ensure a completed product as designed.

Do not use power tools above 8 volts to assemble.

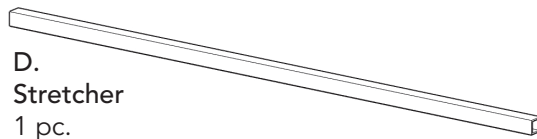
## Part List



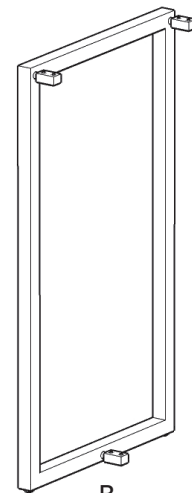
A.  
Top  
1 pc.



C.  
Stretcher  
2 pcs.

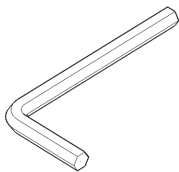


D.  
Stretcher  
1 pc.



B.  
Side Frame  
2 pcs.

## Hardware List



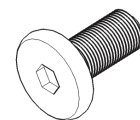
Hex Wrench  
1 pc.



Small Hex Wrench  
1 pc.



Flat Washer  
6 pcs. (+1 extra)



M6x15  
Head Cap Bolt  
18 pcs. (+1 extra)

## Care Instructions

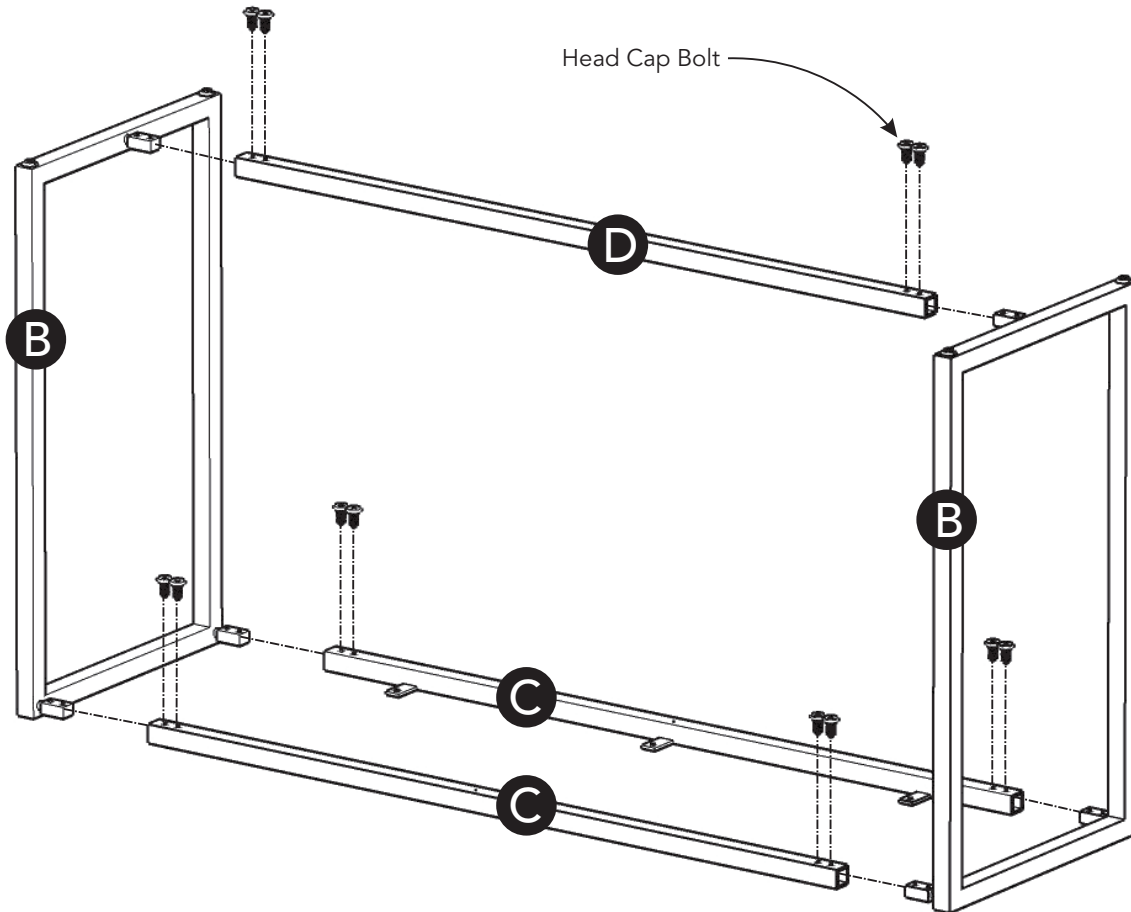
The concrete top is made of natural stone materials with naturally occurring fissures and cavities. A sealer has been applied to the concrete to reduce the absorption of liquids. Even with sealer applied, liquids can absorb into the concrete causing permanent stains. Never allow liquids to remain on the top.

Tool(s) required for assembly: Level

## Assembly Instructions 2/4

### IMPORTANT

- Use a soft cloth between these parts and the floor.
- Do not use power tools above 8 volts to assemble.
- Do not tighten all the bolts until each part is properly assembled.
- The unit must be level to work properly. Use the included adjustable levelers to level.
- Keep Hex Wrench as the bolts may need to be tightened in the future.



### STEP 1

Attach Stretchers (C) and (D) to Side Frame (B) with Head Cap Bolts, tightening bolts only halfway. (See Figure 1)

Attach Side Frame (B) to unit with Head Cap Bolts, tightening bolts only halfway.

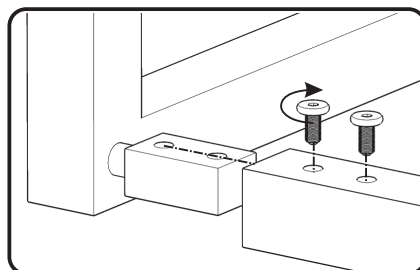
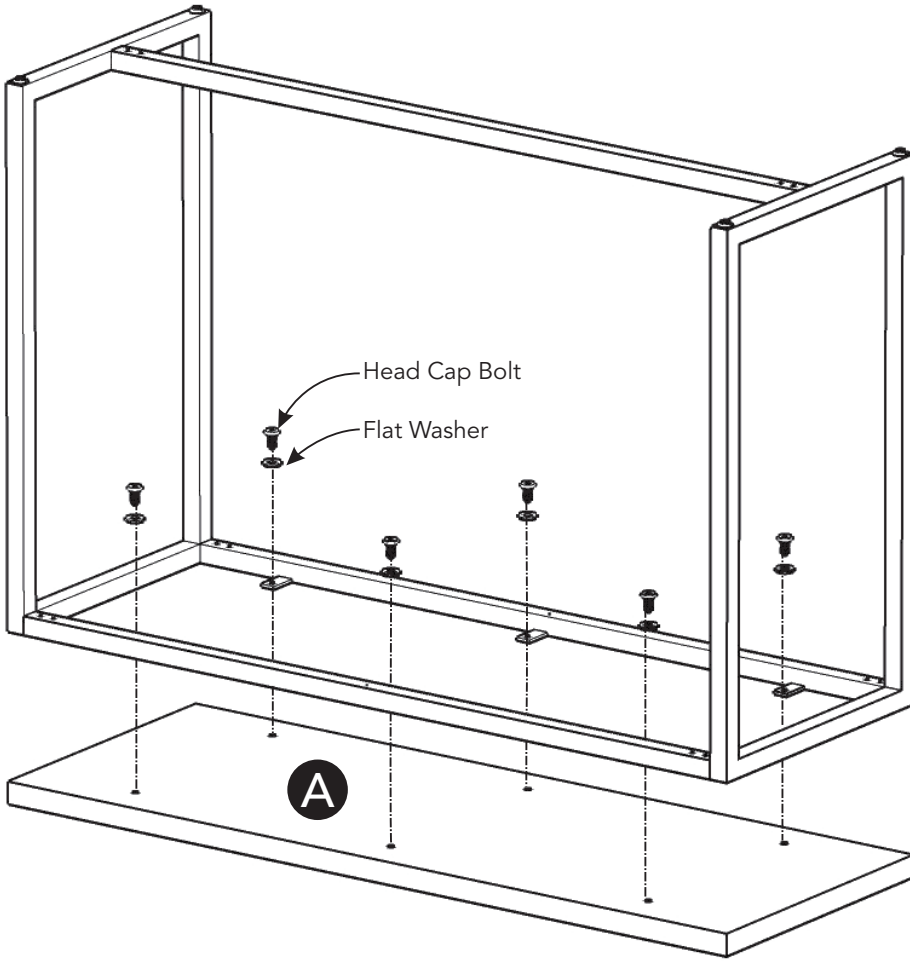


Figure 1

## Assembly Instructions 3/4



### STEP 2

Place Top (A) upside down on a soft cloth.

Attach unit to Top (A) with Flat Washers and Head Cap Bolts, tightening bolts only halfway.

Tighten all Head Cap Bolts used in Steps 1 and 2.

### STEP 3

Turn unit over to its upright position.

Level unit by adjusting the adjustable levelers on bottom of unit. (See Figure 2)

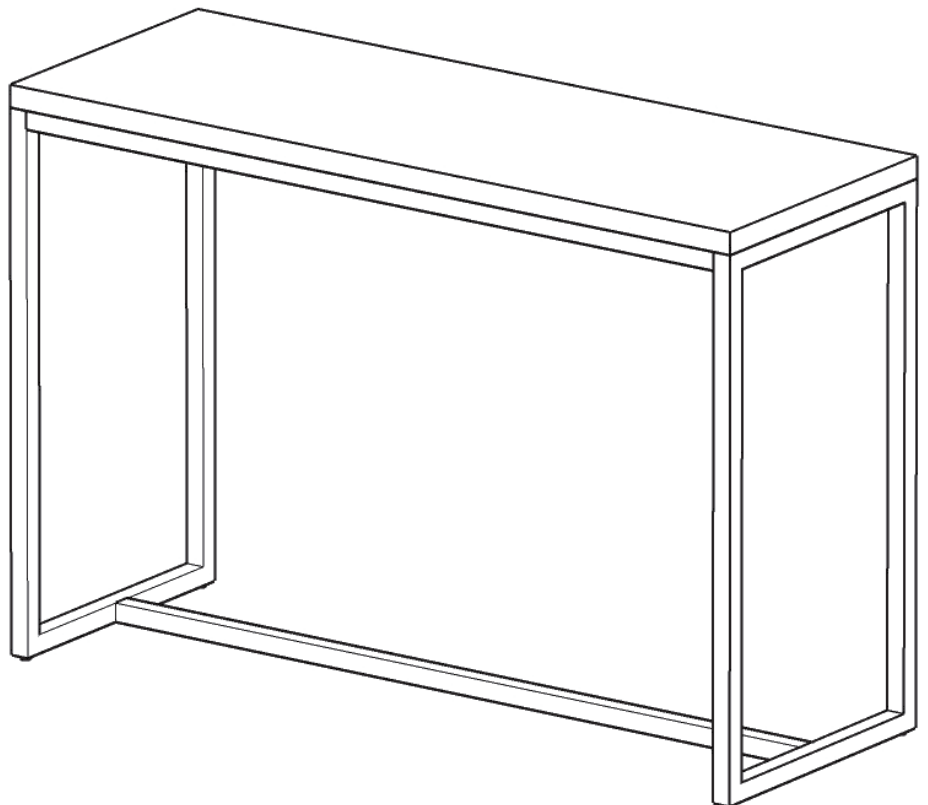


Figure 2

## Assembly Instructions 4/4

### IMPORTANT

- To help reduce the risk of the unit tipping over, the Tip-over Restraint must be installed following these instructions exactly.

### STEP 4

Place unit at desired location.

Drill a 3/8" hole in wall in-line with pre-drilled hole at top of unit.

Move unit.

Insert Anchor into the wall hole and attach Bracket with Wall Screw.

Attach Bracket at pre-drilled hole at top of unit with Machine Screw.

Move unit back into place.

Slide Tip-over Restraint through Bracket on wall and Bracket on unit.  
(See Figure 3)

Put tie end of Tip-over Restraint into lock end of Tip-over Restraint and pull until tight.

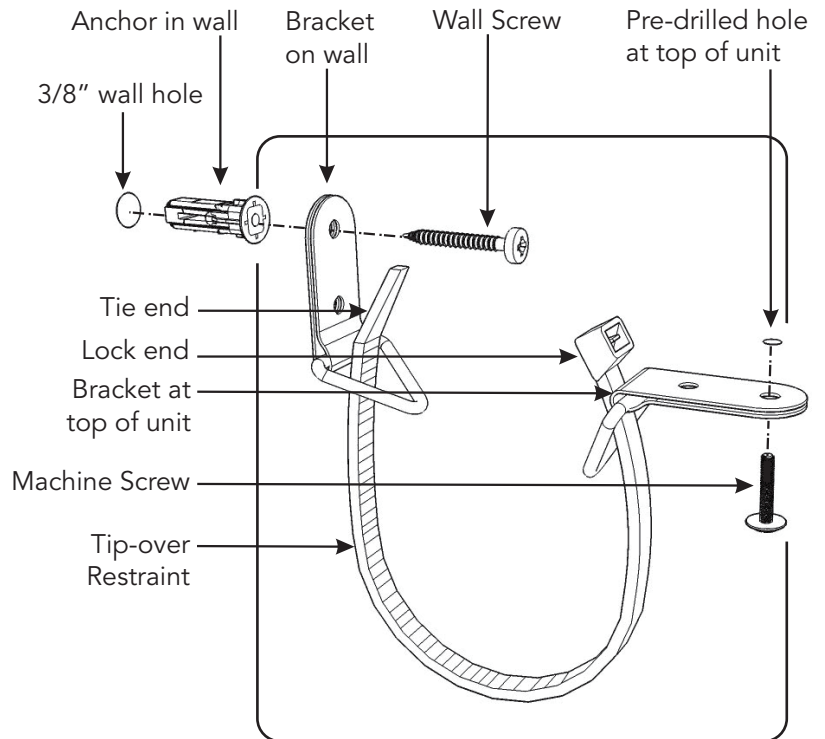
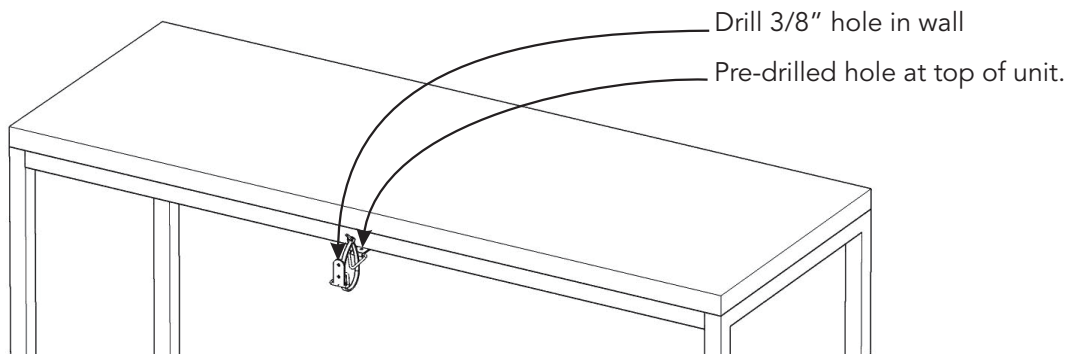
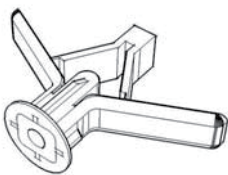


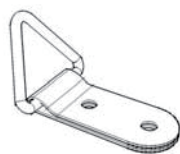
Figure 3



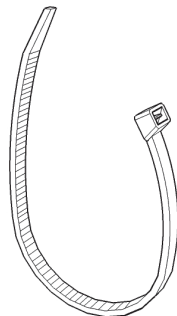
### Hardware List



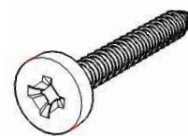
Anchor  
1 pc. (+1 extra)



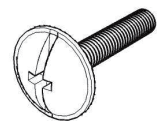
Bracket  
2 pcs. (+1 extra)



Tip-over Restraint  
1 pc. (+1 extra)



M3.5x40  
Wall Screw  
1 pc. (+1 extra)



M4x16  
Machine Screw  
1 pc. (+1 extra)

# CARE INSTRUCTIONS

## NEVER

allow liquids to remain on furniture.  
Absorption causes parts to warp  
and split and finishes to delaminate.

## NEVER

use glass cleaners on  
finished furniture. Ammonia  
chemically attacks the finish.



Do not use power tools  
above 8 volts to assemble.  
**PREVENT  
CRACKING**



Do not place  
in direct sunlight.  
**PREVENT  
FADING**



Do not write  
directly on surface.  
**PREVENT  
MARKING**



Do not place hot  
objects on surface.  
**PREVENT  
FINISH DAMAGE**



Do not use rubber  
based placemats.  
**PREVENT  
DISCOLORING**



Do not use commercial  
waxes and polishes.  
**PREVENT  
YELLOWING**

## CLEAN

with a soft cloth moistened  
in lukewarm soap and water.  
Buff with a dry clean cloth.



Home Styles will provide replacements free of charge for missing or damaged hardware or parts within 30 days of purchase. Digital images of the defective parts may be required. If the product was not purchased from an authorized retail affiliate, Home Styles is under no obligation to provide replacement parts. Parts are not available for fully assembled items nor are parts available for sale. Replacements for missing or damaged hardware or parts may be requested at: