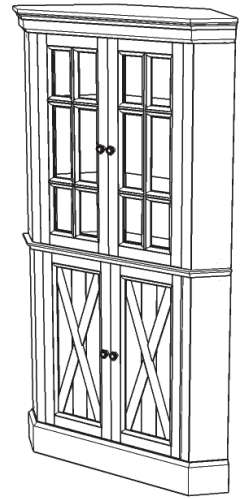


Corner Cabinet**IMPORTANT**

Carefully remove all the parts from the carton and place them individually on a soft cloth to prevent scratches or other damage.

Carefully and strictly follow these assembly instructions to ensure a completed product as designed.

Do not use power tools above 8 volts to assemble.

**Part List**

C.
Side Panel
1 Pc.



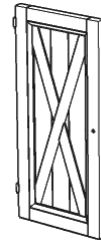
D.
Side Panel
2 Pcs.



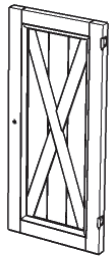
E.
Side Panel
1 Pc.



F.
Back Panel
1 Pc.



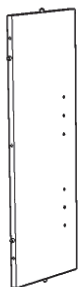
I.
Door
1 Pc.



J.
Door
1 Pc.



K.
Side Panel
1 Pc.



L.
Side Panel
1 Pc.



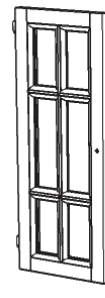
M.
Side Panel
1 Pc.



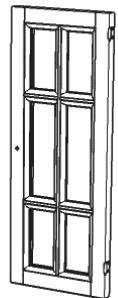
N.
Side Panel
1 Pc.



O.
Back Panel
1 Pc.



P.
Door
1 Pc.



Q.
Door
1 Pc.

Carton 20 05525 0681 is also needed for assembly.

Tool(s) required for assembly: Phillips screwdriver, Level

Assembly Instructions 2/7

IMPORTANT

- Use a soft cloth between these parts and the floor.
- Do not use power tools above 8 volts to assemble.
- Do not tighten all the bolts until each part is properly assembled.
- The unit must be level to work properly. Use the included adjustable levelers to level.

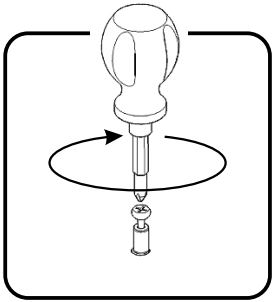


Figure 1

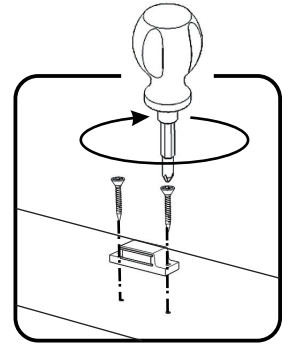
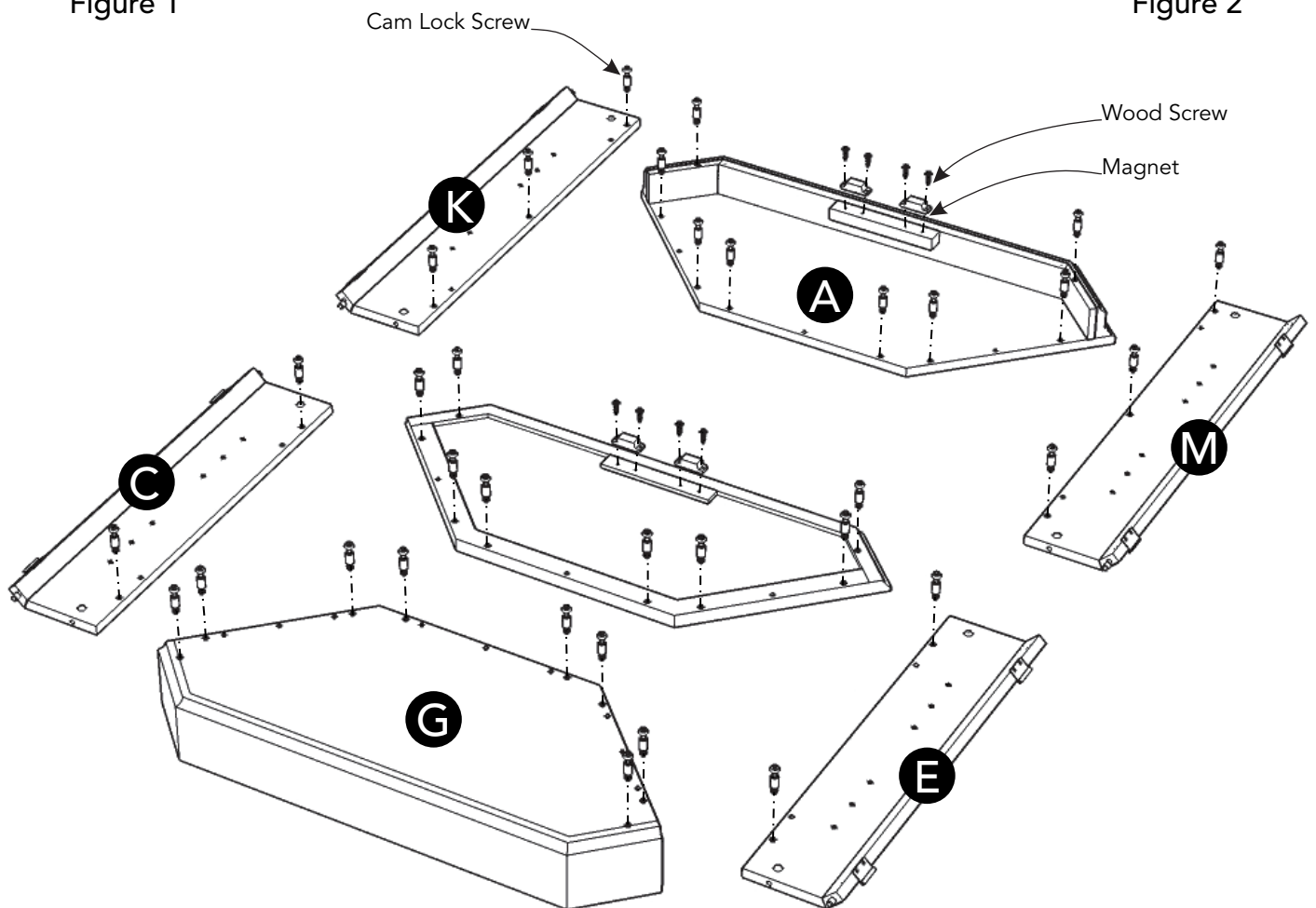


Figure 2



STEP 1

Insert Cam Lock Screws into pre-drilled holes in Top (A), Side Panels (C), (E), (K), (M), Fixed Shelf (B) and Base (G), then tighten. (See Figure 1)

Attach Magnets to Top (A) and Fixed Shelf (B) with Wood Screws into pre-drilled holes. (See Figure 2)

STEP 2

Attach Side Panel (C) to Side Panel (D) with Cam Locks. (See Figure 3)

Attach Side Panel (E) to Side Panel (D) with Cam Locks.

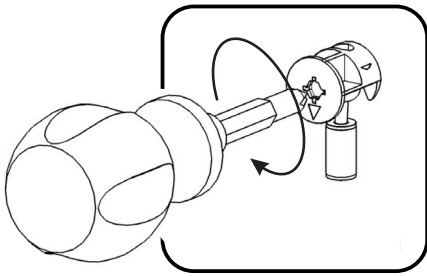
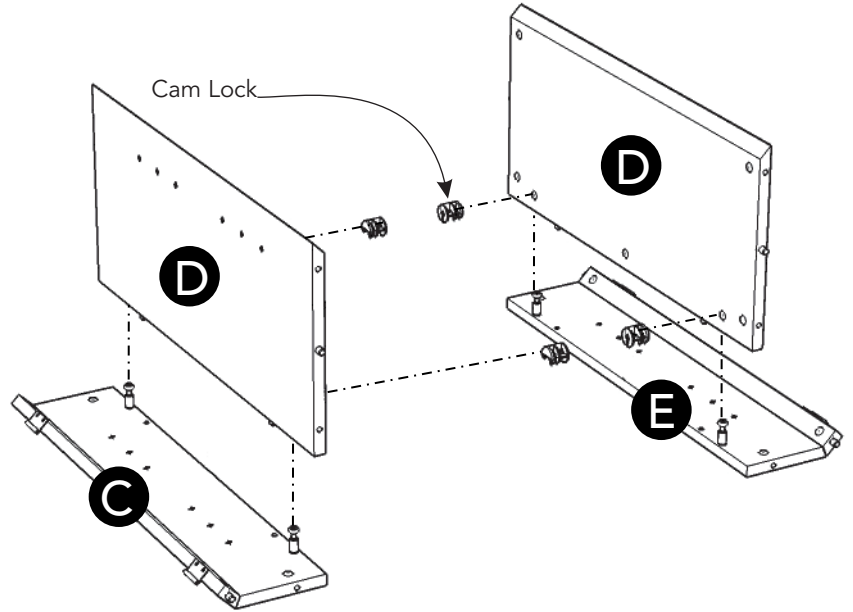


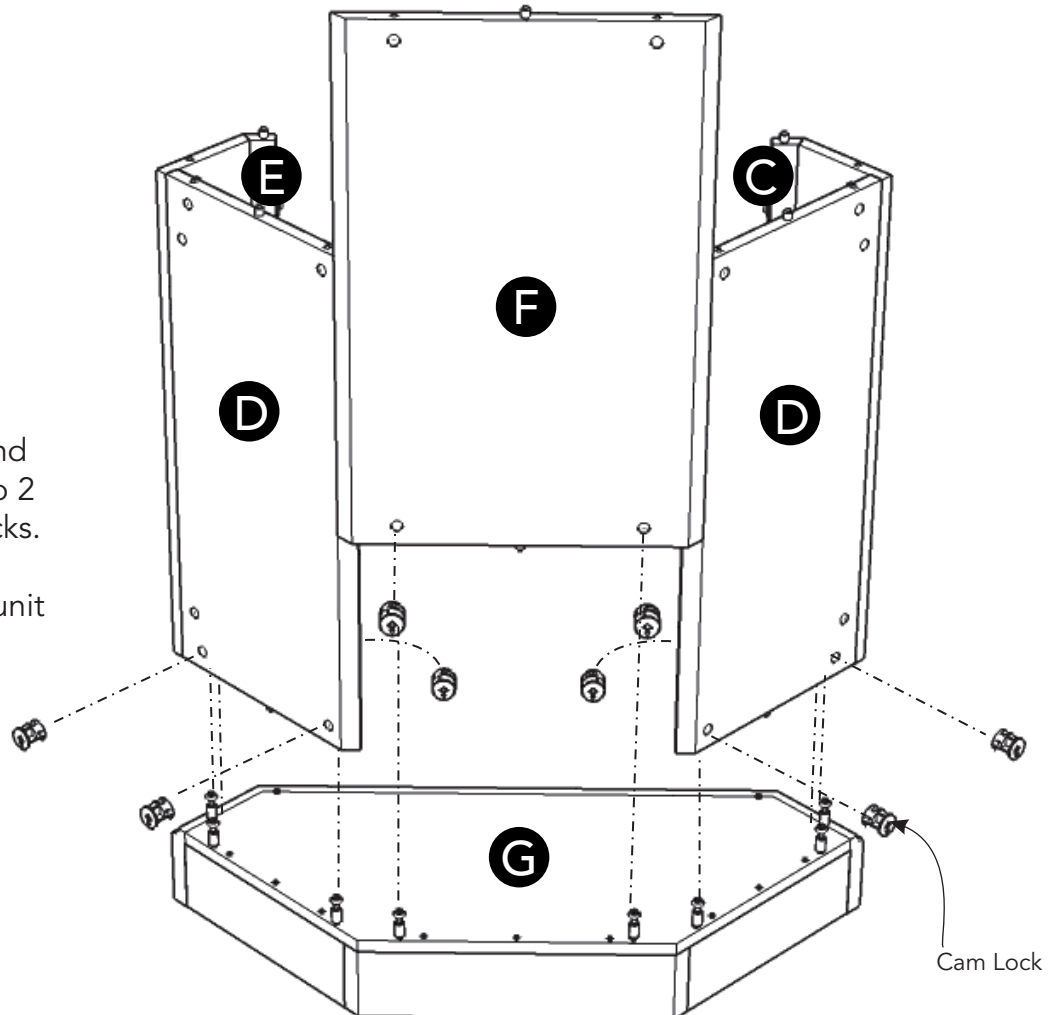
Figure 3



STEP 3

Attach Side Unit (C, D) and Side Unit (E, D) from Step 2 to Base (G) with Cam Locks.

Attach Back Panel (F) to unit with Cam Locks.



Assembly Instructions 4/7

STEP 4

Insert Adjustable Pins into side panels at desired level. (See Figure 4)

Place Shelves (H) into position.

Attach Doors (I) and (J) to unit by sliding door hinges into side panel hinges. (See Figure 5)

Attach Knobs to Doors (I) and (J) with Machine Screws. (See Figure 6)

Attach Fixed Shelf (B) to unit with Cam Locks.

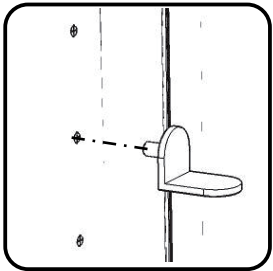
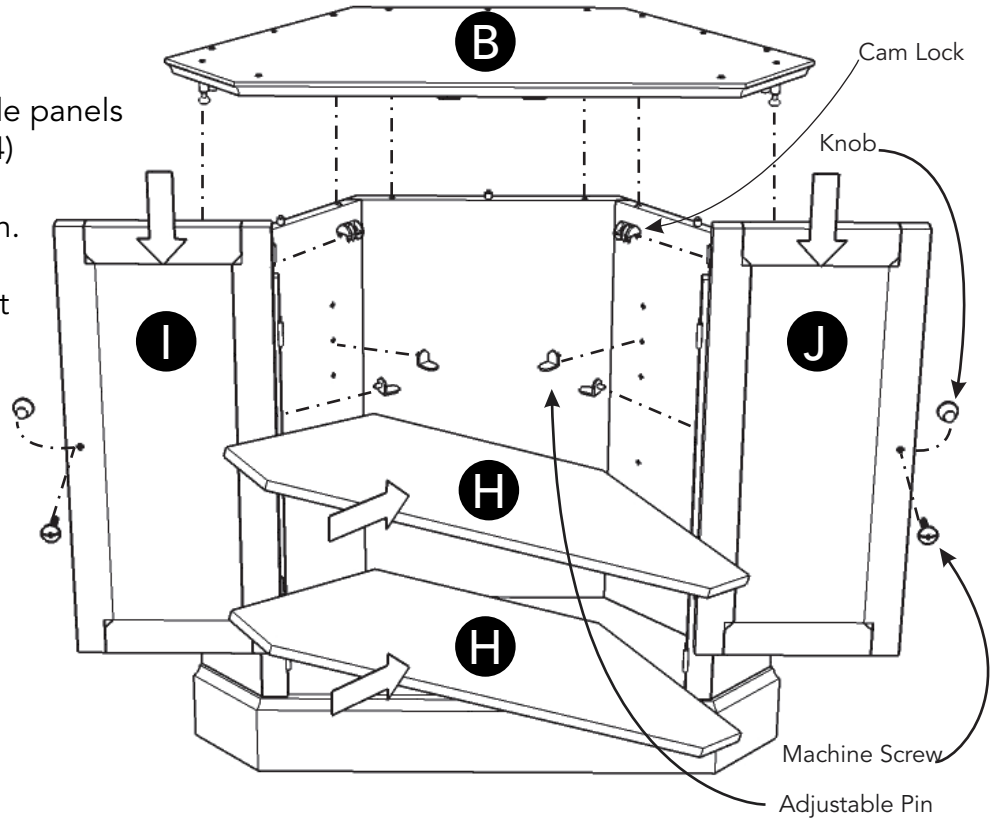


Figure 4

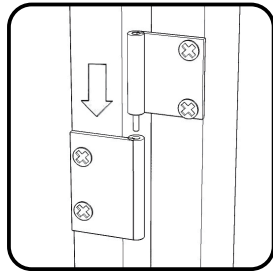


Figure 5

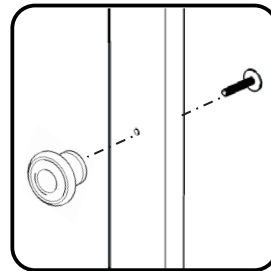
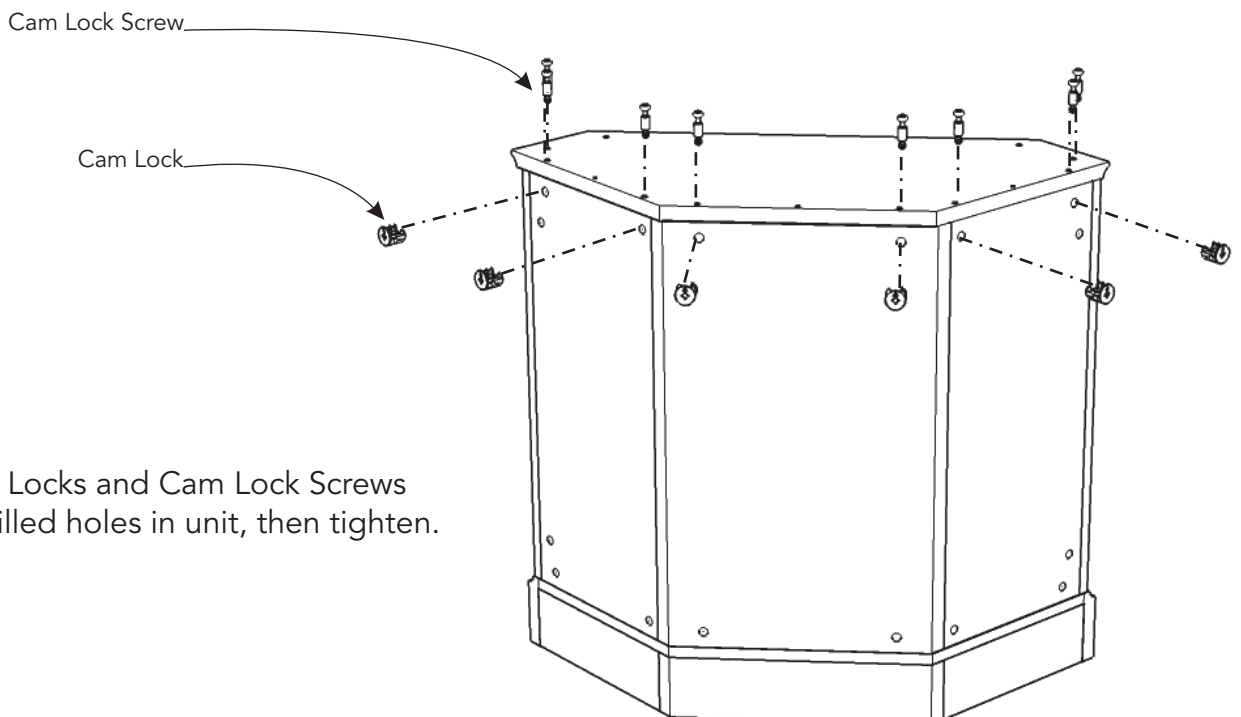


Figure 6



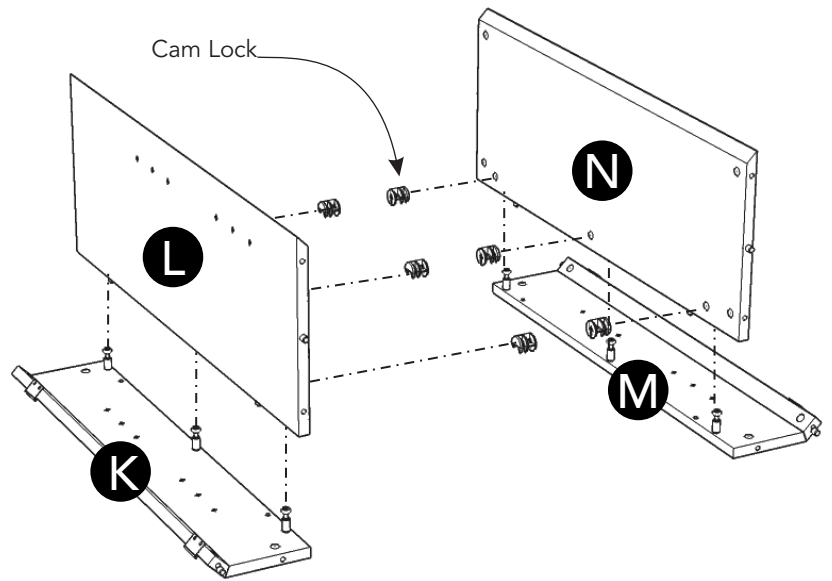
STEP 5

Insert Cam Locks and Cam Lock Screws into pre-drilled holes in unit, then tighten.

STEP 6

Attach Side Panel (K) to Side Panel (L) with Cam Locks.

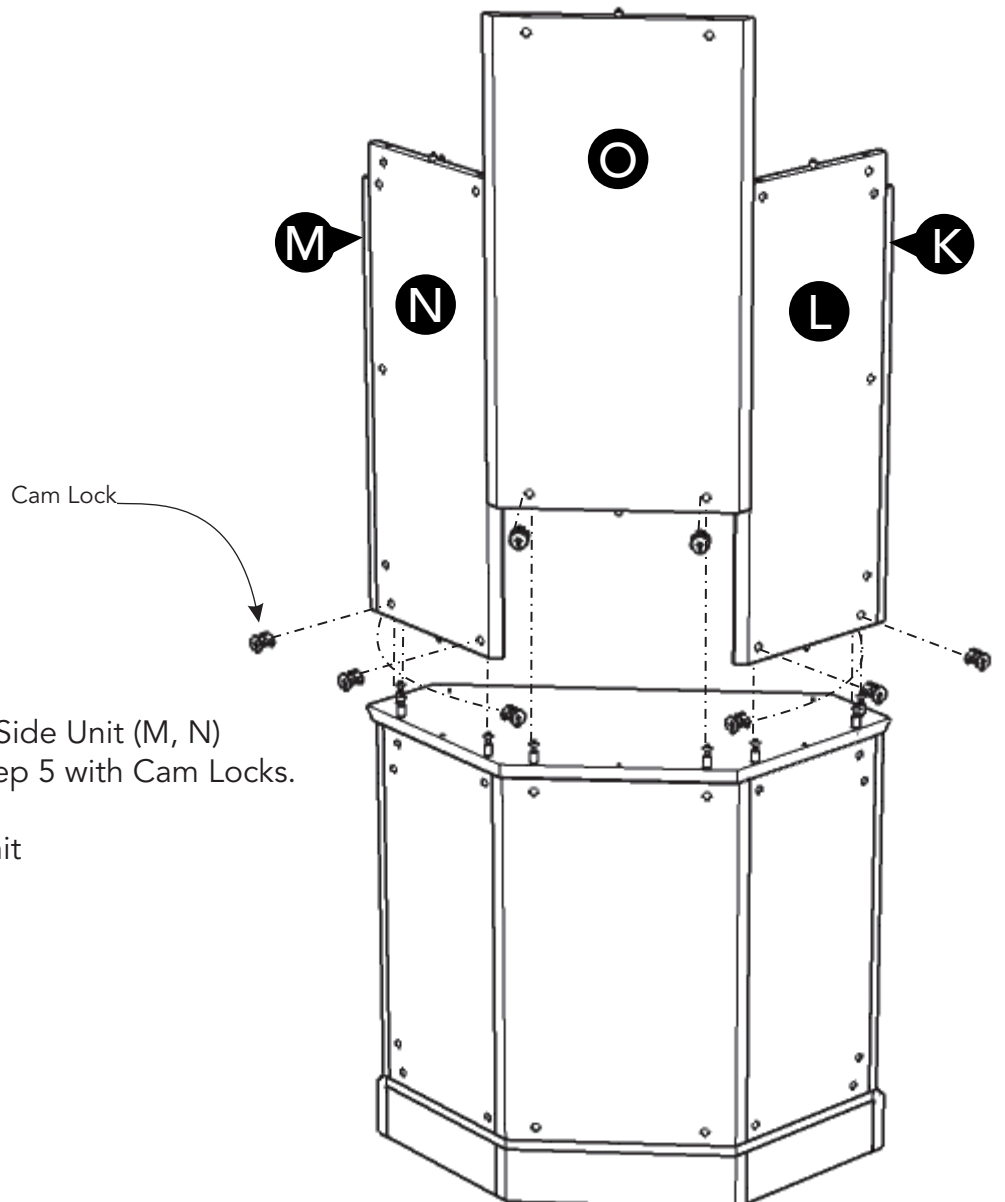
Attach Side Panel (M) to Side Panel (N) with Cam Locks.



STEP 7

Attach Side Unit (K, L) and Side Unit (M, N) from Step 6 to unit from Step 5 with Cam Locks.

Attach Back Panel (O) to unit with Cam Locks.



Assembly Instructions 6/7

STEP 8

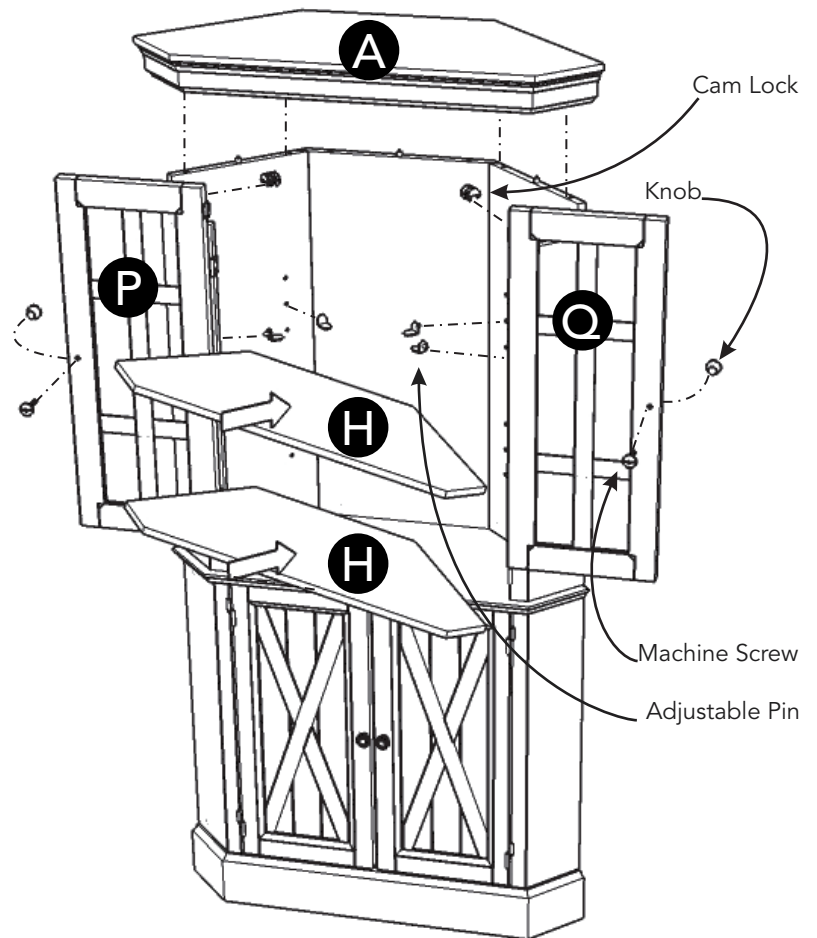
Insert Adjustable Pins into side panels at desired level.

Place Shelves (H) into position.

Attach Doors (P) and (Q) to unit by sliding door hinges into side panel hinges.

Attach Knobs to Doors (P) and (Q) with Machine Screws.

Attach Top (A) to unit with Cam Locks.



STEP 9

Insert Cam Locks into pre-drilled holes of unit, then tighten.

Level unit by adjusting the adjustable levelers on bottom of unit. (See Figure 7)

Note: Unit must be level to work properly.

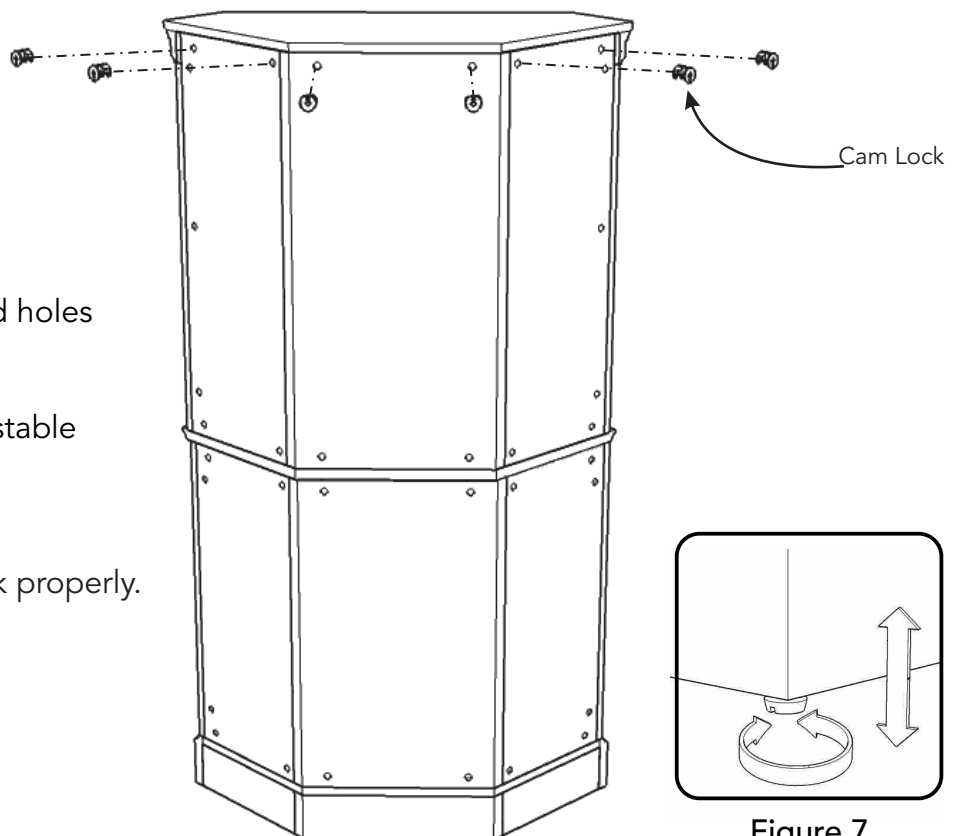


Figure 7

Assembly Instructions 7/7

IMPORTANT

- To help reduce the risk of the unit tipping over, the Tipover Restraint must be installed following these instructions exactly.

STEP 10

Place unit at desired location.

Drill a 3/8" hole in wall in-line with the pre-drilled hole at top of unit.

Move unit.

Insert Anchor into the wall holes and attach Brackets with Wall Screws.

Attach Brackets at pre-drilled holes at top of unit with Wood Screws.

Move unit back into place.

Slide Tipover Restraints through Brackets on wall and Brackets on unit.
(See Figure 8)

Put tie end of Tipover Restraints into lock end of Tipover Restraints and pull until tight.

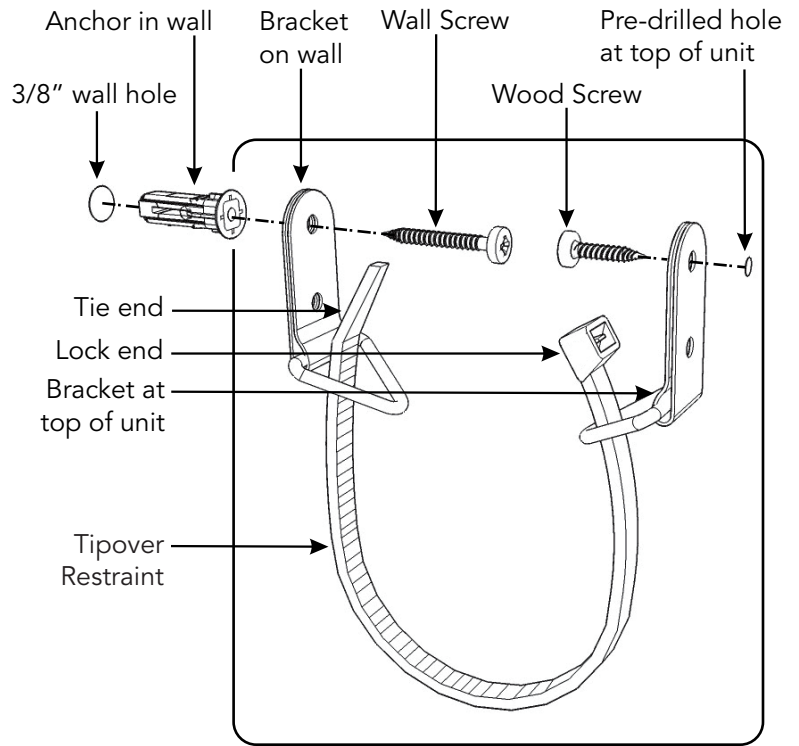
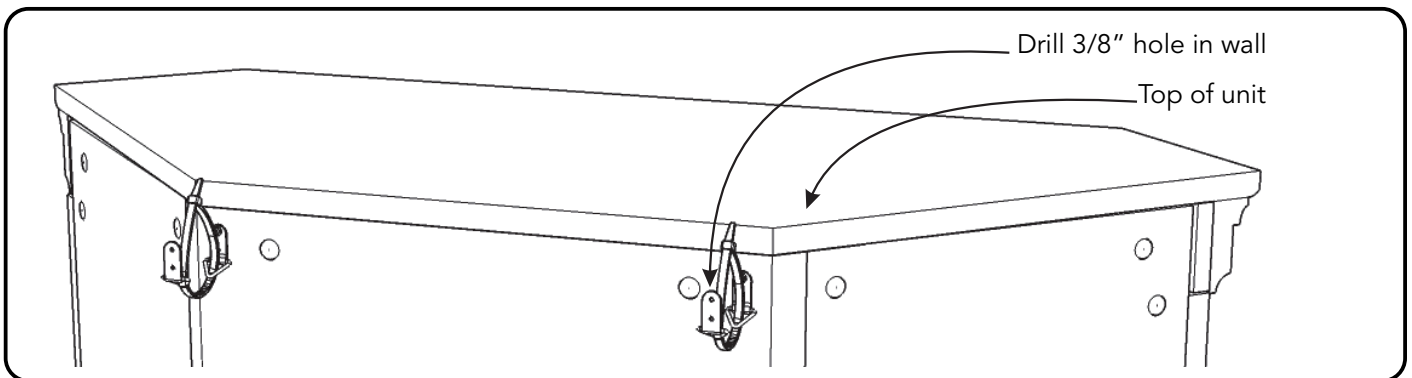
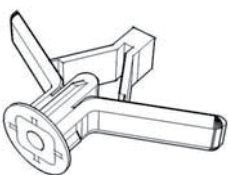


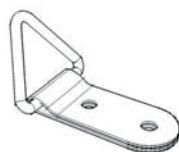
Figure 8



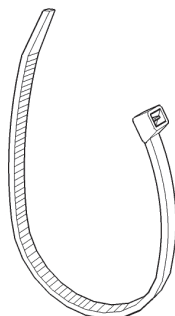
Hardware List



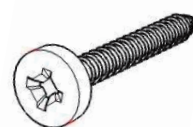
Anchor
2 pcs. (+1 extra)



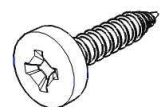
Bracket
4 pcs. (+1 extra)



Tipover Restraint
2 pcs. (+1 extra)



M3.5x40
Wall Screw
2 pcs. (+1 extra)



M3.5x16
Wood Screw
2 pcs. (+1 extra)

CARE INSTRUCTIONS

NEVER

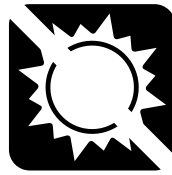
allow liquids to remain on furniture.
Absorption causes parts to warp
and split and finishes to delaminate.

NEVER

use glass cleaners on
finished furniture. Ammonia
chemically attacks the finish.



Do not use power tools
above 8 volts to assemble.
**PREVENT
CRACKING**



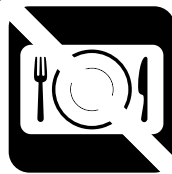
Do not place
in direct sunlight.
**PREVENT
FADING**



Do not write
directly on surface.
**PREVENT
MARKING**



Do not place hot
objects on surface.
**PREVENT
FINISH DAMAGE**



Do not use rubber
based placemats.
**PREVENT
DISCOLORING**



Do not use commercial
waxes and polishes.
**PREVENT
YELLOWING**

CLEAN

with a soft cloth moistened
in lukewarm soap and water.
Buff with a dry clean cloth.



Home Styles will provide replacements free of charge for missing or damaged hardware or parts within 30 days of purchase. Digital images of the defective parts may be required. If the product was not purchased from an authorized retail affiliate, Home Styles is under no obligation to provide replacement parts. Parts are not available for fully assembled items nor are parts available for sale. Replacements for missing or damaged hardware or parts may be requested at: