

Identify parts before assembling.

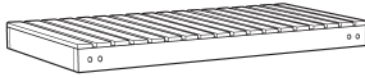
Ax4
Uprights



Bx2
Shelf



Cx1
Top



Dx16
Hex Wood Screw



Ex8
Flat Head Wood Screws



Fx8
Nut



Gx8
Washer



Hx16
White Screw Cap



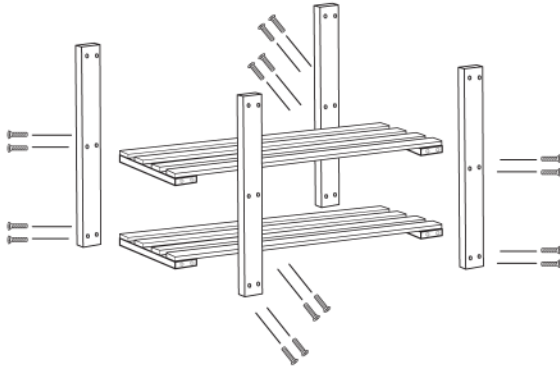
Ix8
Brown Screw Cap



Jx1
Allen Wrench



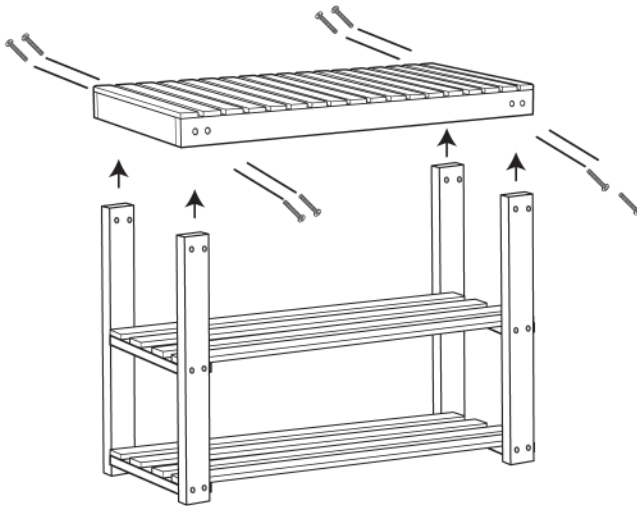
1



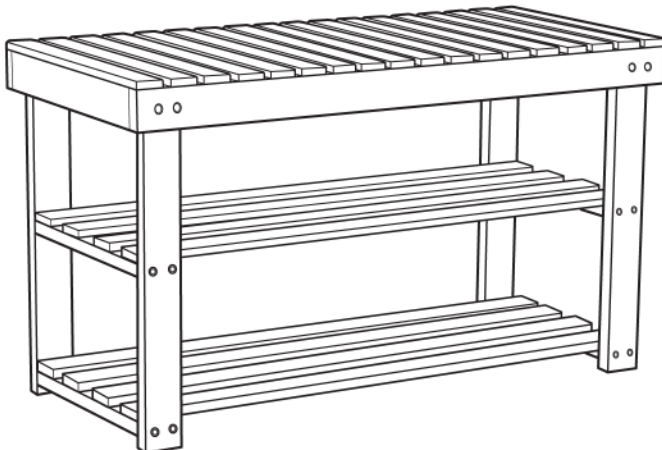
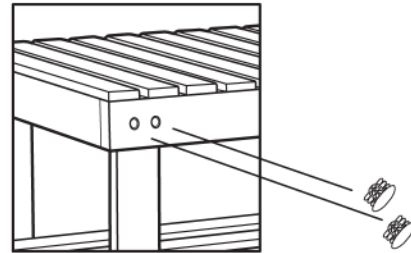
1. Attach uprights (A) to shelves (B) with hex wood screws (D)
2. Attach top (C) to uprights (A) with flat head wood screw (E). Tighten using washer (G) and nut (F).
3. Cover upright (A) screw head with white screw cap (H).
4. Cover top (C) screw heads with brown screw cap (I).

Weight limit 175 lbs.

2



3&4



©HOUSEHOLD ESSENTIALS

kitchensource.com

1.800.667.8721