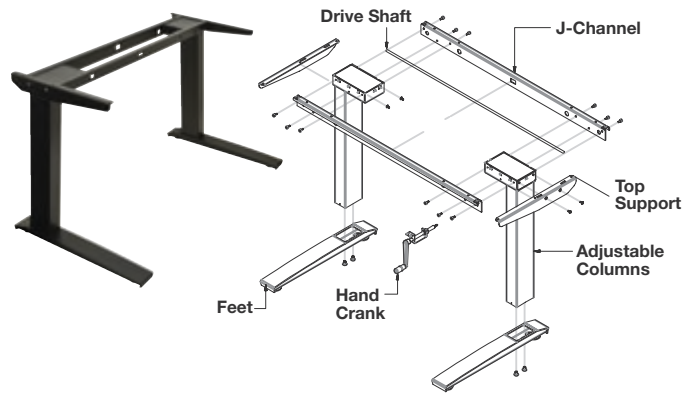


**Adjustable Table System - Conversion
 Hand Crank System**

- A flexible component based system for constructing straight C-Frame style adjustable table bases
- Components simply bolt together

Ordering:

- 1 Choose a Hand Crank Column set from below.
- 2 Choose appropriate Feet and Top Support Sets for top depths 24" or 30".
- 3 Choose appropriate Hand Crank J-Channel/Drive Shaft sets.



6



Hand Crank

Hand Crank Column Set

- Crank can be installed in either R/H or L/H Side Bases
- Cranks per inch: 6
- Height range: 658 – 1123 mm (25 7/8" – 44 1/4"), not including top thickness
- Stroke: 465 mm (18 1/4")
- Weight rating: 113 kg (250 lbs.) including work surface

Material: Steel, epoxy-coated

Color	Item No.
silver RAL 9006	630.45.210
black RAL 9011	630.45.310

Supplied With

- L/H and R/H Adjustable columns
- Hand crank
- Hardware pack
- Levelers with M8 threads

Note

Weight rating is based on:

- An evenly distributed load over table top
- Table base constructed using prescribed components; columns, feet, top supports and J-channels

Feet and top supports	page 6.50
J-Channels	page 6.50

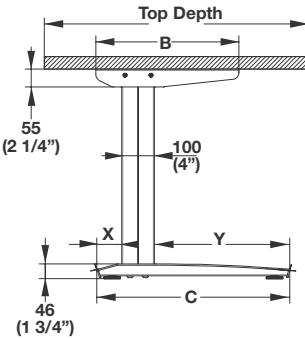
Dimensions in mm
 Inches are approximate

Components for Adjustable Table System - Conversion

- Feet and Top Supports are for both Hand Crank and Electric bases

Ordering:

- 1 Choose Column set.
- 2 Choose appropriate Feet and Top Support set.
- 3 Choose appropriate J-Rail set.



Feet and Top Support Set

- For 24" deep tops

Material: Steel, epoxy-coated

Color	Item No.
silver RAL 9006	630.45.223
black RAL 9011	630.45.323

Feet and Top Support Set

- For 30" deep tops

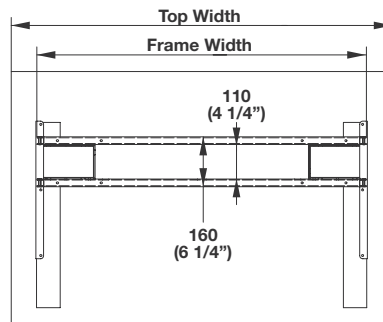
Material: Steel, epoxy-coated

Color	Item No.
silver RAL 9006	630.45.224
black RAL 9011	630.45.324

Top Depth	B	C	X	Y
24"	17 1/4"	21 3/4"	5 1/4"	12 1/2"
30"	23 1/4"	27 3/4"	5 1/2"	18 1/4"

Supplied With

- 2 Feet
- 2 Top Supports



J-Channel and Drive Shaft Sets - Hand Crank

Material: Steel, epoxy-coated; Color: black

Recommended Top Width	Actual Base Width	Item No.
48"	994 (39 1/8")	630.45.333
54"	1147 (45 1/8")	630.45.334
60"	1299 (51 1/8")	630.45.335
66"	1452 (57 1/8")	630.45.336
72"	1604 (63 1/8")	630.45.337
78"	1756 (69 1/8")	630.45.338
84"	1909 (75 1/8")	630.45.339

Supplied With

- 2 J-Channels
- 1 Hexagonal Drive Shaft

Dimensions in mm
 Inches are approximate