



## Enclume® Craftsman Multipurpose Bench

Thank You for choosing Enclume.

Please read all the instructions prior to assembly. The bench already comes partially assembled. Should you require any assistance, please call our customer service at 1-877-ENCLUME

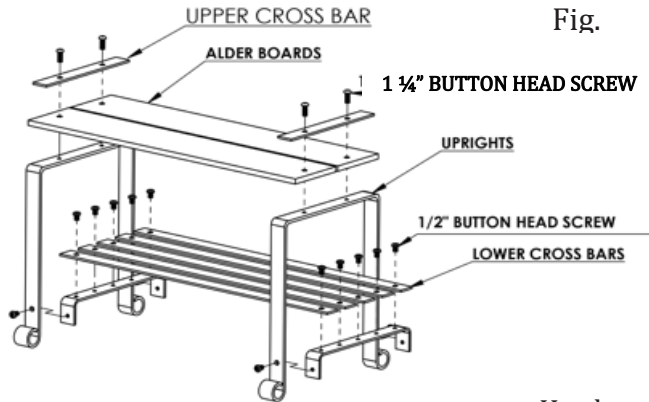


Fig.

### Assembly

1. Remove the components from the box and lay bench frame on the floor as shown in Fig. B.
2. Unfold and raise the upright arms of the steel frame from under the lower cross bars and **bring around so the Lower Cross Bars are face up** and erect the stand as shown in the Fig. C. Please make sure that all components are aligned and tighten button head screws before attaching boards.
3. Place wooden bench top boards on top of the uprights with the rounded edges facing out and secure with upper cross bar using the 1 1/4" Button Head screws as shown in Fig. A and Fig.D. Please note that Boards are labeled Board 1 and Board 2 with directional arrows. Ensure the label side is up and with arrows positioned as shown and that rounded edges of the boards face the corners of the bench. The square edges should face the middle facing the other board.
4. Lastly, ensure the bench is aligned straight before tightening all button head screws. Tighten board screws and upright leg screws firmly for safety. Do not overtighten. To adjust, just slightly loosen screws and adjust if needed. Save your Allen wrench to periodically tighten the bench

### Hardware included:

- 4 - 1 1/4" Button Head Screws
- 14 - 1/2" Button Head Screws
- 1 - 7/32" Allen Wrench

### Components included:

- 2 - Uprights
- 2 - Lower Support Bars
- 5 - Lower Cross Bars
- 2 - Alder Boards
- 2 - Upper Cross Bars

Fig. B

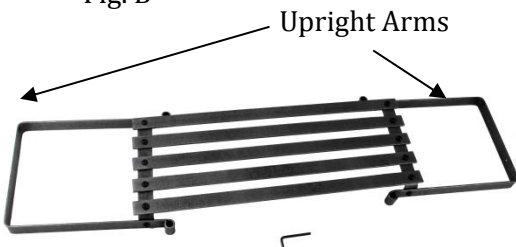


Fig. C

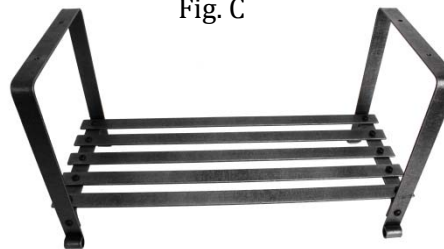
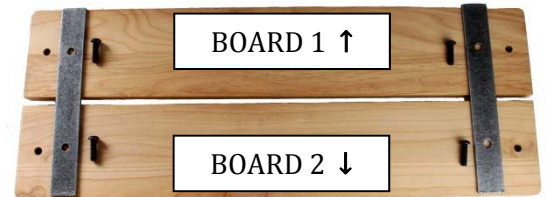


Fig. D



It is important that your bench is assembled correctly. If the unit is not assembled correctly or is used improperly, it could become unstable, possibly causing injury.

**Limited Warranty:** This product is warranted to be free of material defects for a period of five years from the date of purchase. Customer's exclusive remedy shall be the repair or replacement of the defective product and shall be subject to the following conditions: (1) notice of any defect is received by Enclume within the warranty period and (2) customer returns the defective product to Enclume Design Products, 24 Colwell St., Port Hadlock, WA 98339, *postage prepaid* within 20 days following a return authorization number (which may be obtained by telephoning the number at the top of this instruction) being provided to the customer by Enclume. There are no other warranties, expressed or implied. **THERE ARE NO WARRANTIES OF MERCHANTABILITY OR FITNESS FOR A PARTICULAR PURPOSE. ENCLUME SPECIFICALLY DISCLAIMS ANY AND ALL INCIDENTAL OR CONSEQUENTIAL DAMAGES ARISING OUT OF THE PURCHASE OR USE OF ENCLUME'S PRODUCTS.**