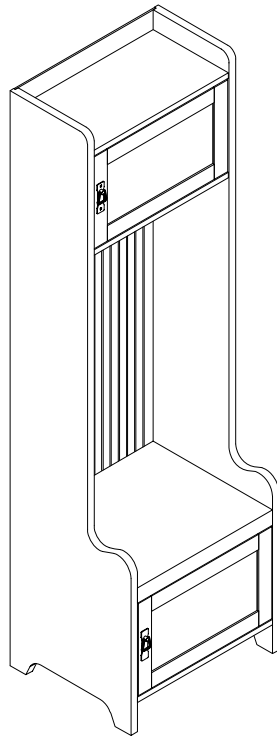
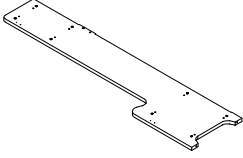
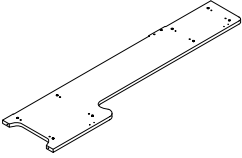
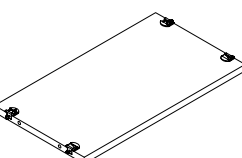
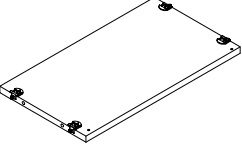
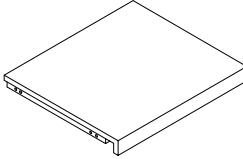
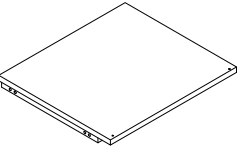
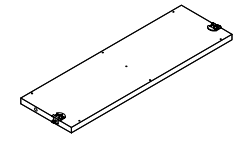
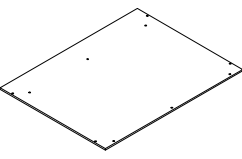
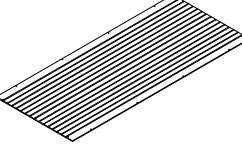
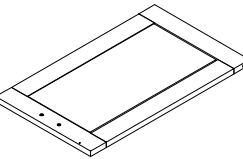









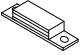
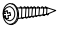


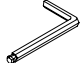

Entryway Tower CF6016



PART LIST

<p>A</p> 	<p>B</p> 	<p>C</p> 	<p>D</p> 	<p>E</p> 
<p>Left Side Panel 1 PC</p>	<p>Right Side Panel 1 PC</p>	<p>Top Shelf 1 PC</p>	<p>Middle Shelf 1 PC</p>	<p>Seat Panel 1 PC</p>
<p>F</p> 	<p>G</p> 	<p>H</p> 	<p>I</p> 	<p>J</p> 
<p>Bottom Panel 1 PC</p>	<p>Middle Back Panel 1 PC</p>	<p>Top Back Panel 1 PC</p>	<p>Bottom Back Panel 1 PC</p>	<p>Door Panel 2 PCS</p>

HARDWARE LIST

<p>#1</p> 	<p>#2</p>  <p>Ø8 x 30</p>	<p>#3</p>  <p>Ø7 x 3.5 x 20mm</p>	<p>#4</p> 	<p>#5</p>  <p>M4 x 13</p>
<p>Hook 2 PCS</p>	<p>Wood Dowel 19 PCS (Extra 1)</p>	<p>Long Screw 25 PCS (Extra 1)</p>	<p>Handle 2 PCS</p>	<p>Round Head Bolt 4 PCS</p>
<p>#6</p> 	<p>#7</p>  <p>D6 x Ø3 x 12</p>	<p>#8</p>  <p>Ø3.5 x 14</p>	<p>#9</p>  <p>M6 x 30</p>	<p>#10</p>  <p>4mm</p>
<p>Magnet 2 PCS</p>	<p>Magnet Screw 5 PCS (Extra 1)</p>	<p>Short Screw 5 PCS (Extra 1)</p>	<p>Bolt 8 PCS</p>	<p>Allen Wrench 1 PC</p>
<p>#12</p>  <p>Safety Strap Kit 1 PC</p>				

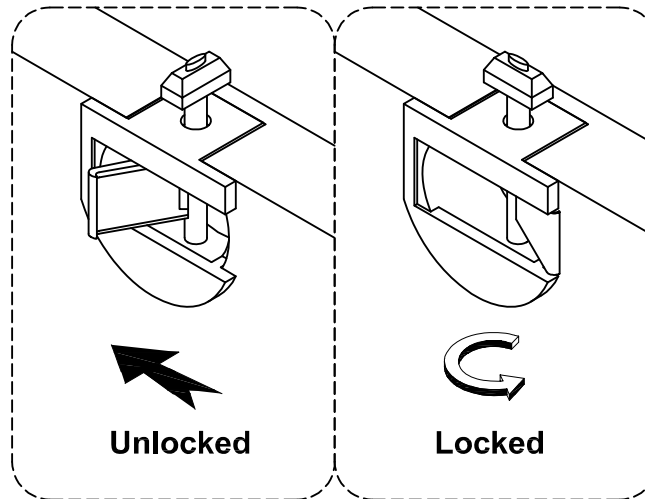
ADDITIONAL TOOLS (Not Provided)

Note: It is not recommended to use power tools during assembly.



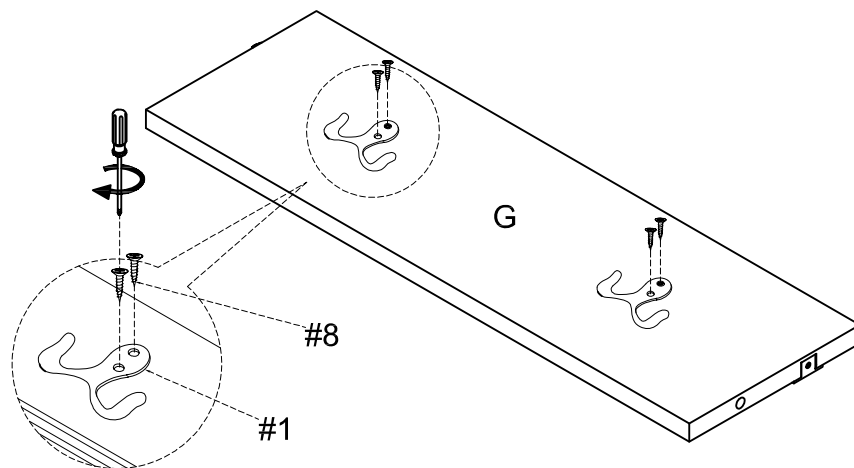
Phillips Head Screwdriver



Please do not use tools to assemble this unit unless specifically indicated.



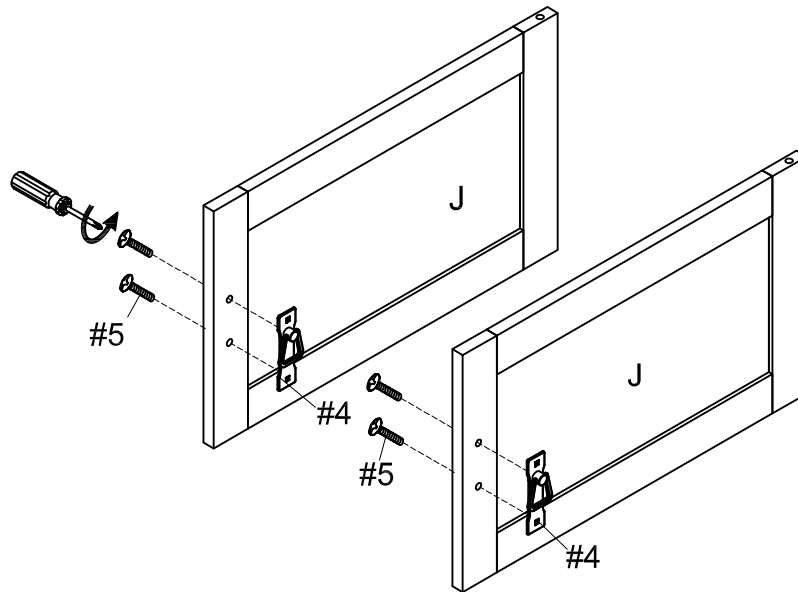
Reference the images above any time the instructions state "lock the hardware".
 Note: Be sure to check all hardware is locked when completed.



Step 1. Attach hooks (part #1) to middle back panel (part G) using short screws (part #8) and phillips head screwdriver.



- #1  x 2
- #8  x 4

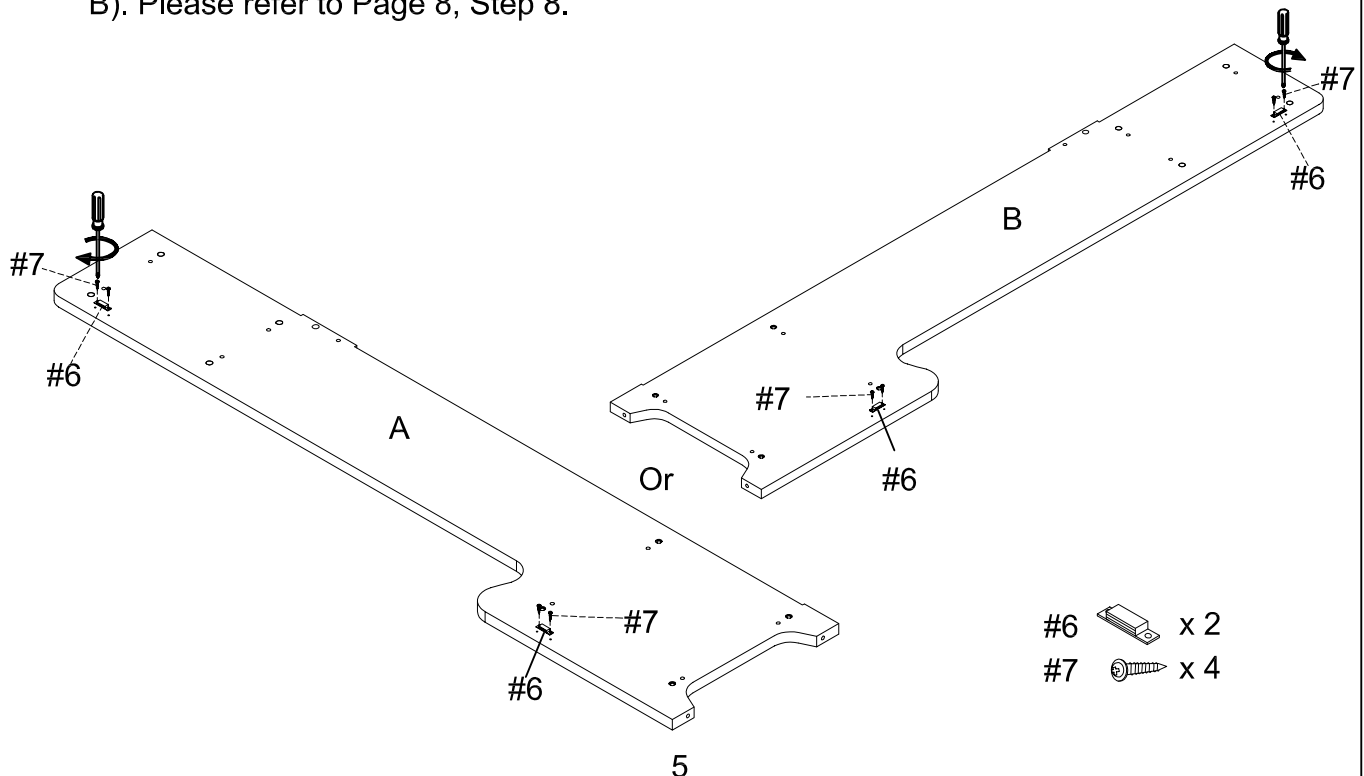
Step 2. Attach handles (part #4) to door panels (part J) using round head bolts (part #5) and phillips head screwdriver.

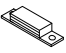



- #4  x 2
- #5  x 4

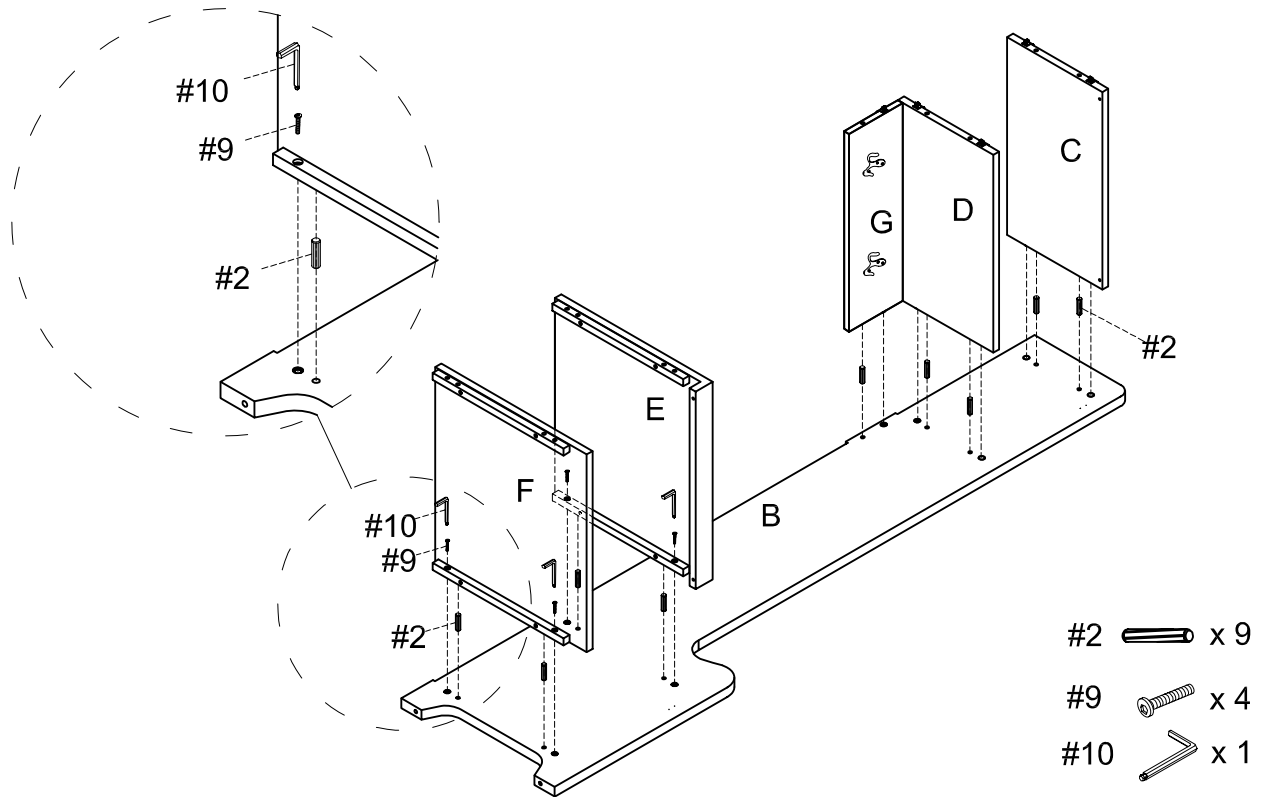
Step 3. Attach magnets (part #6) to left side panel (part A) or right side panel (part B) using magnet screws (part #7) and phillips head screwdriver.

Note: If door panels open on right, then attach magnets (part #6) to left side panel (part A). If door panels open on left, then attach magnets (part #6) to right side panel (part B). Please refer to Page 8, Step 8.

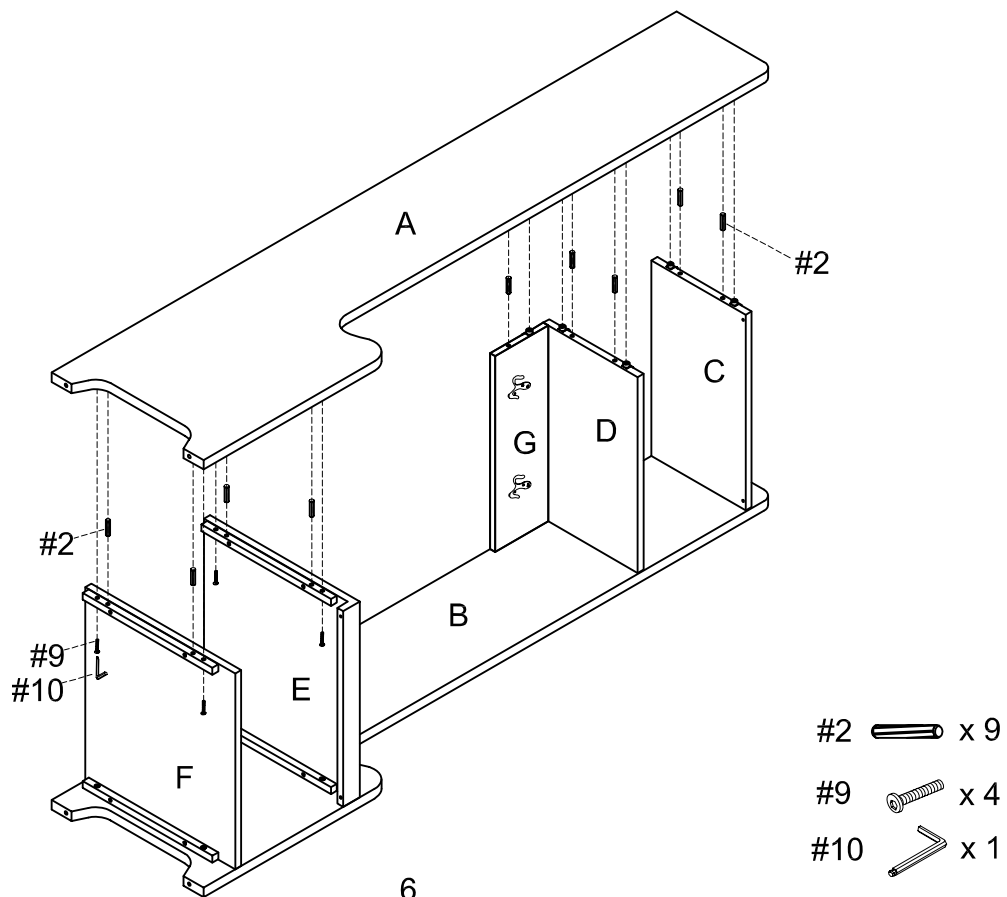


- #6  x 2
- #7  x 4

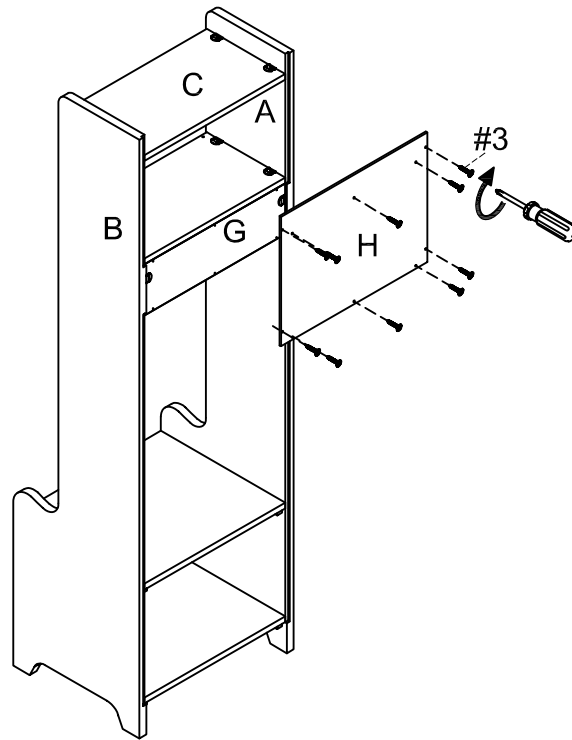
Step 4. Attach top shelf (part C), middle shelf (part D), middle back panel (part G), seat panel (part E) and bottom panel (part F) to right side panel (part B) using wood dowels (part #2), allen bolts (part #9), allen wrench (part #10) and lock the hardware.



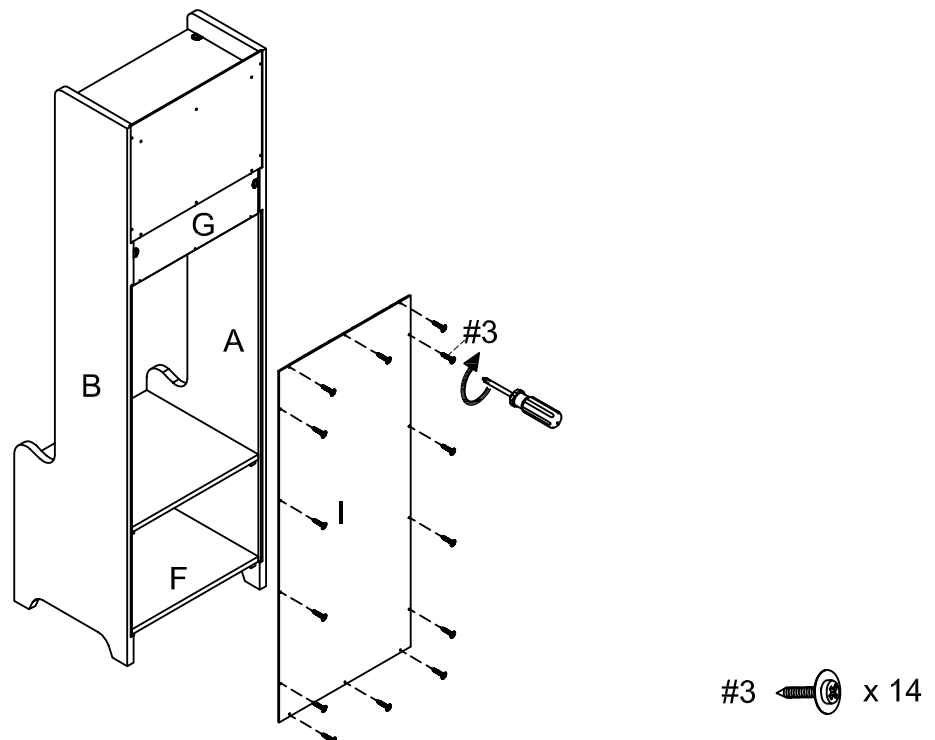
Step 5. Attach left side panel (part A) to assembled unit (parts C, D, E, F & G) using wood dowels (part #2), allen bolts (part #9), allen wrench (part #10) and lock the hardware.



Step 6. Carefully turn unit upright. Attach top back panel (part H) to assembled unit (parts A, B, C & G) using long screws (part #3) and phillips head screwdriver.

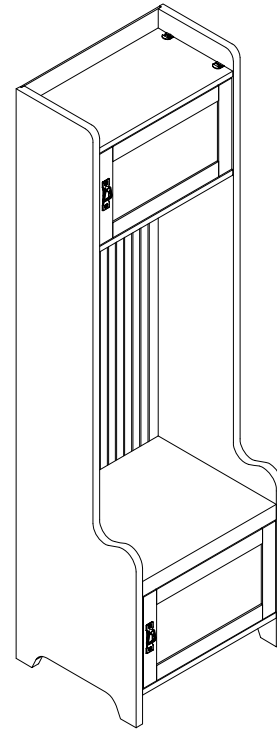
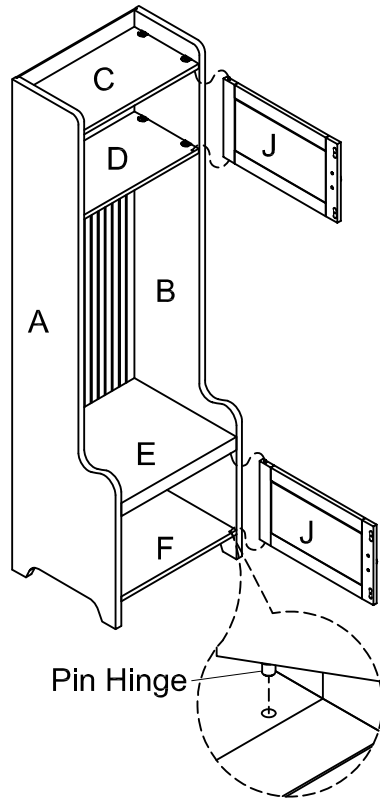


Step 7. Attach bottom back panel (part I) to assembled unit (parts A, B, F & G) using long screws (part #3) and phillips head screwdriver.

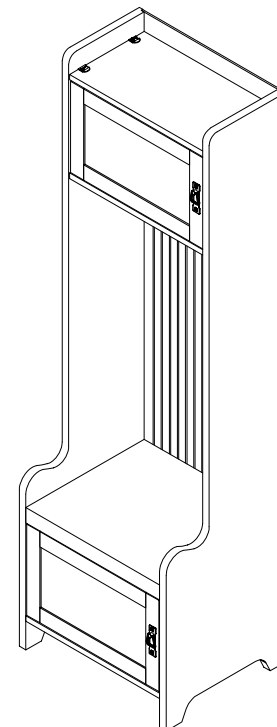
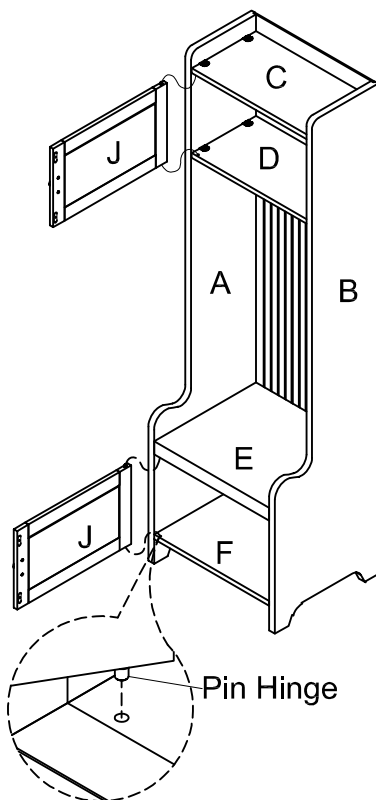



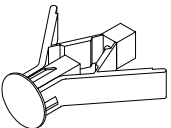

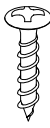

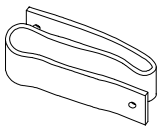
Step 8. There are two installation options for door panels (part J). Attach door panels (part J) by placing bottom pin hinge (pre-installed in door) in the pre-drilled hole of middle shelf (part D) and bottom panel (part F). Then depress the top spring-loaded pin hinge so it can be placed in the pre-drilled hole of top shelf (part C) and seat panel (part E).

NOTE: Be sure top and bottom pin hinges are fully extended to secure doors in place.



Or



#12	A	B	C	D	
					
Safety Strap Kit 1 PC	Wall Anchor 1 PC	Washer 2 PCS	Short Screw 1 PC	Long Screw 1 PC	Safety Wall Strap 1 PC

SAFETY WALL STRAP INSTALLATION

Note: It is highly recommended to install this safety strap kit to prevent tipping, damage and/or injury.

1. Insert short screw (C) through washer (B), safety wall strap (E) and attach to middle back panel (part G) using phillips head screwdriver.

2. Drill a 11/32"(6mm) hole where you want to secure the unit. The drilled hole will be at the same height as the hole in middle back panel (part G) where safety wall strap (E) is attached. Tap wall anchor (A) into the hole.

3. Insert long screw (D) through washer (B) and safety wall strap (E) into wall anchor (A) using a phillips head screwdriver.

