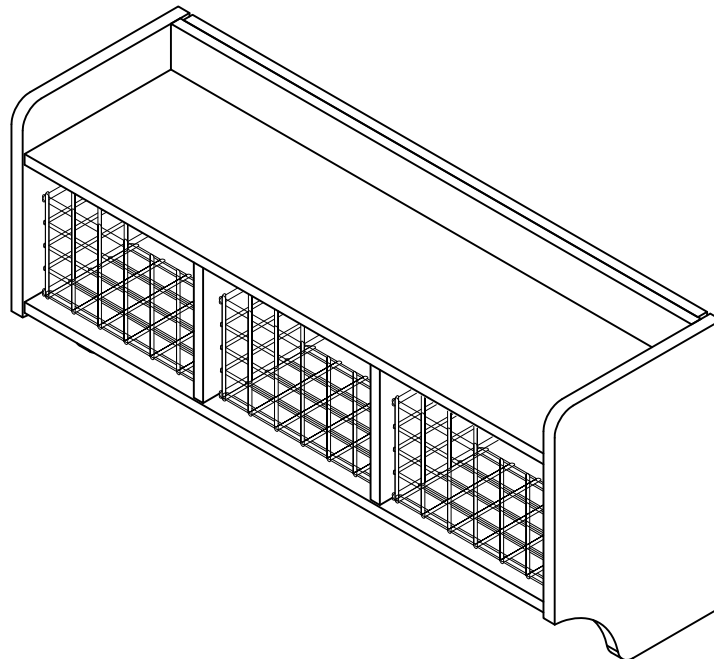
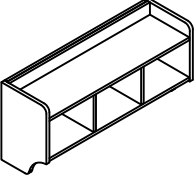
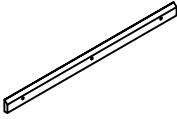




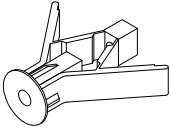

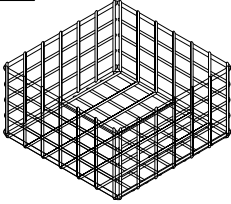
Entryway Shelf CF6018



PART LIST

<p>A</p> 	<p>B</p> 
<p>Entryway Shelf 1 PC</p>	<p>Support Plate 1 PC</p>

HARDWARE LIST

<p>#1</p> 	<p>#2</p>  <p>D8*1-1/2"</p>	<p>#3</p> 
<p>Wall Anchor 3 PCS</p>	<p>Screw 3 PCS</p>	<p>Metal Basket 3 PCS</p>

ADDITIONAL TOOLS (Not Provided)

Note: It is not recommended to use power tools during assembly.



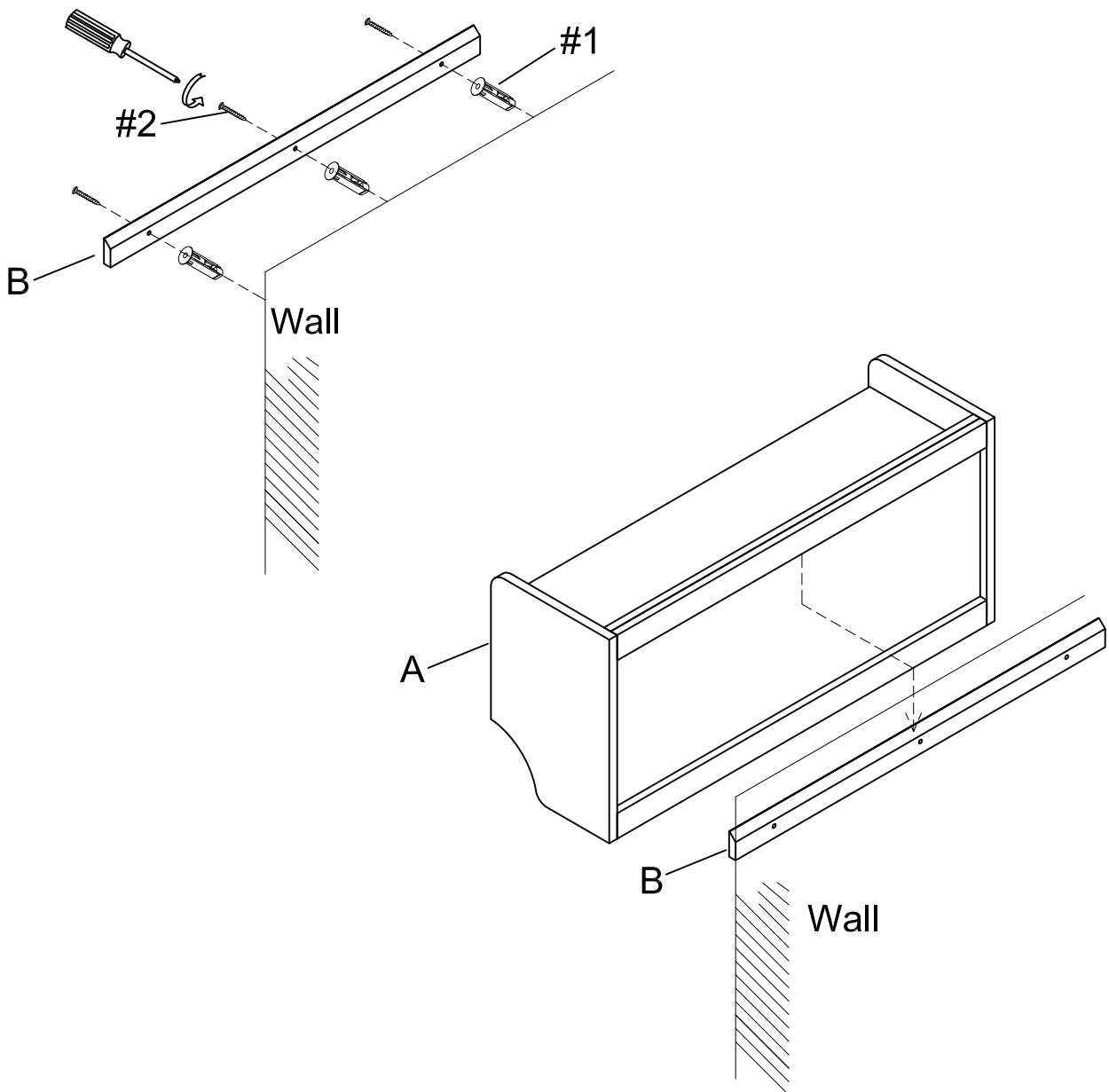
Phillips Head Screwdriver


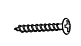
Step 1. Hold support plate (part B) in the desired location of entryway shelf. The support plate (part B) will be about 2" lower than the top of entryway shelf. Making sure support plate (part B) is leveled, use a pencil to mark wall anchors locations using the support plate (part B) screw holes as a guide. We recommend using a leveler to make sure support plate (part B) is oriented correctly.

Drill three 11/32" holes in these marked spots and tap wall anchors (part #1) into the drilled holes.

Secure support plate (part B) to wall anchors (part #1) using screws (part #2).

Mount entryway shelf (part A) onto support plate (part B). The back of entryway shelf (part A) has a recessed area that will hook on the support plate (part B).



- #1  x 3
- #2  x 3

Step 2. Insert metal baskets (part #3) into entryway shelf (part A).

