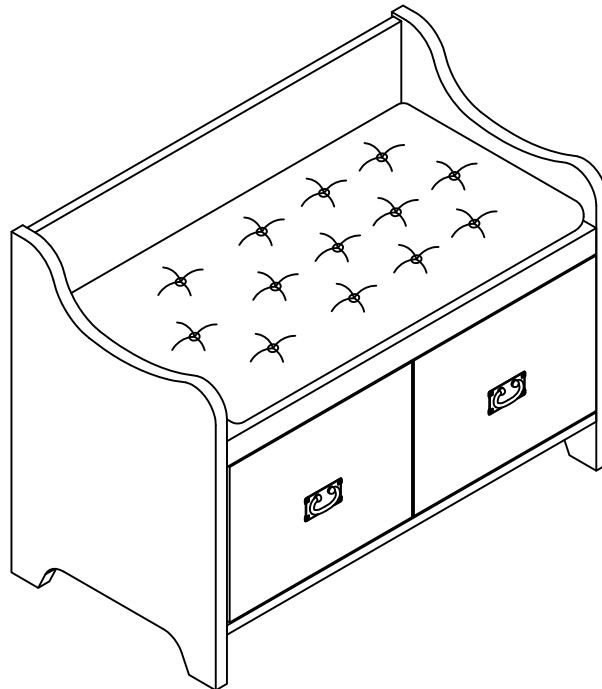
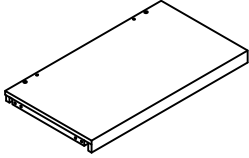
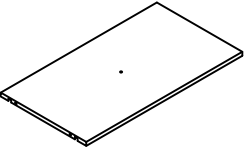
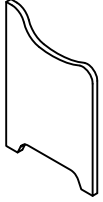

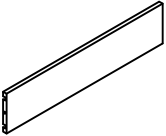
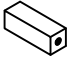
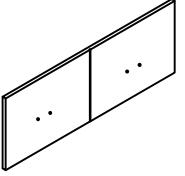
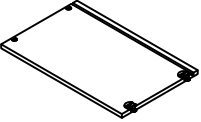
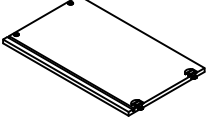
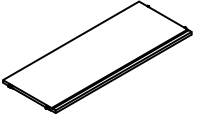
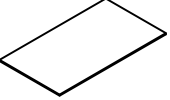

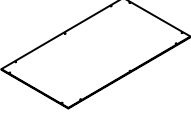
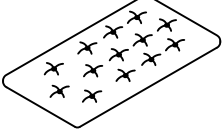









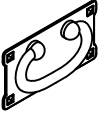
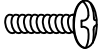
Entryway Bench CF6017



PART LIST

<p>A</p> 	<p>B</p> 	<p>C</p> 	<p>D</p> 	<p>E</p> 
<p>Top Panel 1 PC</p>	<p>Bottom Panel 1 PC</p>	<p>Left Side Panel 1 PC</p>	<p>Right Side Panel 1 PC</p>	<p>Top Back Panel 1 PC</p>
<p>F</p> 	<p>G</p> 	<p>H</p> 	<p>I</p> 	<p>J</p> 
<p>Support Leg 1 PC</p>	<p>Front Panel of Drawer 1 PC</p>	<p>Left Side Panel of Drawer 1 PC</p>	<p>Right Side Panel of Drawer 1 PC</p>	<p>Back Panel of Drawer 1 PC</p>
<p>K</p> 	<p>L</p> 	<p>M</p> 	<p>N</p> 	
<p>Bottom Panel of Drawer 1 PC</p>	<p>Bottom Rail of Drawer 1 PC</p>	<p>Bottom Back Panel 1 PC</p>	<p>Cushion 1 PC</p>	

HARDWARE LIST

<p>#1</p>  <p>ø8 x 30</p>	<p>#2</p>  <p>Ø6 x 30</p>	<p>#3</p>  <p>M6 x 35</p>	<p>#4</p>  <p>M4</p>	<p>#5</p>  <p>Ø7 x 2.5 x 12mm</p>
<p>Large Wood Dowel 13 PCS (Extra 1)</p>	<p>Small Wood Dowel 11 PCS (Extra 1)</p>	<p>Allen Bolt 10 PCS (Extra 1)</p>	<p>Allen Wrench 1 PC</p>	<p>Screw 11 PCS (Extra 1)</p>
<p>#6</p> 	<p>#7</p>  <p>M4 x 13</p>			
<p>Handle 2 PCS</p>	<p>Round Head Bolt 4 PCS</p>			

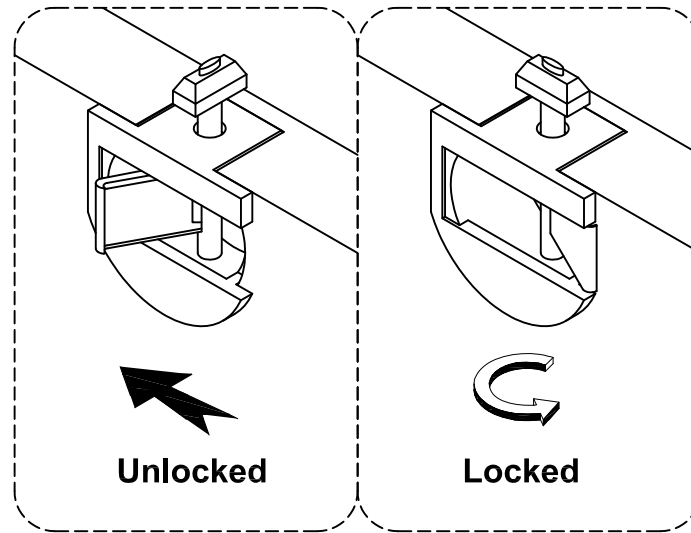
ADDITIONAL TOOLS (Not Provided)

Note: It is not recommended to use power tools during assembly.



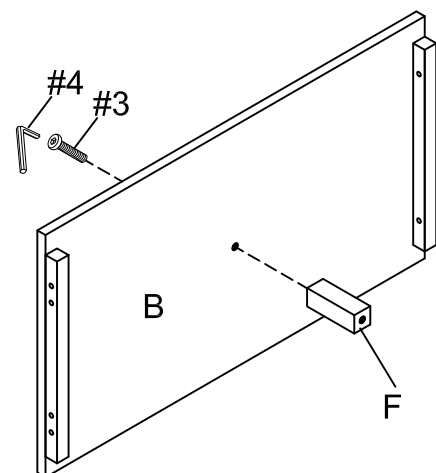
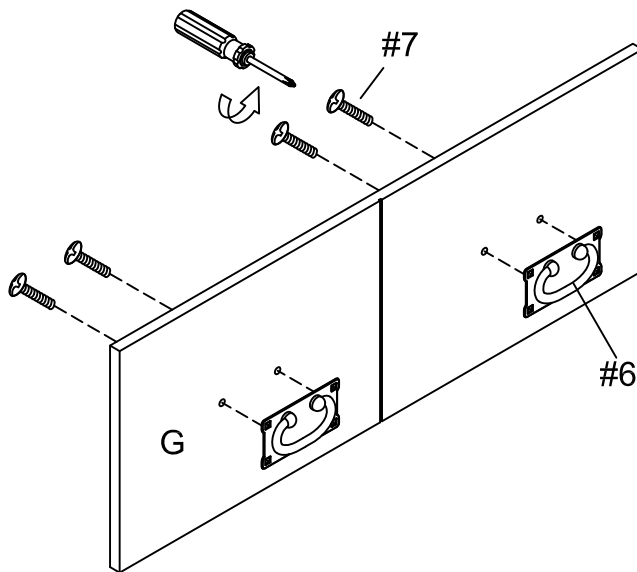
Phillips Head Screwdriver


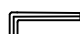


Please do not use tools to assemble this unit unless specifically indicated.



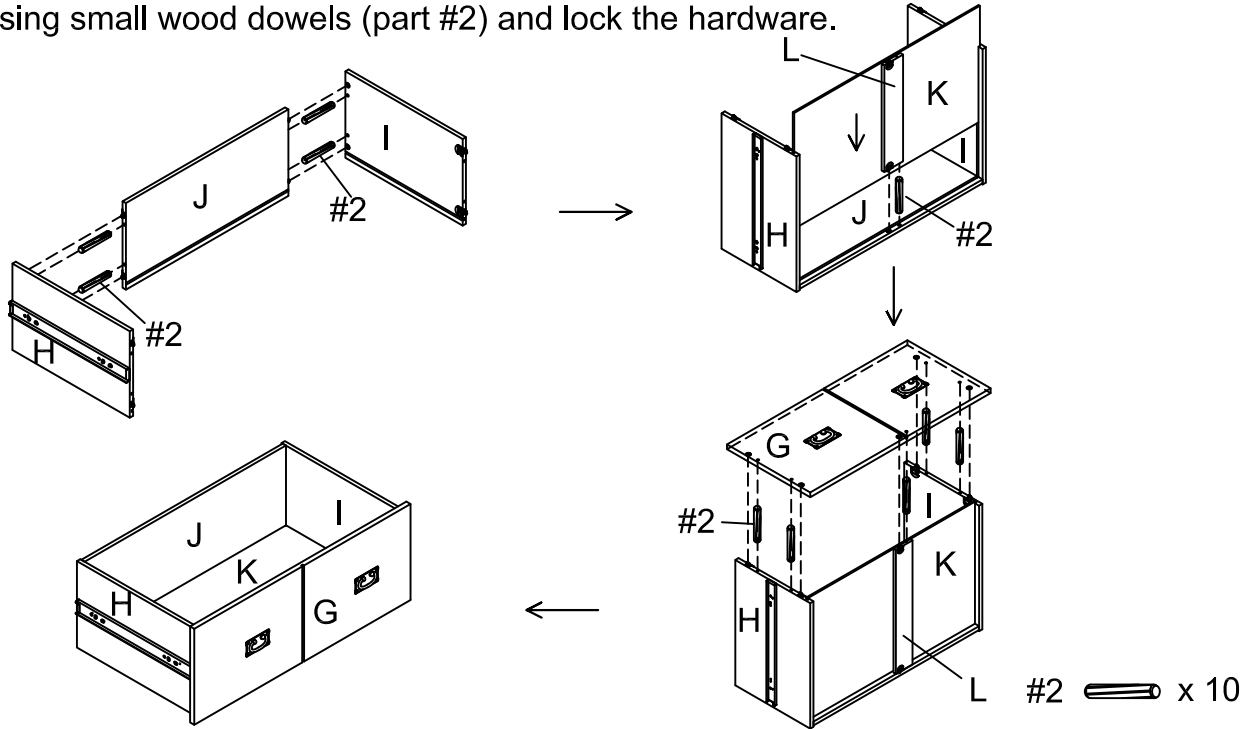
Reference the images above any time the instructions state "lock the hardware".
Note: Be sure to check all hardware is locked when completed.

Step 1. Attach handles (part #6) to front panel of drawer (part G) using round head bolts (part #7) and phillips head screwdriver. Attach support leg (part F) to bottom panel (part B) using allen bolt (part #3) and allen wrench (part #4).

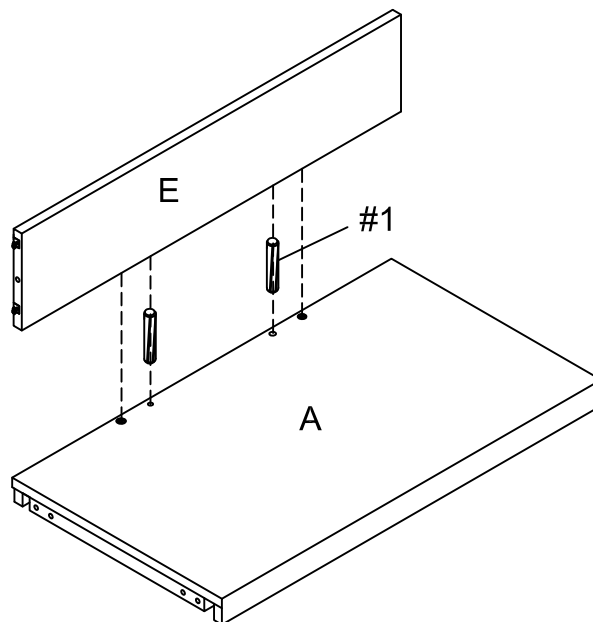



- #3  x 1
- #4  x 1
- #6  x 2
- #7  x 4

Step 2. Attach left side panel of drawer (part H) and right side panel of drawer (part I) to back panel of drawer (part J) using small wood dowels (part #2) and lock the hardware. Attach bottom rail of drawer (part L) to back panel of drawer (part J) using small wood dowel (part #2) and lock the hardware. Slide bottom panel of drawer (part K) into the grooves of left side panel of drawer (part H) and right side panel of drawer (part I). Attach front panel of drawer (part G) to left side panel of drawer (part H), right side panel of drawer (part I), bottom panel of drawer (part K) and bottom rail of drawer (part L) using small wood dowels (part #2) and lock the hardware.

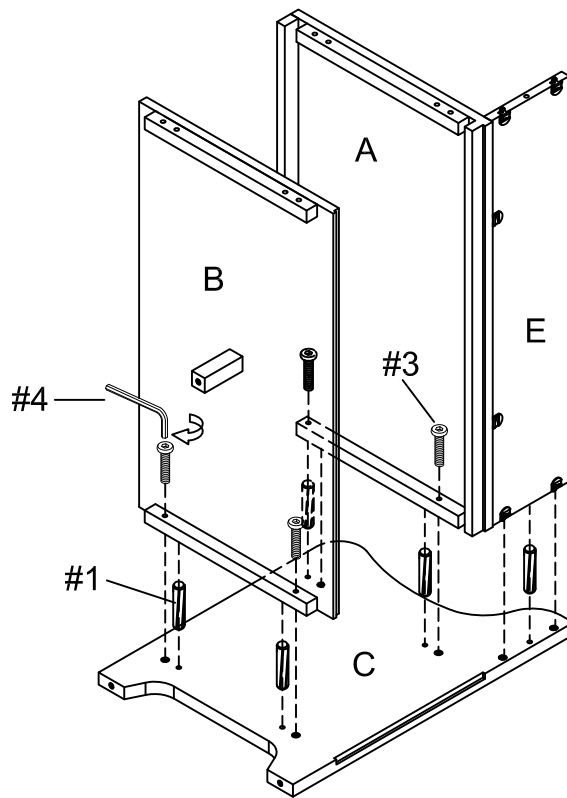




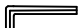
Step 3. Attach top back panel (part E) to top panel (part A) using large wood dowels (part #1) and lock the hardware.



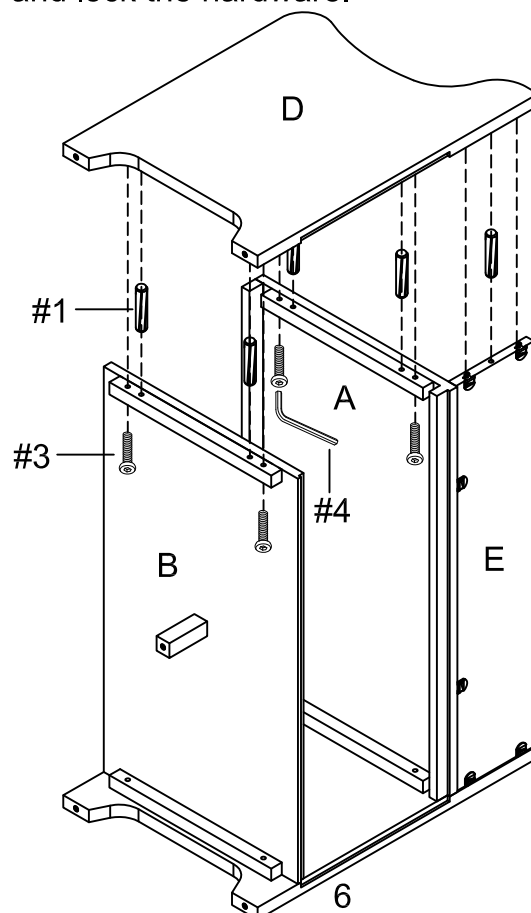
#1  x 2




Step 4. Attach assembled panels (parts A, B, & E) to left side panel (part C) using large wood dowels (part #1), allen bolts (part #3), allen wrench (part #4) and lock the hardware.



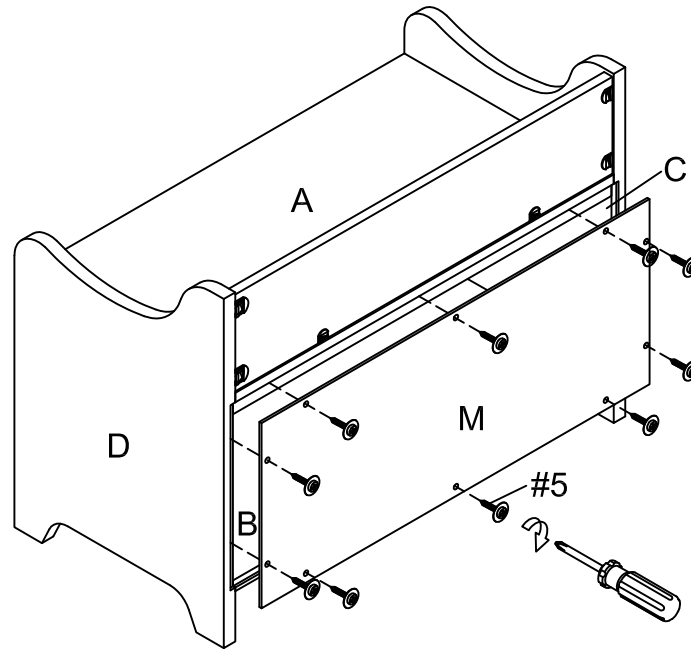
- #1  x 5
- #3  x 4
- #4  x 1

Step 5. Attach right side panel (part D) to top back panel (part E), top panel (part A) and bottom panel (part B) using large wood dowels (part #1), allen bolts (part #3), allen wrench (part #4) and lock the hardware.



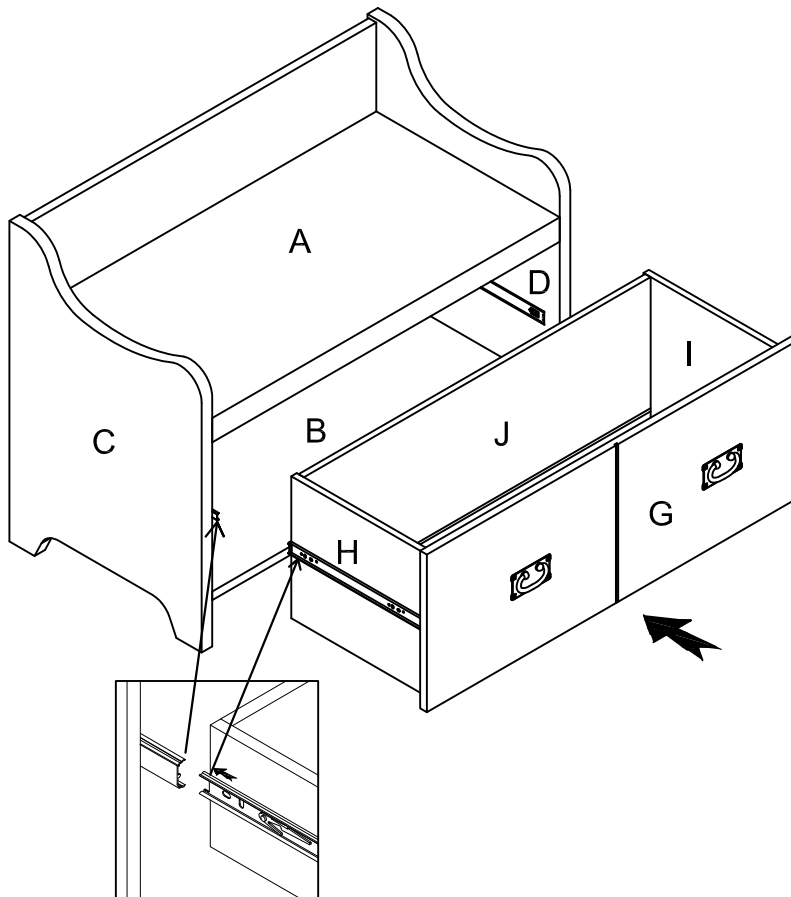
- #1  x 5
- #3  x 4
- #4  x 1

Step 6. Carefully turn unit upright. Attach bottom back panel (part M) to left side panel (part C), right side panel (part D), top panel (part A) and bottom panel (part B) using screws (part #5) and phillips head screwdriver.



#5  x 10

Step 7. Insert drawer into cabinet box.



Step 8. Put cushion (part N) into place.

