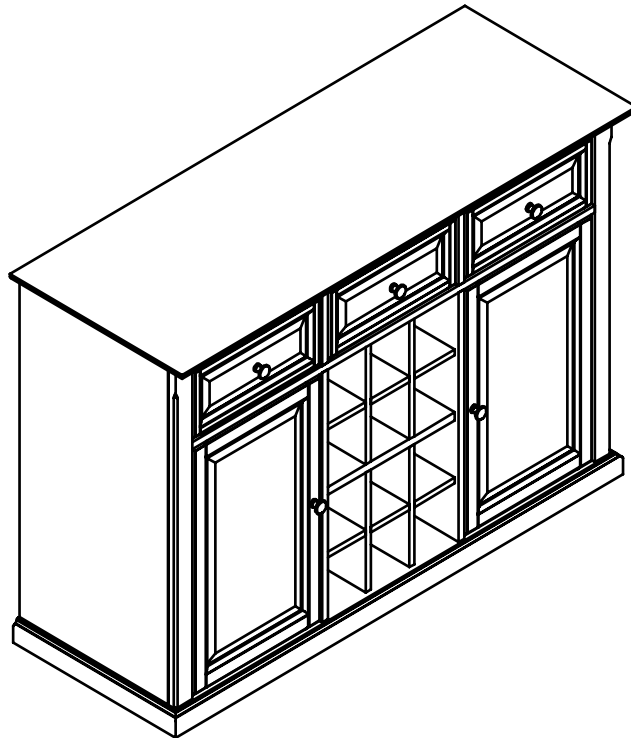


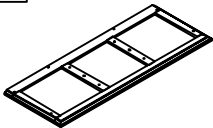
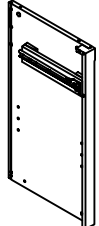
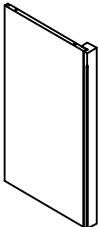
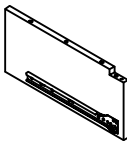
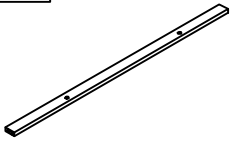
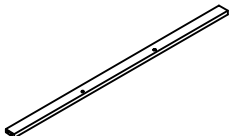
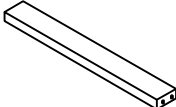
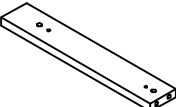
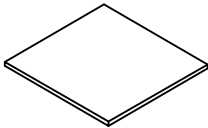
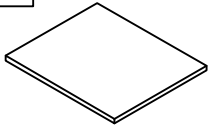
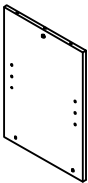

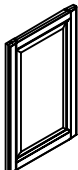
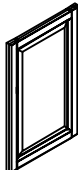
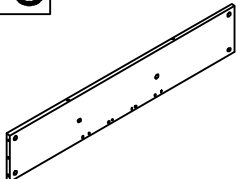

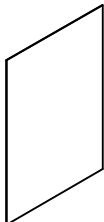
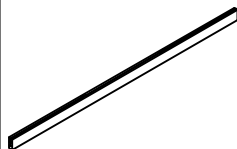
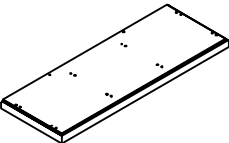
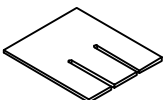
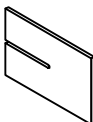
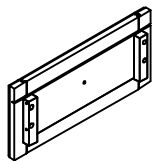
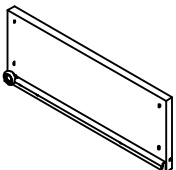
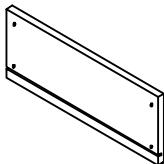
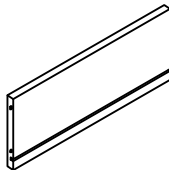
C R O S L E Y  
F U R N I T U R E

**Wine Buffet Server Cabinet**

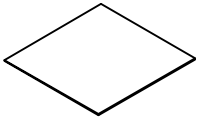
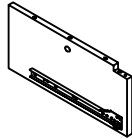
**CF4201**



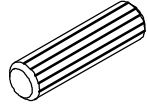
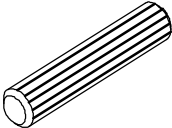
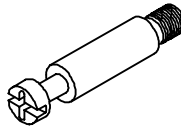
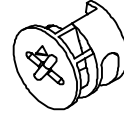


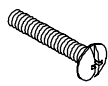

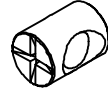

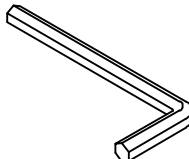
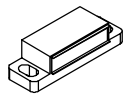
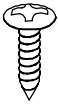

# PART LIST

<b>A</b> 	<b>B</b> 	<b>C</b> 	<b>D</b> 	<b>E</b> 
1 PC	1 PC	1 PC	1 PC	1 PC
<b>F</b> 	<b>G</b> 	<b>H</b> 	<b>I</b> 	<b>J</b> 
1 PC	2 PCS	2 PCS	2 PCS	1 PC
<b>K</b> 	<b>L</b> 	<b>M</b> 	<b>N</b> 	<b>O</b> 
1 PC	1 PC	1 PC	1 PC	1 PC
<b>P</b> 	<b>Q</b> 	<b>R</b> 	<b>S</b> 	<b>T</b> 
2 PCS	3 PCS	1 PC	1 PC	2 PCS
<b>U</b> 	<b>V</b> 	<b>W</b> 	<b>X</b> 	<b>Y</b> 
4 PCS	3 PCS	3 PCS	3 PCS	3 PCS

# PART LIST

<b>Z</b> 	<b>ZA</b> 
<b>3 PCS</b>	<b>1 PC</b>

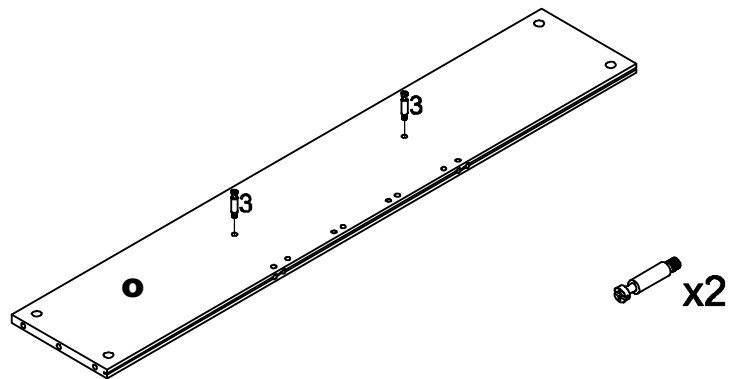
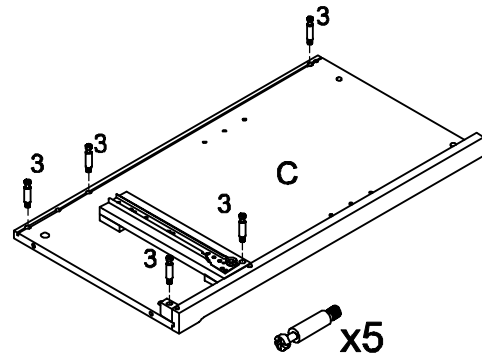
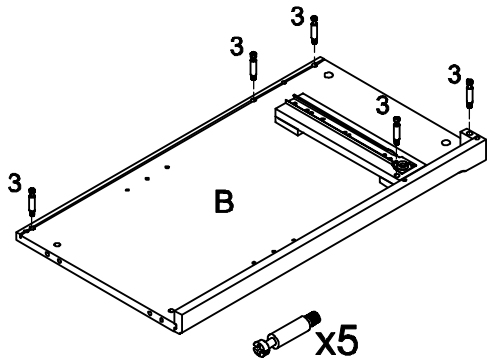
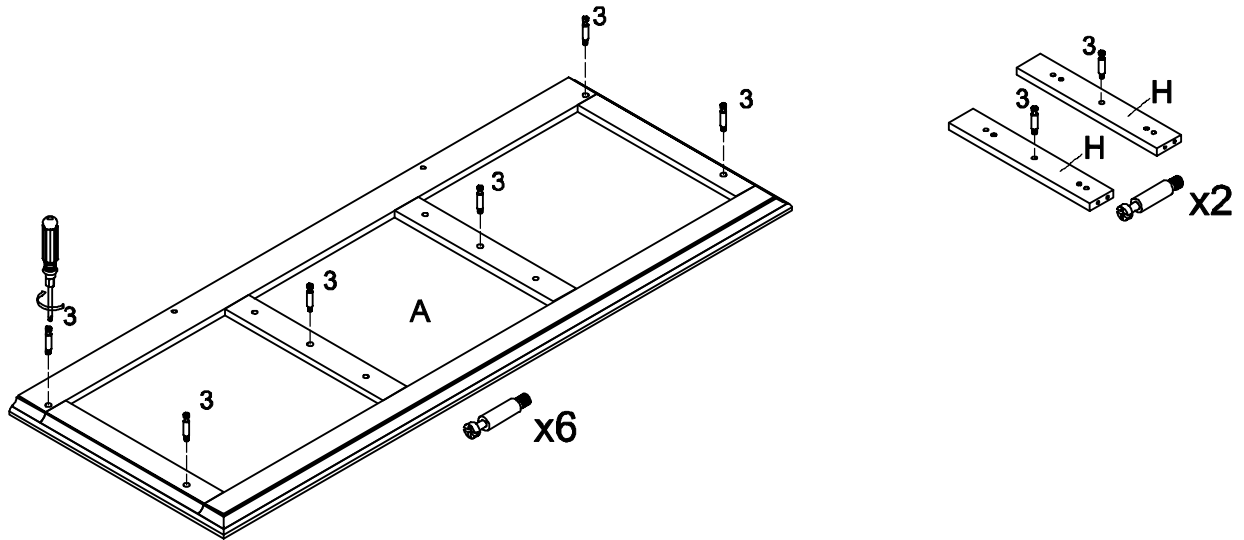
# HARDWARE LIST

<b>1</b> 	<b>2</b> 	<b>3</b> 	<b>4</b> 	<b>5</b> 
<b>WOOD DOWEL</b> <b>50 PCS</b>	<b>Long Wood Dowel</b> <b>8*50mm</b> <b>4 PCS</b>	<b>CAM BOLT</b> <b>20 PCS</b>	<b>CAM LOCK</b> <b>20 PCS</b>	<b>SCREW</b> <b>24 PCS</b>
<b>6</b> 	<b>7</b> 	<b>8</b> 	<b>9</b> 	<b>10</b> 
<b>KNOB</b> <b>5 PCS</b>	<b>ROUND HEAD BOLT</b> <b>5 PCS</b>	<b>HEX SOCKET HEAD BOLT</b> <b>8 PCS</b>	<b>BARREL NUT</b> <b>8 PCS</b>	<b>SHELF HOLDER</b> <b>12 PCS</b>
<b>11</b> 	<b>12</b> 	<b>13</b> 	<b>14</b> 	
<b>ALLEN KEY</b> <b>1 PC</b>	<b>DOOR CATCH</b> <b>2 PCS</b>	<b>ROUND HEAD SCREW</b> <b>4 PCS</b>	<b>1-1/4"Ø4*D8</b> <b>Long Screw</b> <b>8 PCS</b>	

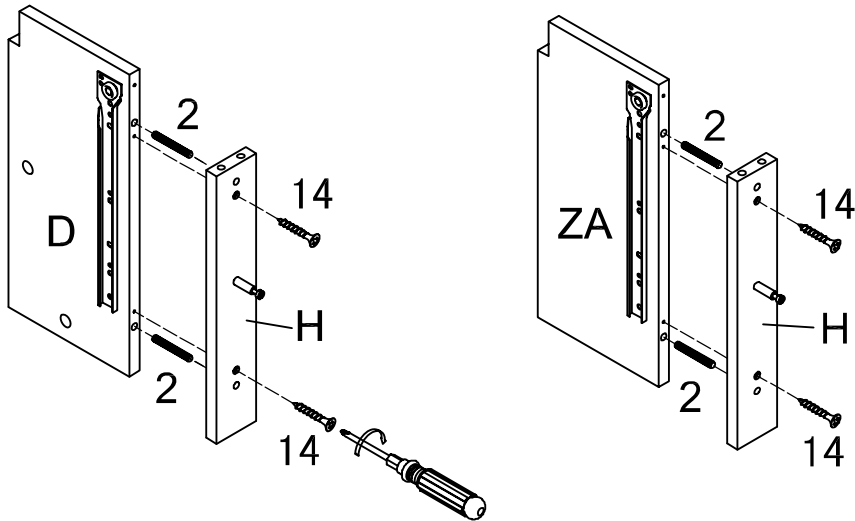
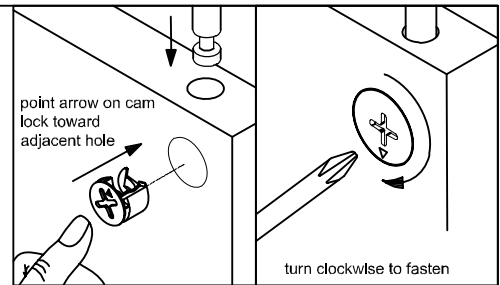
Tools needed: Allen key (part#11) (included)  
 Phillips Head Screw Driver (Not included)

**NOTE: Wood Dowels are intended for alignment only when assembling your furniture. Additional clearance between the wood dowels & pre-drilled holes is intended for ease of assembly.**

Step 1. Insert Cam Bolts(Part#3)into pre-drilled holes of Parts A, B, C, H(x2) & Part O with a Phillips Head screw driver as shown. Do not overtighten.



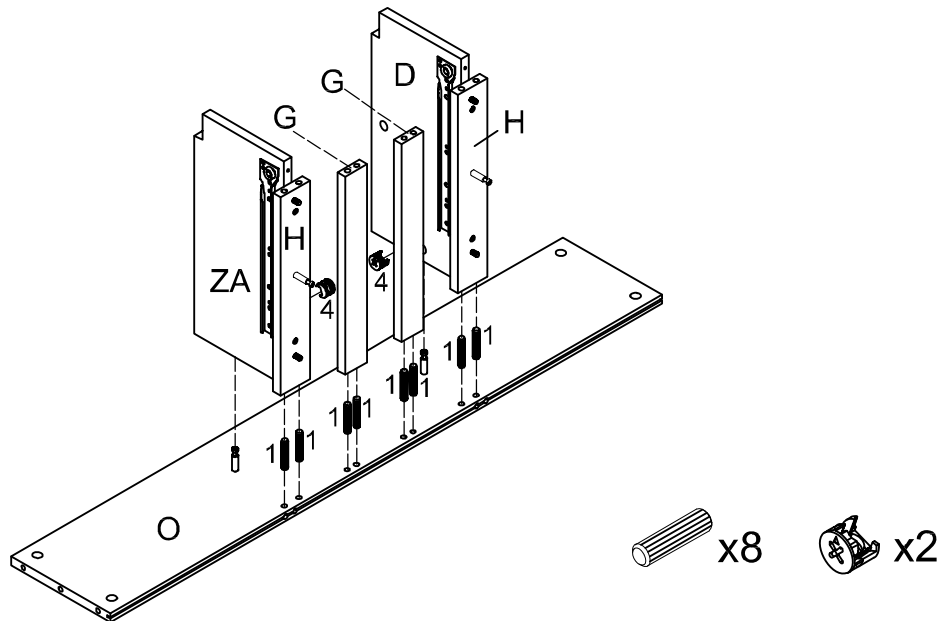
Step 2. Insert Long Wood Dowels (Part #2) into Parts D & ZA as shown. Attach Parts H to Parts D & ZA with Screws (Part #14) as shown.  
 Note: Long Wood Dowel (Part #2) will pass completely through Part H.



Long Screws  
 x4 (1-1/4" \* Ø4 \* D8)

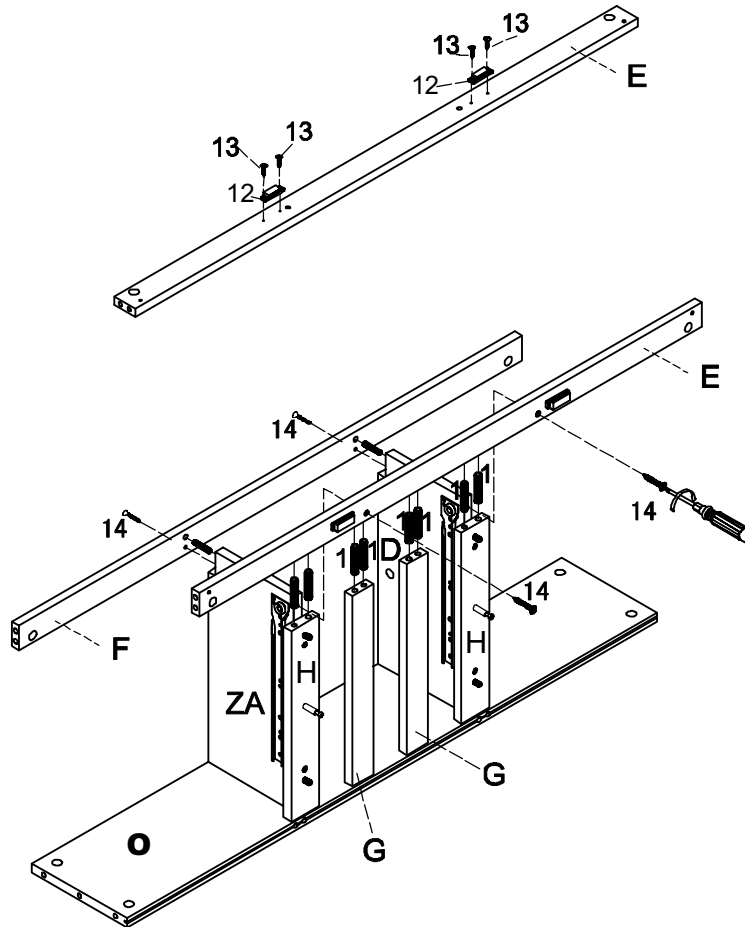
Part #2 (Long Wood Dowel)  
 x4 (8 \* 50mm)





Step 3. Lay Part O flat on floor as shown. Insert Wood Dowels (Part#1) into Part O. Attach Part D & ZA to Part O with Cam Locks (part #4) as shown. Insert Parts G.



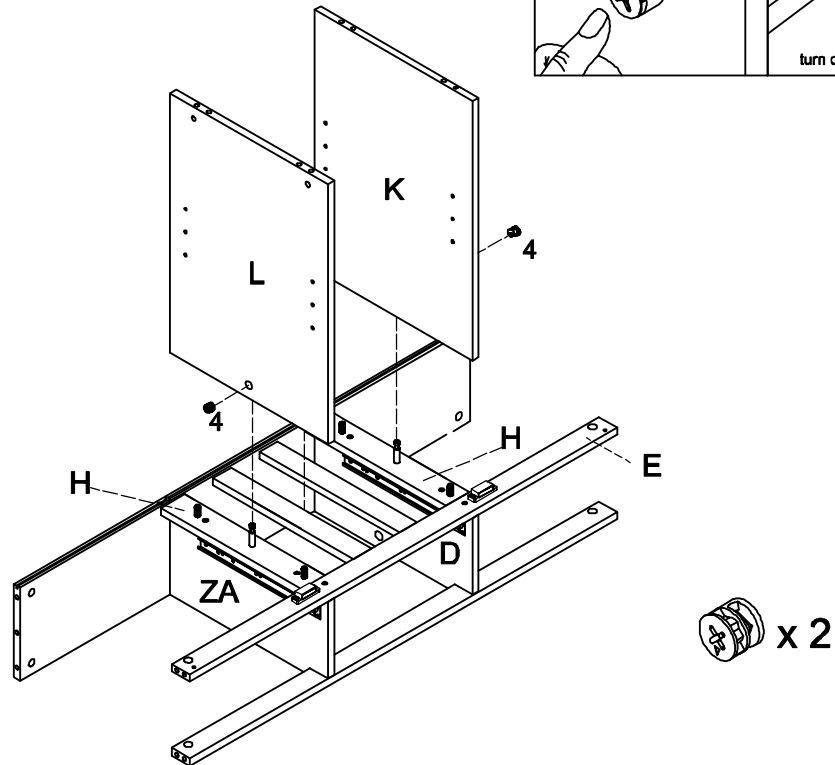
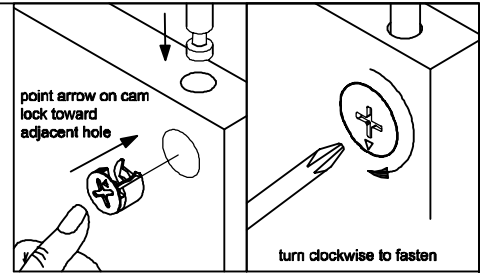
**Step 4.** Attach Door Catches (Part #12) to Rail E with Round Head Screws (Part #13) as shown. Insert Wood Dowels (Part #1) into Parts H, G, D, & ZA as shown. Set Rail E into place on Rails G & H with Wood Dowels (Part #1) as shown. Secure Rail E to Parts ZA & D using Screws (Part #14) as shown. Attach Rail F to Parts ZA & D using Wood Dowels (Part #1) & Screws (Part #14) as shown.

NOTE: BE SURE THAT SCREWS ARE ALIGNED PROPERLY WITH PRE-DRILLED HOLES IN PARTS D & ZA BEFORE TIGHTENING.

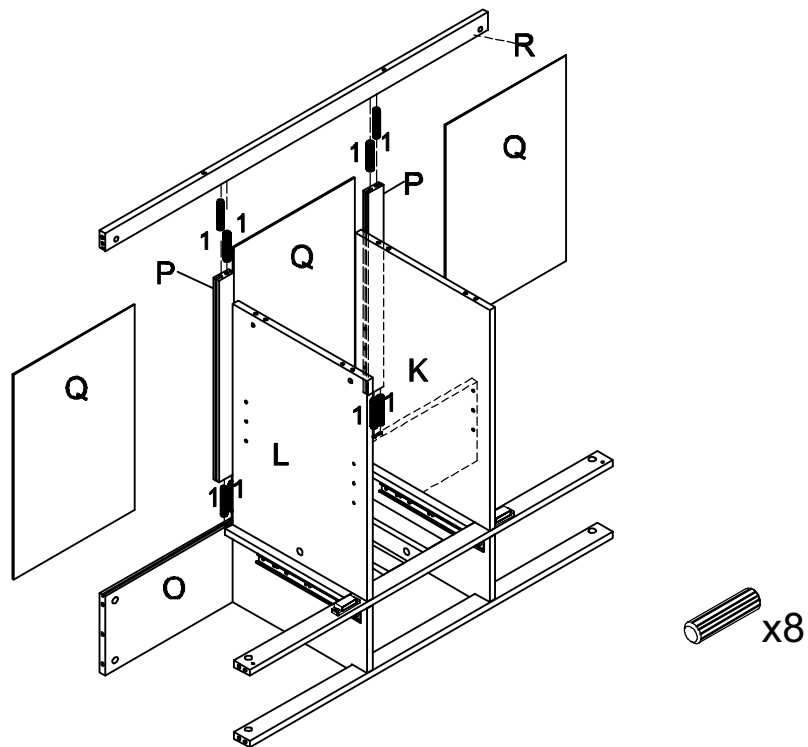


-  x4
-  x2
-  x10
-  x 4 (1- 1/4")

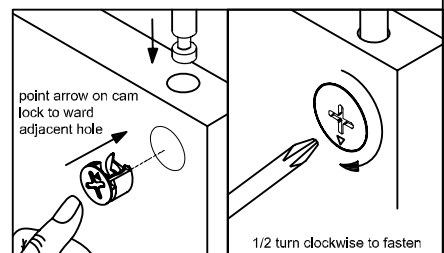
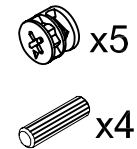
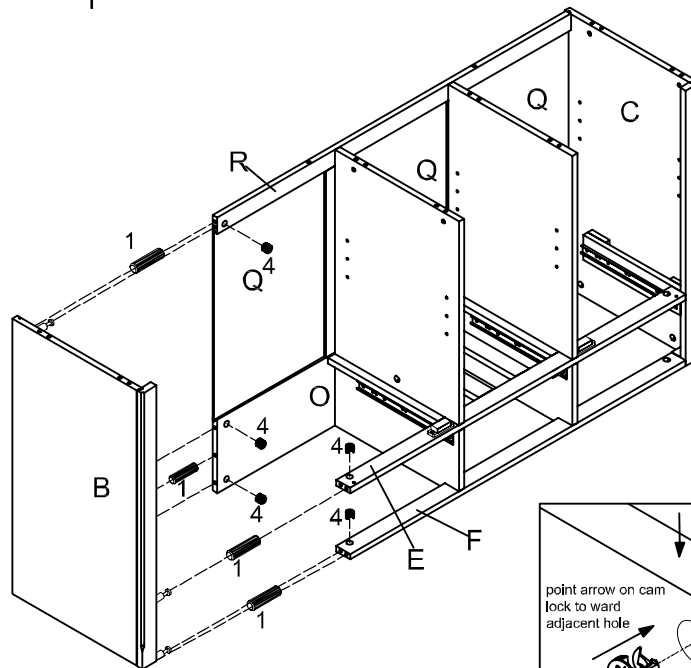
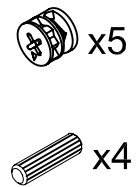
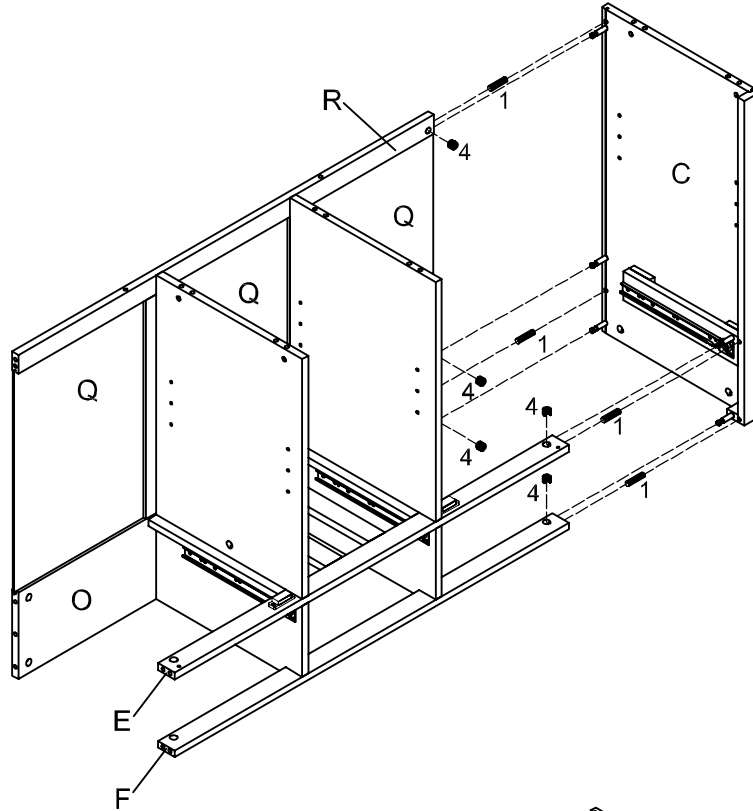
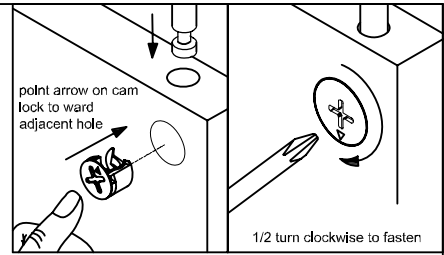
Step 5. Attach Panels L&K to Rails H using Cam Locks (Part #4) as shown.



Step 6. Set Rails P into place on Part O using Wood Dowels (Part #1) as shown. Insert Panels Q into the grooves of Parts O & P. Set Rail R onto Rails P & Panels Q with Wood Dowels (Part #1) as shown.

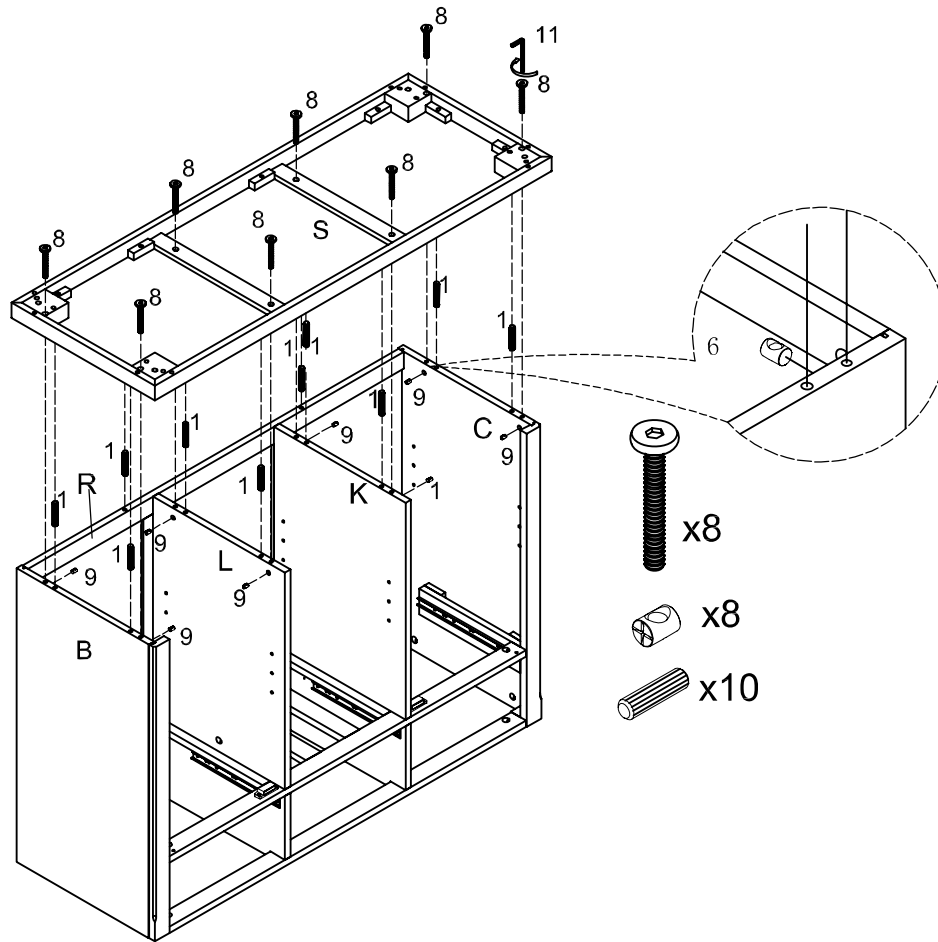
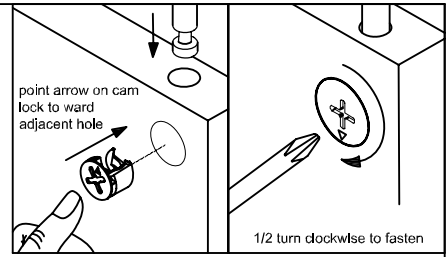


Step 7. Attach Side Panel C to Parts E, F, O & R with Wood Dowels (Part #1) & Cam Locks as shown. Repeat this step to attach Side Panel B.

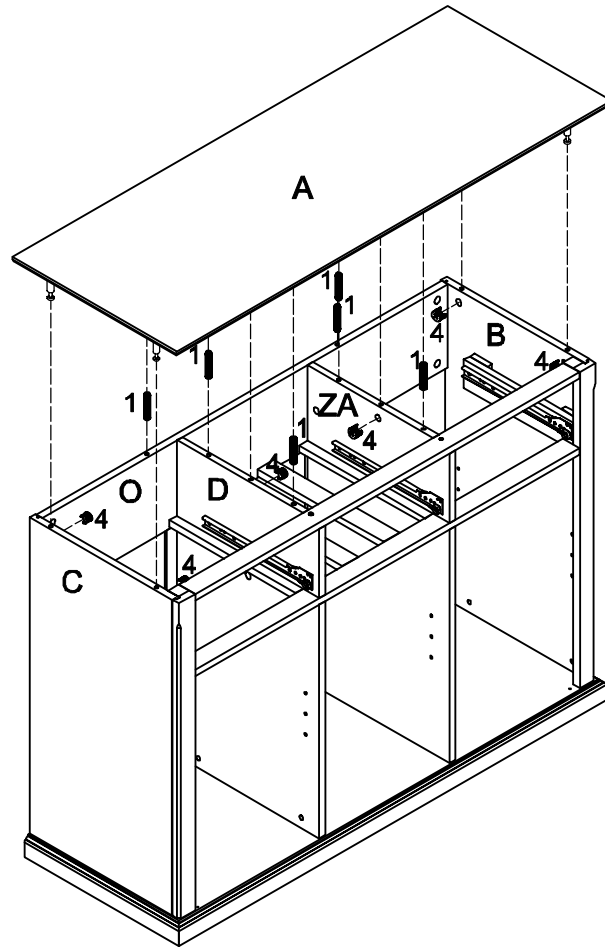
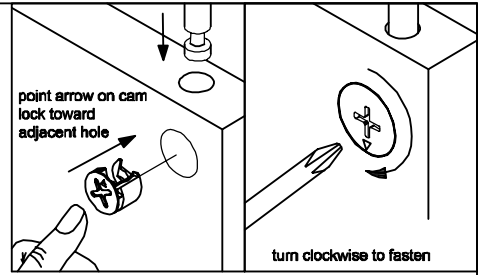




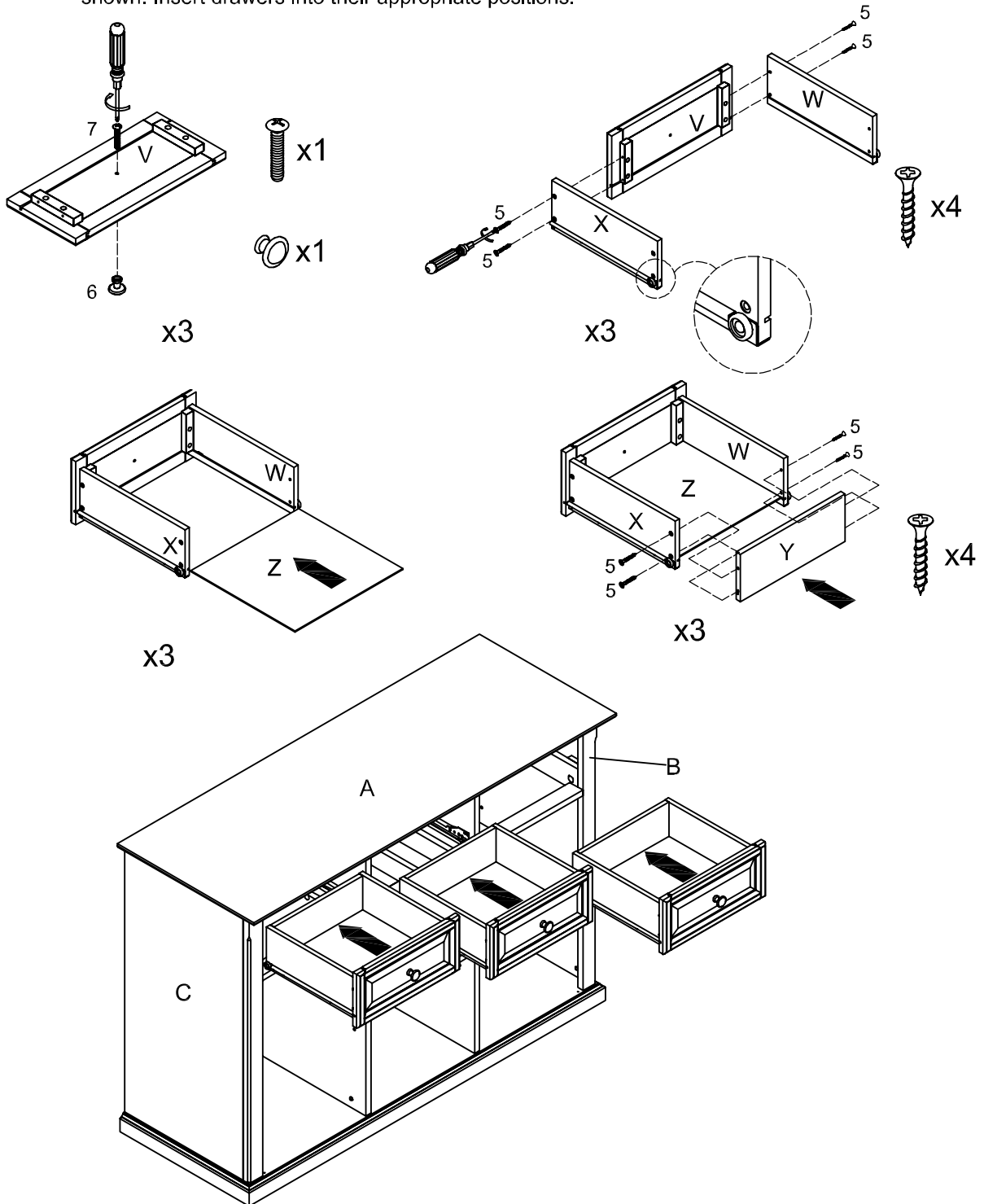
Step 8. Attach Base S to cabinet using Wood Dowels (Part #1), Hex Socket Head Bolts (Part #8), & Barrel Nuts (Part #9) as shown. **Now attach legs using Hex Socket Head Bolts & Wood Dowels (as shown in instruction manual Included in carton with legs).** Carefully turn cabinet over so that legs are on the floor.



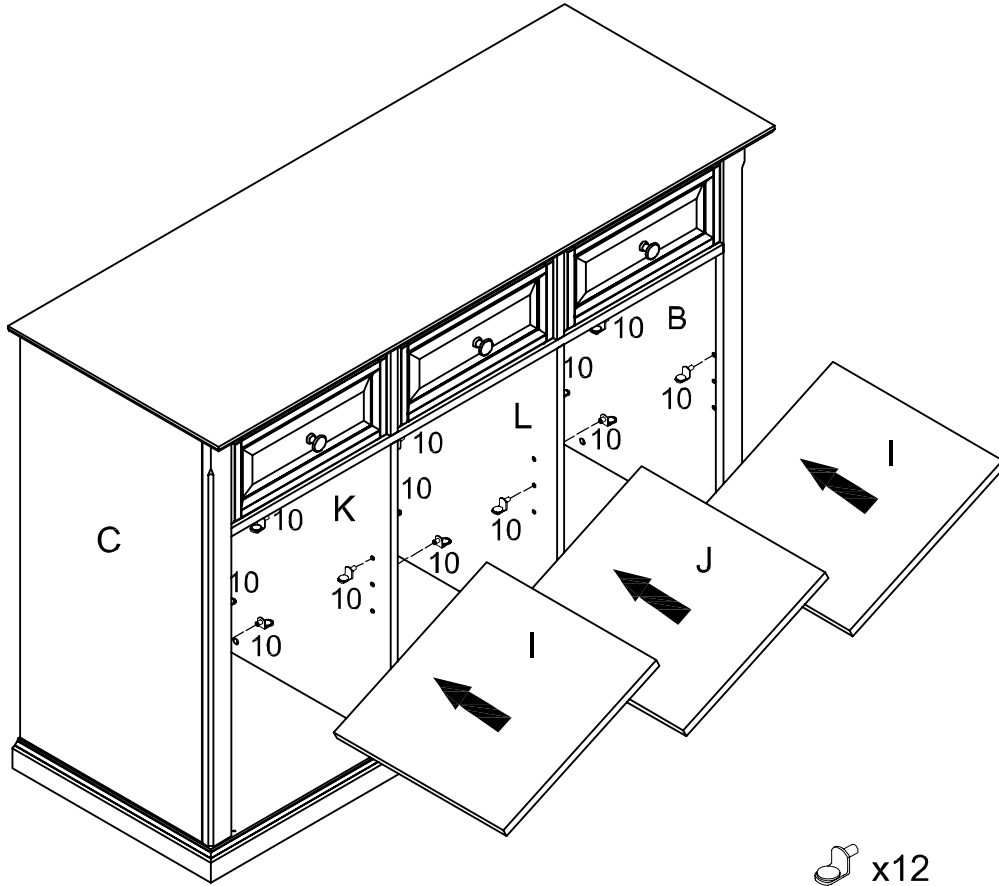
Step 9. Attach Top A to cabinet using Wood Dowels & Cam Locks as shown.




Step 10. Attach Drawer Front V to Drawer Sides W & X with Screws (Part #5) using Phillips Head screwdriver as shown. **NOTE: BE SURE THAT WHEELS ON DRAWER GLIDES ARE FACING OUTWARD, AND ARE AT THE OPPOSITE SIDE OF THE DRAWER FRONT.** Slide Bottom Panel Z into grooves of Parts W & X as shown. Attach Back Panel Y to Side Panels W & X with Screws (Part #5) using Phillips Head screwdriver as shown. Repeat this step for the other two drawers. Attach Hardware Knobs (Part #6) to Drawer Fronts V with Round Head Bolt (Part #7) as shown. Insert drawers into their appropriate positions.

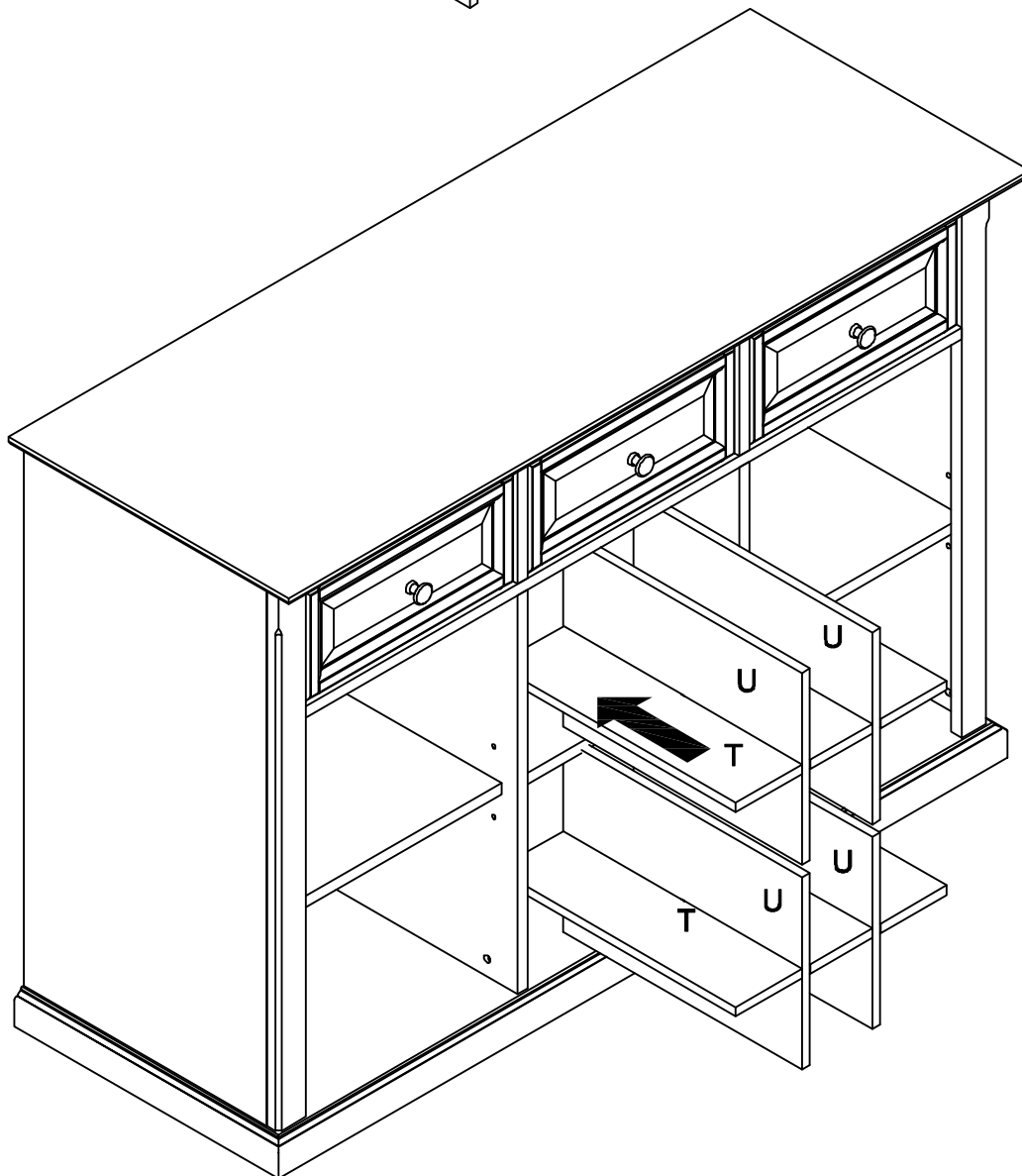
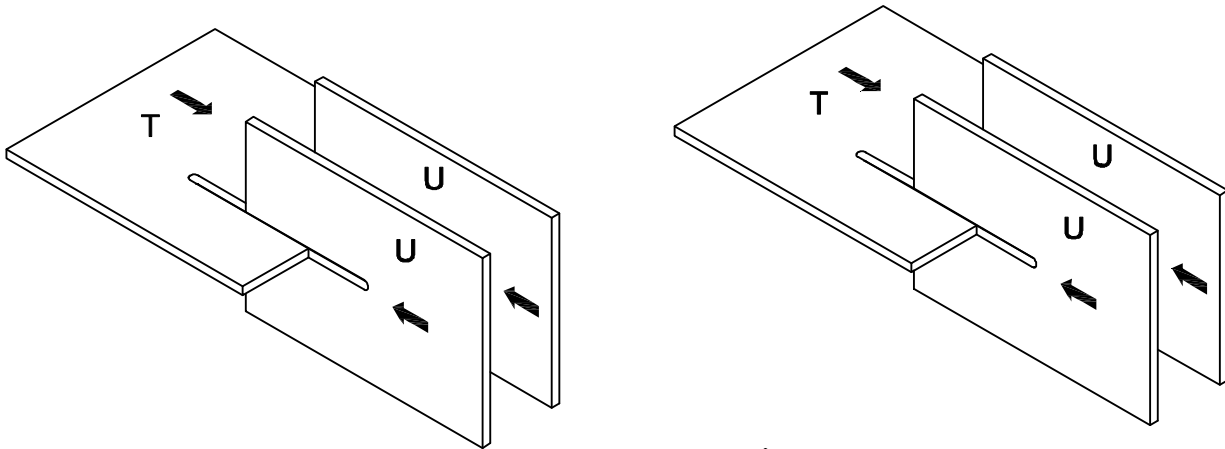


Step 11. Insert Shelf Holders (Part #10) into desired positions. Insert Shelves I & Shelf J into desired position. **NOTE: IF YOU INTEND TO USE THE WINE STORAGE GRIDS, SHELF J MUST BE PLACED IN THE CENTER HOLE POSITIONS TO FIT CORRECTLY.**



 x12

**Step 12.** Slide Parts U & Part T together as shown. Repeat this step for other Wine storage grid. Making sure that Shelf J is placed in the center hole position, carefully insert the wine storage grids into place in the center portion of the cabinet.



Step 13. Attach Hardware Knobs (Part #6) to the doors with Round Head Bolts (Part #7) using Phillips Head screwdriver as shown. Attach doors to cabinet by placing bottom Pin Hinge into pre-drilled holes in Base S & depressing top spring loaded Pin Hinge to fit door into place in Rail E.

**Note: Be sure Pin Hinges (top & bottom) have fully extended into the pre-drilled holes in Base S and Rail E to secure doors into place.**

