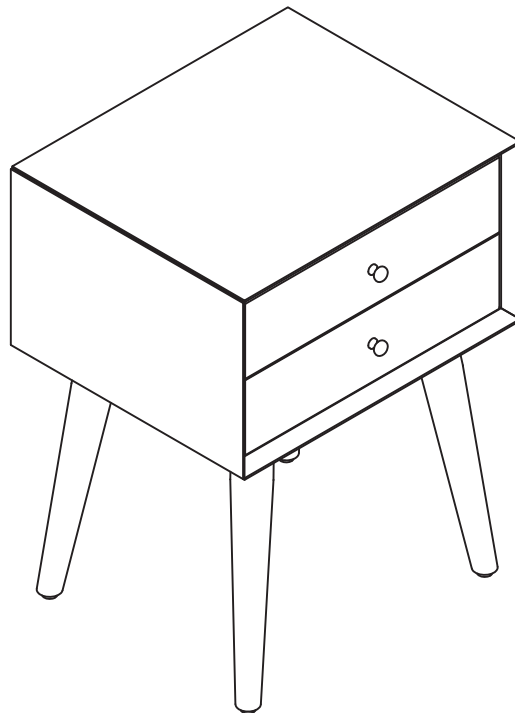
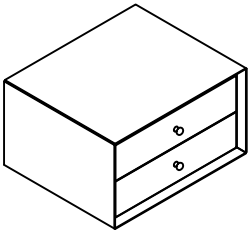
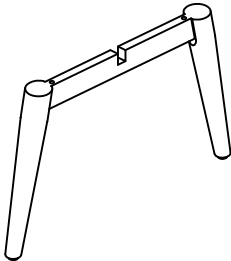
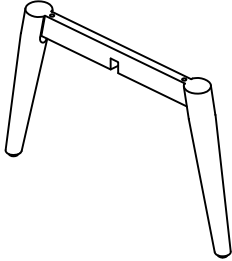





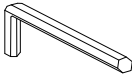
NIGHT STAND
CF9401



PART LIST

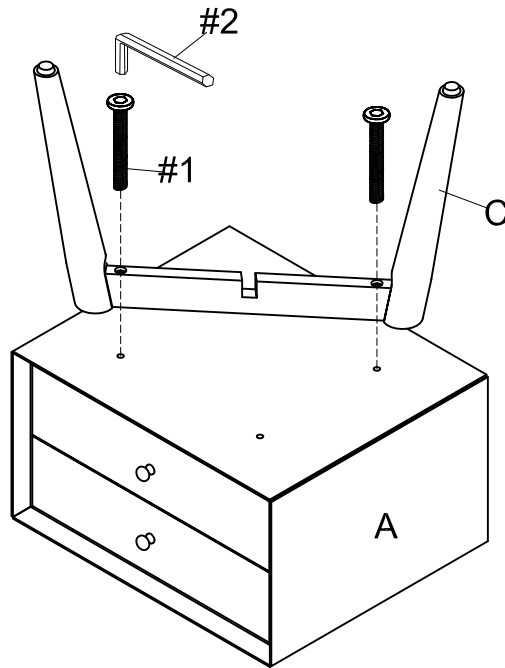
<p>A</p> 	<p>B</p> 	<p>C</p> 
<p>Top 1 PC</p>	<p>Left Leg 1 PC</p>	<p>Right Leg 1 PC</p>

HARDWARE LIST


<p>#1</p>  <p>Ø1/4" *63mm</p>	<p>#2</p> 
<p>Bolt 5 PCS (Extra 1)</p>	<p>Allen Wrench 1 PC</p>

Step 1. Carefully turn top (part A) upside down on a soft flat surface, such as carpet, as shown below. Attach right leg (part C) to top (part A) using bolts (part #1) and allen wrench (part #2).

NOTE: Please do not fully tighten bolts until unit is fully assembled.

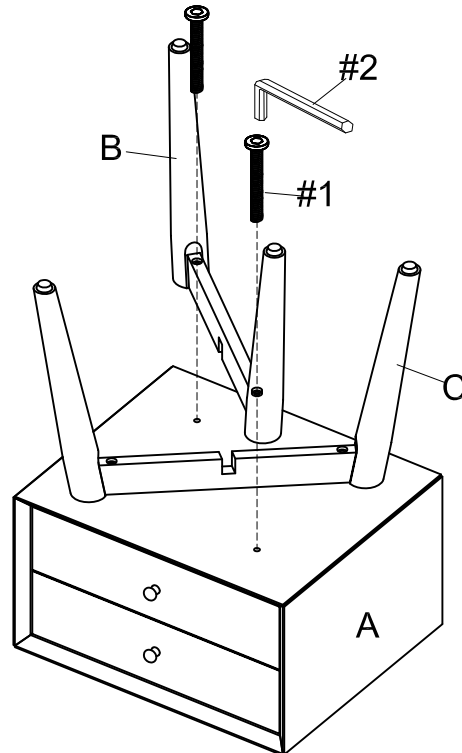


#1  X 2

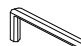
#2  X 1

Step 2. Attach left leg (part B) to right leg (part C) and top (part A) using bolts (part #1) and allen wrench (part #2).

NOTE: Please fully tighten all bolts at this time.



#1  X 2

#2  X 1

Step 3. Carefully turn unit upright.

