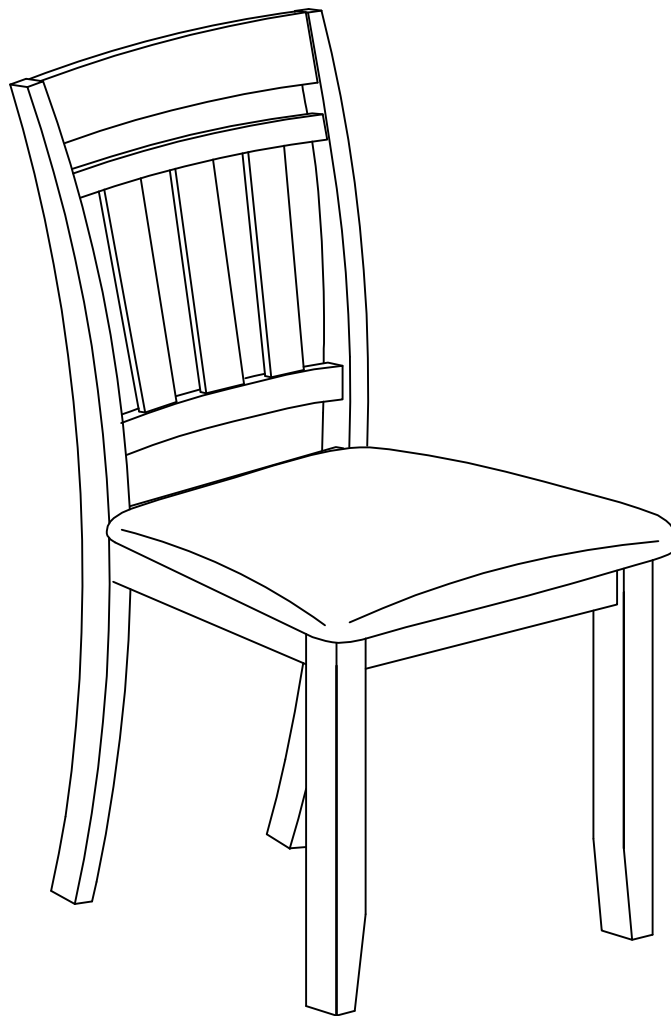
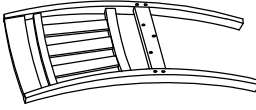
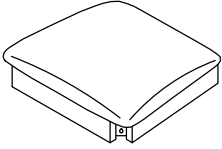
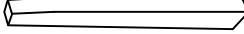
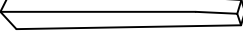




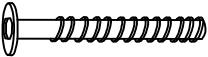
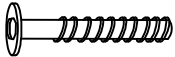
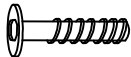

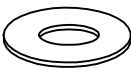
**Dining Chair**  
**CF8020**




# PART LIST

<p><b>A</b></p> 	<p><b>B</b></p> 	<p><b>C</b></p> 	<p><b>D</b></p> 
<p>Back 2 PCS</p>	<p>Seat 2 PCS</p>	<p>Right Leg 2 PCS</p>	<p>Left Leg 2 PCS</p>

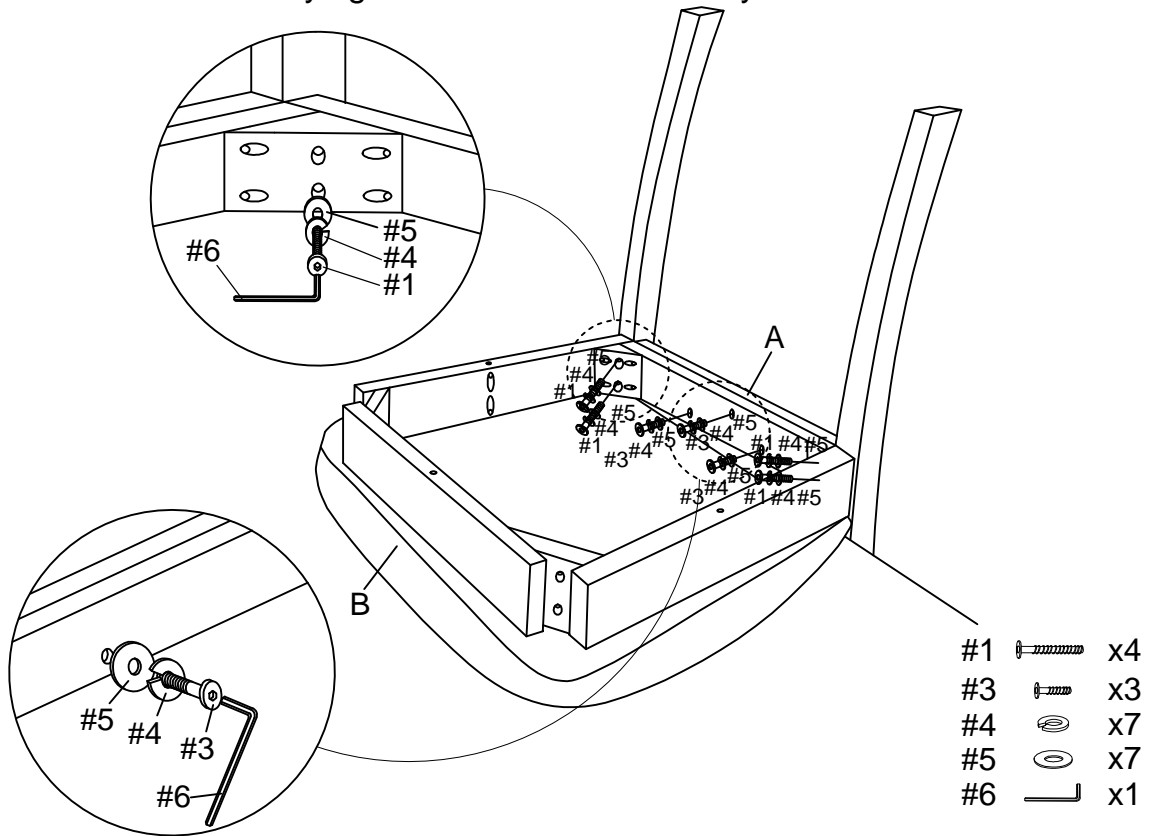
# HARDWARE LIST

<p><b>#1</b></p>  <p>M6 x 80mm</p>	<p><b>#2</b></p>  <p>M6 x 60mm</p>	<p><b>#3</b></p>  <p>M6 x 40mm</p>	<p><b>#4</b></p> 	<p><b>#5</b></p> 
<p>Long Bolt 8 PCS (Extra 1)</p>	<p>Bolt 8 PCS (Extra 1)</p>	<p>Short Bolt 6 PCS (Extra 1)</p>	<p>Spring Washer 22 PCS (Extra 1)</p>	<p>Flat Washer 22 PCS (Extra 1)</p>

<p><b>#6</b></p>  <p>M4</p>
<p>Allen Wrench 1 PC</p>

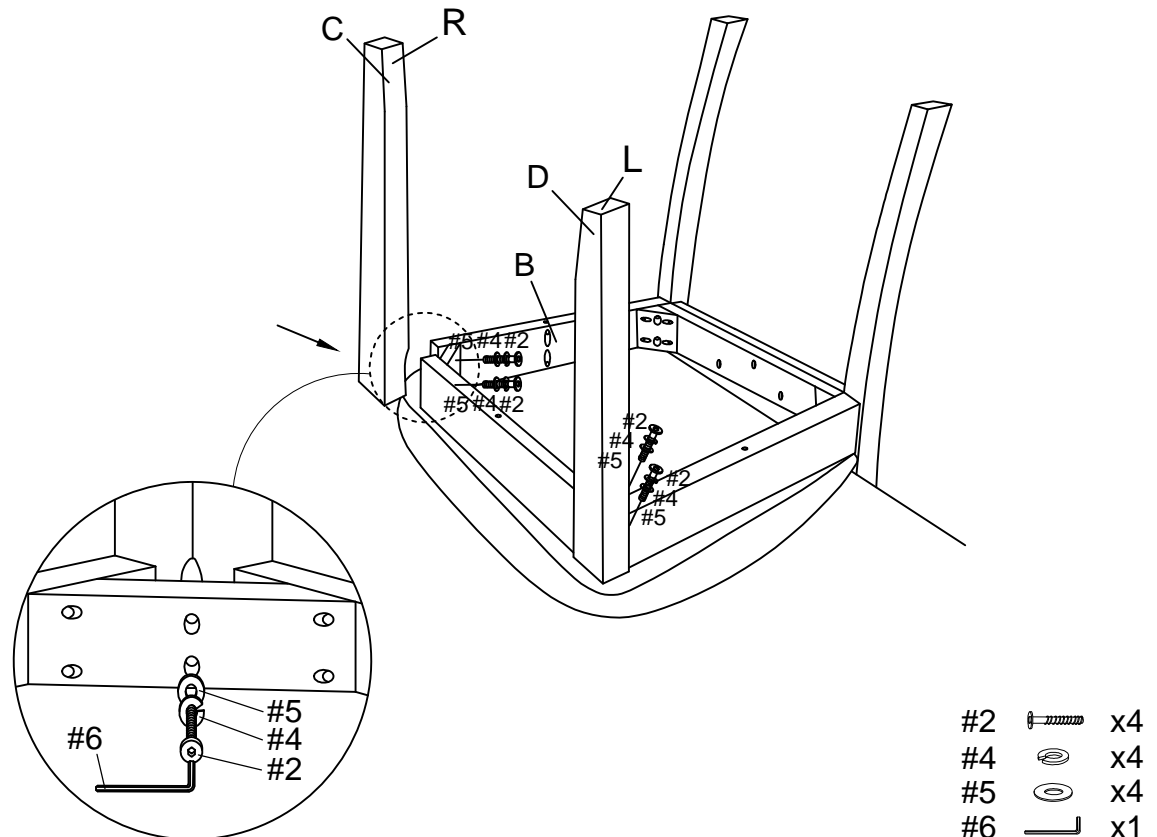
Step 1 . Attach seat (part B) to back (part A) using long bolts (part #1), short bolts (part #3), spring washers (part #4), flat washers (part #5) and allen wrench (part #6).

NOTE: Please do not fully tighten bolts until unit is fully assembled.



Step 2 . Attach legs (parts C & D) to seat (part B) using bolts (part #2), spring washers (part #4), flat washers (part #5) and allen wrench (part #6).

NOTE: Please fully tighten all bolts at this time.



Step 3. Carefully turn unit upright. Repeat steps 1-2 to assemble remaining chair.

