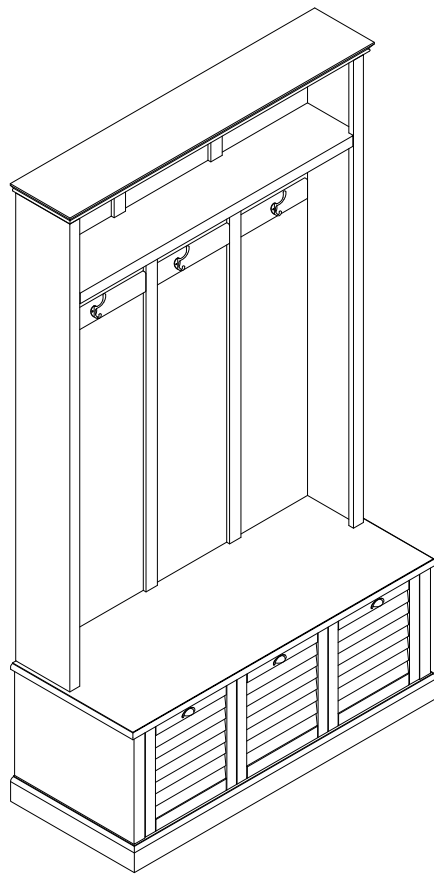


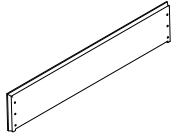
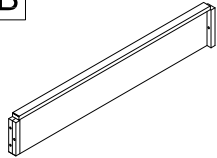
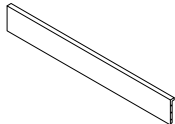
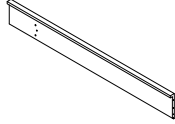
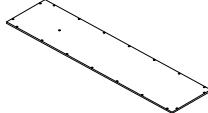
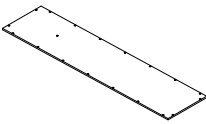
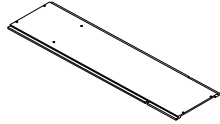
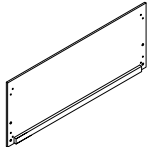
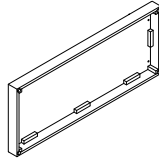
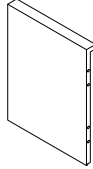
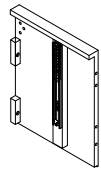
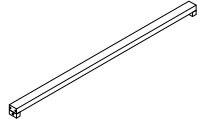
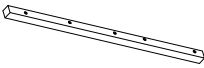
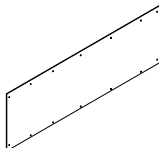
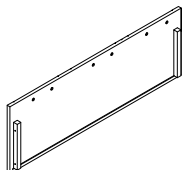
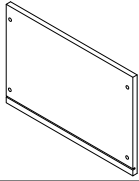
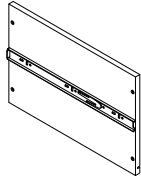
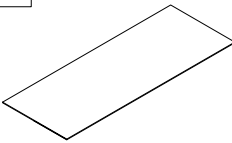
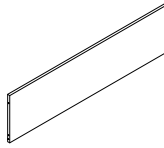
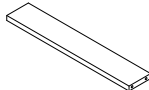


Hall Tree

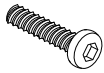
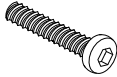

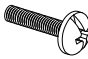





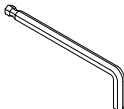

DF6024



PART LIST

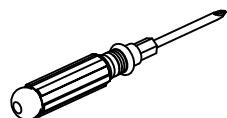
<p>A</p> 	<p>B</p> 	<p>C</p> 	<p>D</p> 	<p>E</p> 
<p>Top Panel 1 PC</p>	<p>Shelf 1 PC</p>	<p>Upper Left Panel 1 PC</p>	<p>Upper Right Panel 1 PC</p>	<p>Right Back Panel 1 PC</p>
<p>F</p> 	<p>G</p> 	<p>H</p> 	<p>I</p> 	<p>J</p> 
<p>Left Back Panel 1 PC</p>	<p>Middle Back Panel 1 PC</p>	<p>Seat Panel 1 PC</p>	<p>Bottom Panel 1 PC</p>	<p>Lower Left Panel 1 PC</p>
<p>K</p> 	<p>L</p> 	<p>M</p> 	<p>N</p> 	<p>O</p> 
<p>Lower Right Panel 1 PC</p>	<p>Lower Rail 1 PC</p>	<p>Upper Rail 2 PCS</p>	<p>Lower Back Panel 1 PC</p>	<p>Drawer Front Panel 1 PC</p>
<p>P</p> 	<p>Q</p> 	<p>R</p> 	<p>S</p> 	<p>T</p> 
<p>Drawer Right Panel 1 PC</p>	<p>Drawer Left Panel 1 PC</p>	<p>Drawer Bottom Panel 1 PC</p>	<p>Drawer Back Panel 1 PC</p>	<p>Drawer Bottom Rail 2 PCS</p>

HARDWARE LIST

<p>#1</p>  <p>Φ1/4"*1"</p>	<p>#2</p>  <p>Φ1/4"*1 3/8"</p>	<p>#3</p>  <p>Φ8"*30mm</p>	<p>#4</p>  <p>Φ5/32"*3/8"</p>	<p>#5</p>  <p>Ø4*1"</p>
<p>Short Bolt 16 PCS (Extra 2)</p>	<p>Long Bolt 4 PCS</p>	<p>Wood Dowel 24 PCS (Extra 2)</p>	<p>Round Head Bolt 6 PCS</p>	<p>Short Screw 8 PCS</p>
<p>#6</p>  <p>Ø3*16mm</p>	<p>#7</p>  <p>Ø4*1 1/2"</p>	<p>#8</p> 	<p>#9</p>  <p>L85xW30xH27</p>	<p>#10</p>  <p>M4</p>
<p>Screw 54 PCS (Extra 2)</p>	<p>Long Screw 12 PCS (Extra 2)</p>	<p>Hook 3 PCS</p>	<p>Handle 3 PCS</p>	<p>Allen Wrench 1 PC</p>
<p>#11</p>  <p>Safety Strap Kit 1 SET</p>				

ADDITIONAL TOOLS (Not Provided)

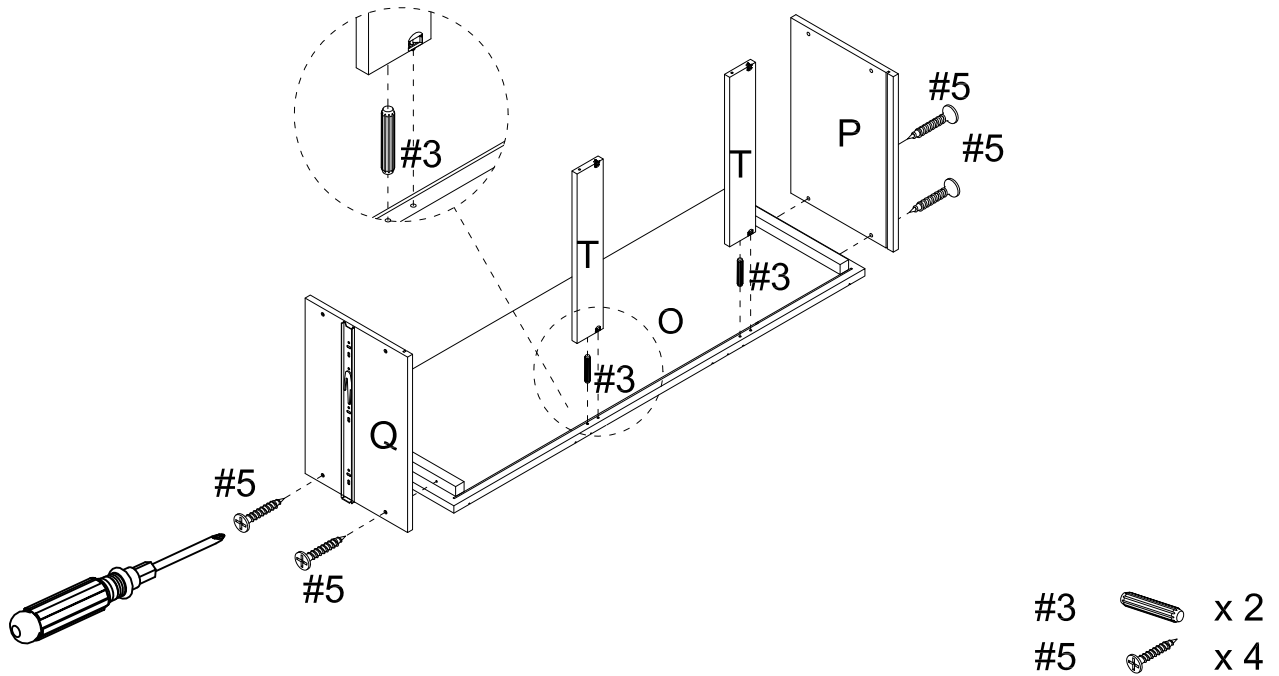
Note: It is not recommended to use power tools during assembly.



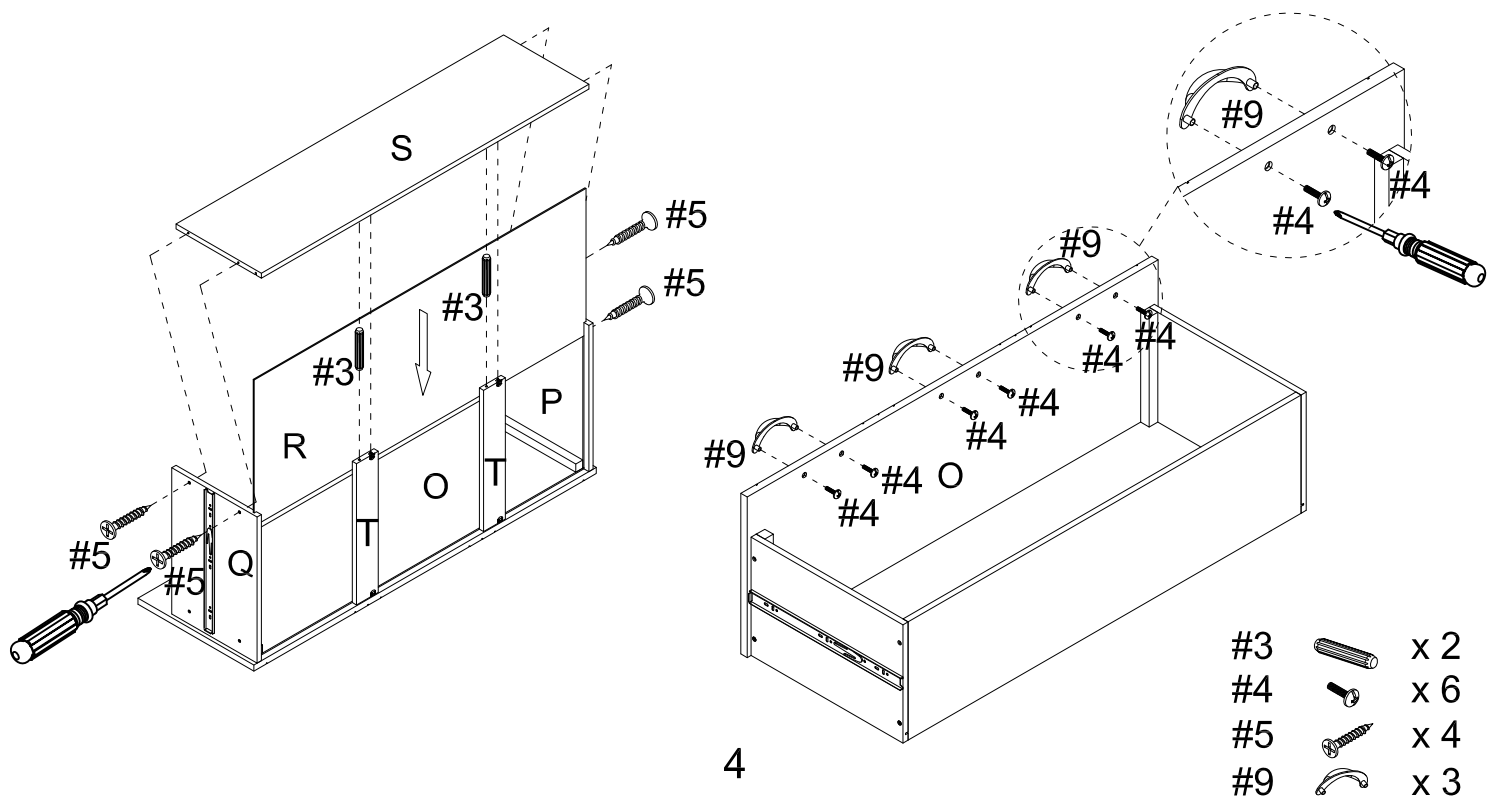
Phillips Head Screwdriver

Note: Wood dowels are intended for alignment. Additional clearance between wood dowel and pre-drilled hole is intentional for ease of assembly.

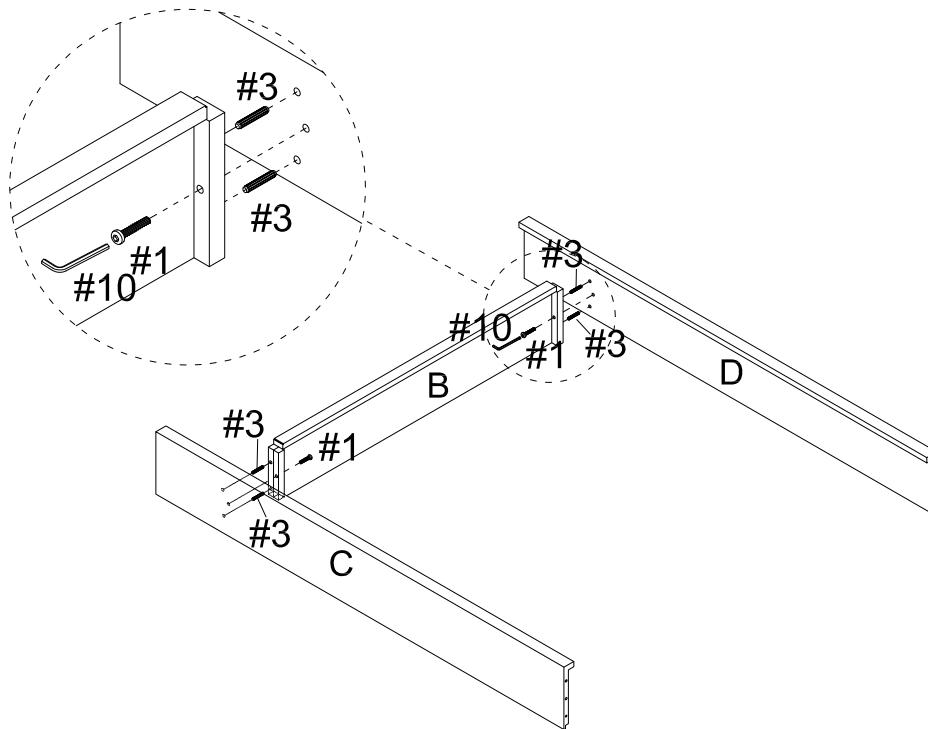
Step 1. Attach drawer bottom rails (part T), drawer left panel (part Q) and drawer right panel (part P) to drawer front panel (part O) using wood dowels (part #3), short screws (part #5) and phillips head screwdriver.



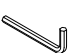


Step 2. Insert drawer bottom panel (part R) to assembled unit (parts O, P, Q & T). Attach drawer back panel (part S) to assembled unit (parts P, Q, R & T) using wood dowels (part #3), short screws (part #5) and phillips head screwdriver. Attach handles (part #9) to drawer front panel (part O) using round head bolts (part #4) and phillips head screwdriver.

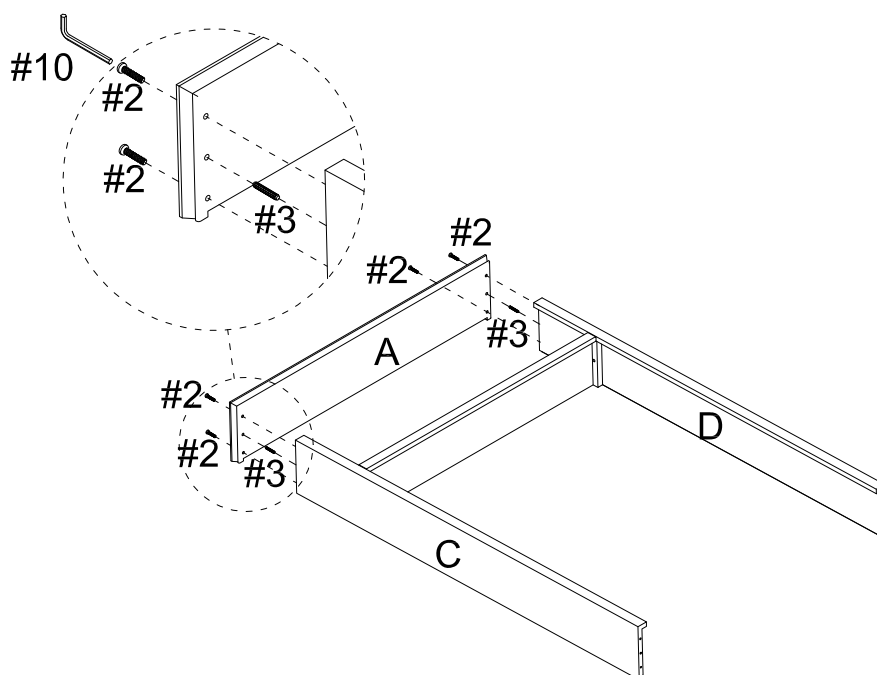



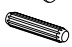

Step 3. Attach shelf (part B) to upper panels (parts C & D) using wood dowels (part # 3), short bolts (part #1) and allen wrench (part #10).



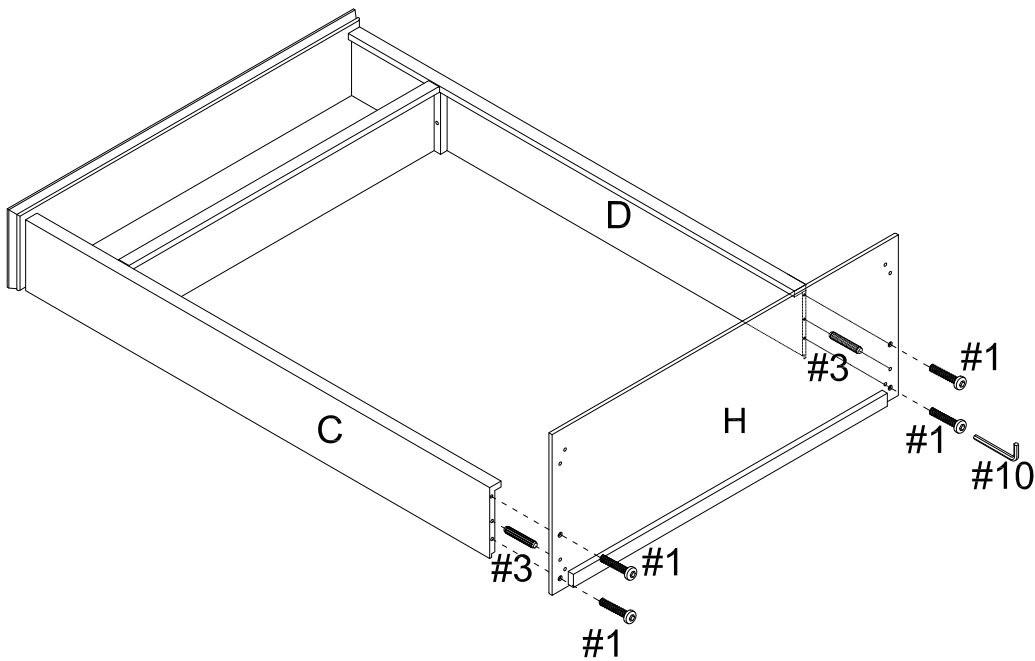
- | | | |
|-----|---|-----|
| #1 |  | x 2 |
| #3 |  | x 4 |
| #10 |  | x 1 |

Step 4. Attach top panel (part A) to upper panels (parts C & D) using wood dowels (part # 3), long bolts (part #2) and allen wrench (part #10).

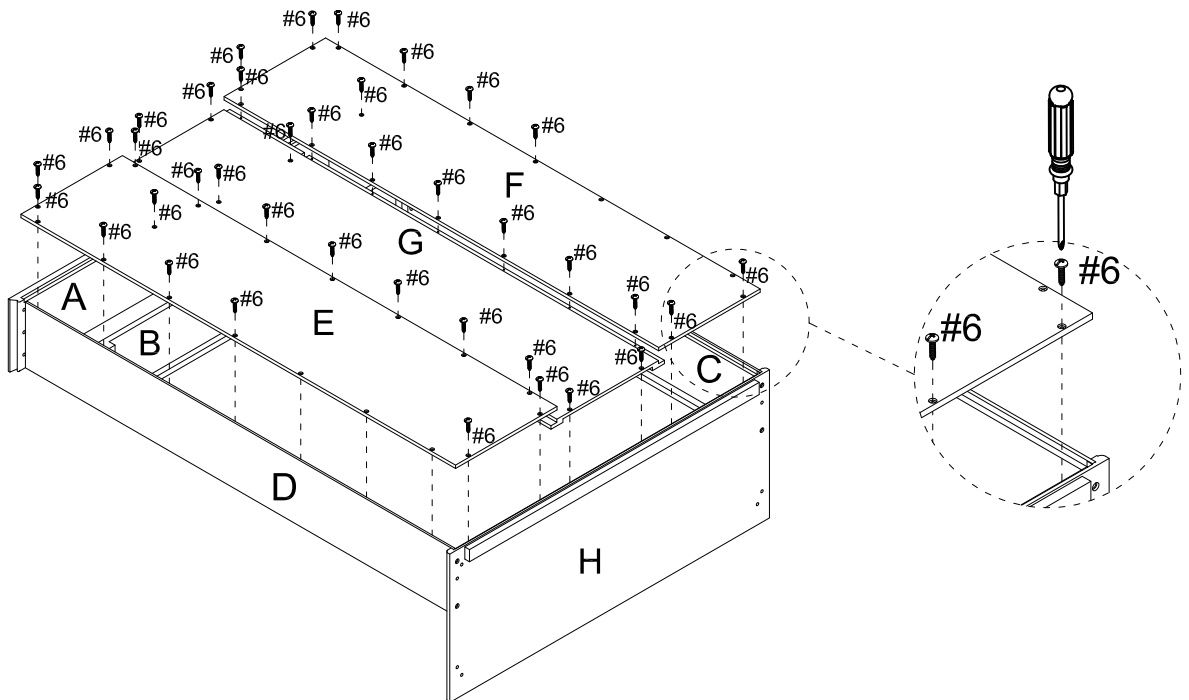


- | | | |
|-----|---|-----|
| #2 |  | x 4 |
| #3 |  | x 2 |
| #10 |  | x 1 |

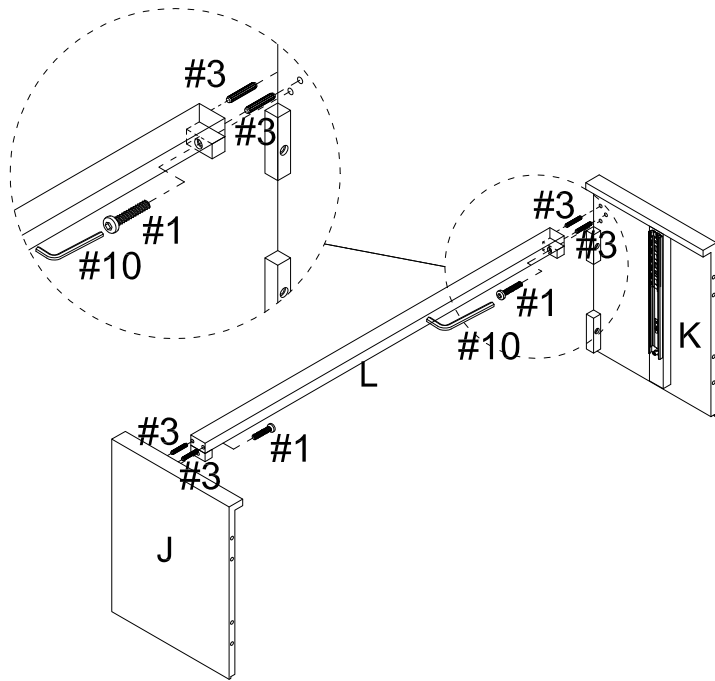
Step 5. Attach seat panel (part H) to upper panels (parts C & D) using wood dowels (part #3), short bolts (part #1) and allen wrench (part #10).






Step 6. Attach back panels (parts E, F & G) to assembled unit (parts A, B, C, D & H) using screws (part #6) and phillips head screwdriver.

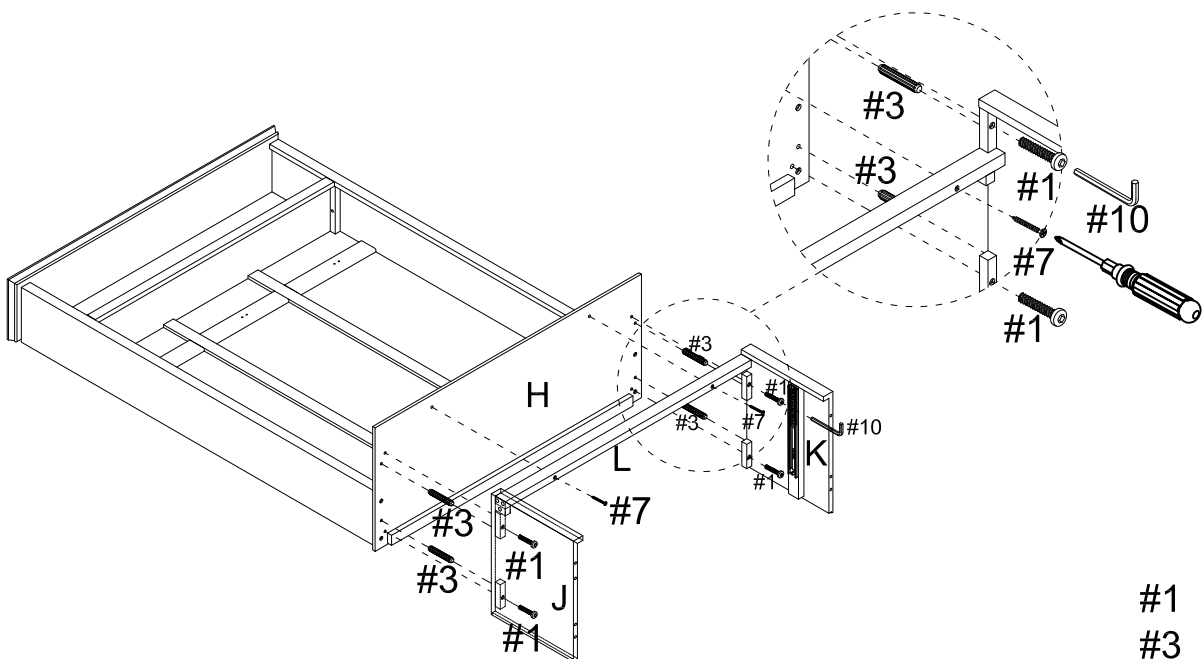






Step 7. Attach lower rail (part L) to lower panels (parts J & K) using wood dowels (part # 3), short bolts (part #1) and allen wrench (part #10).



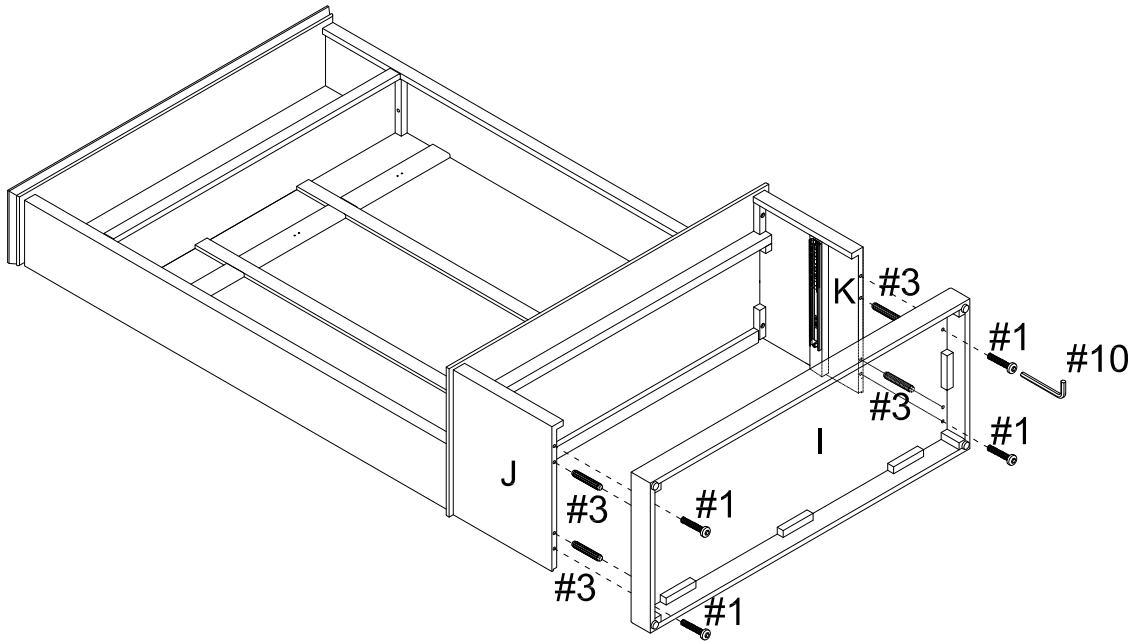
- | | | |
|-----|---|-----|
| #1 |  | x 2 |
| #3 |  | x 4 |
| #10 |  | x 1 |




Step 8. Attach assembled unit (parts J, K & L) to seat panel (part H) using wood dowels (part # 3), short bolts (part #1), long screws (part #7), allen wrench (part #10) and phillips head screwdriver.



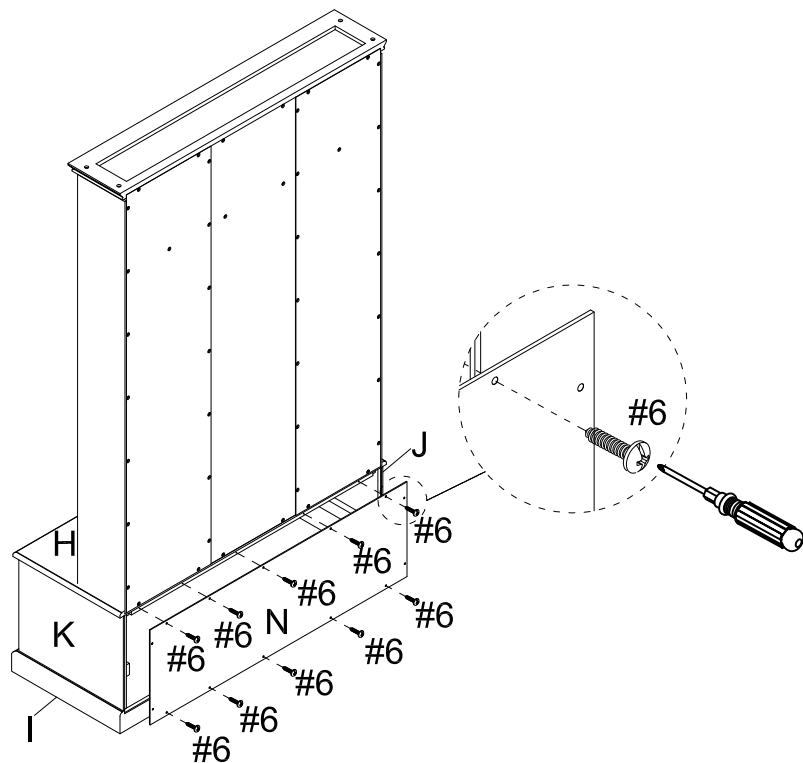
- | | | |
|-----|---|-----|
| #1 |  | x 4 |
| #3 |  | x 4 |
| #7 |  | x 2 |
| #10 |  | x 1 |

Step 9. Attach bottom panel (part I) to lower panels (parts J & K) using wood dowels (part #3), short bolts (part #1) and allen wrench (part #10).



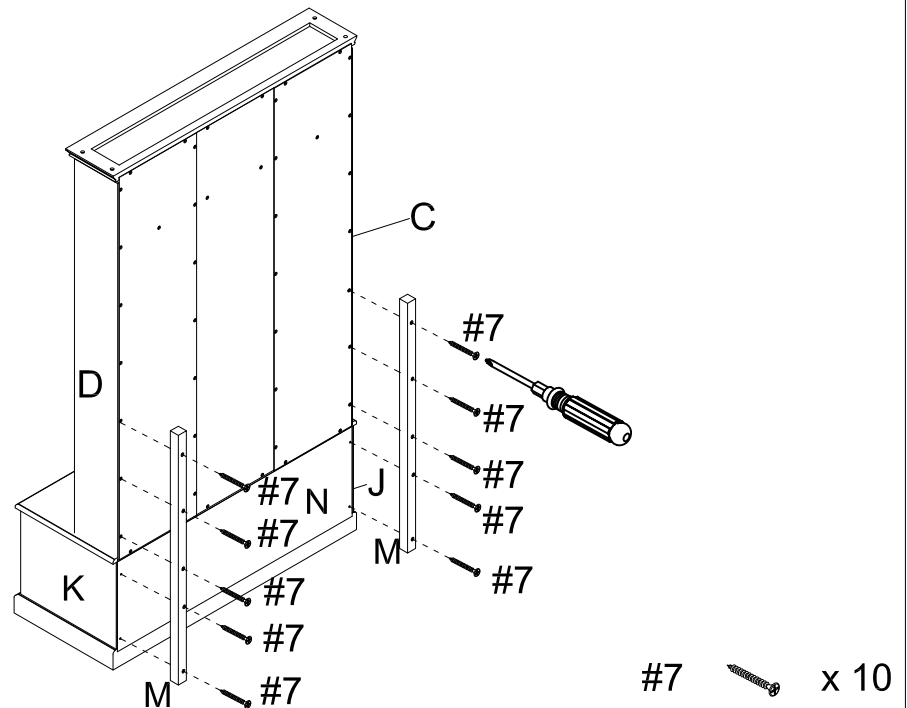
- | | | |
|-----|---|-----|
| #1 |  | x 4 |
| #3 |  | x 4 |
| #10 |  | x 1 |

Step 10. Carefully turn unit upright. Attach lower back panel (part N) to seat panel (part H) and bottom panel (part I) using screws (part #6) and phillips head screwdriver.



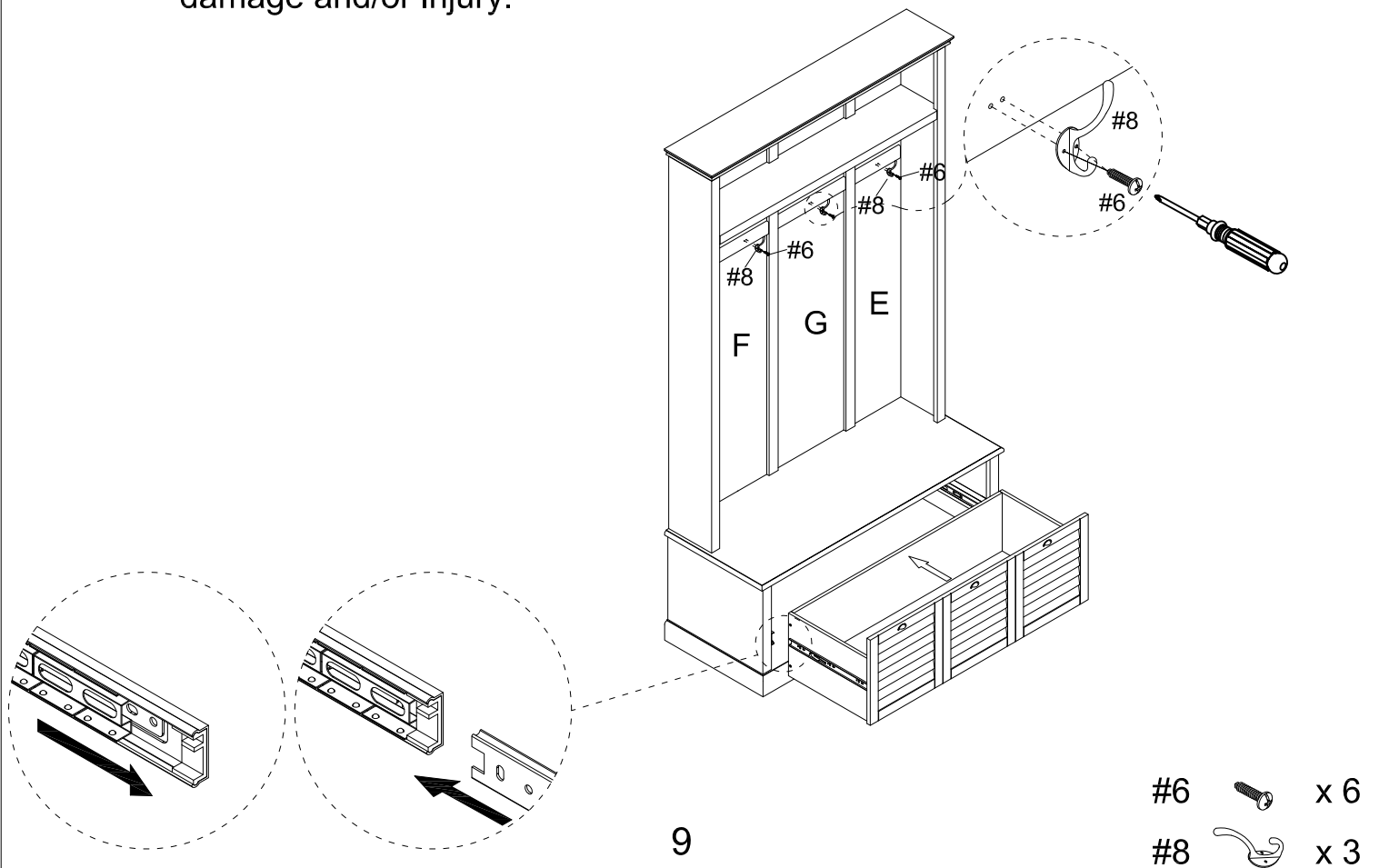
- | | | |
|----|---|------|
| #6 |  | x 10 |
|----|---|------|







Step 11. Attach upper rails (part M) to upper panels (parts C & D) and lower panels (parts J & K) using long screws (part #7) and phillips head screwdriver.



Step 12. Attach hooks (part #8) to back panels (parts E, F & G) using screws (part #6) and phillips head screwdriver. Slide assembled drawer into place.

Important: Safety strap kit (part #11) must be installed to prevent tipping, damage and/or injury.



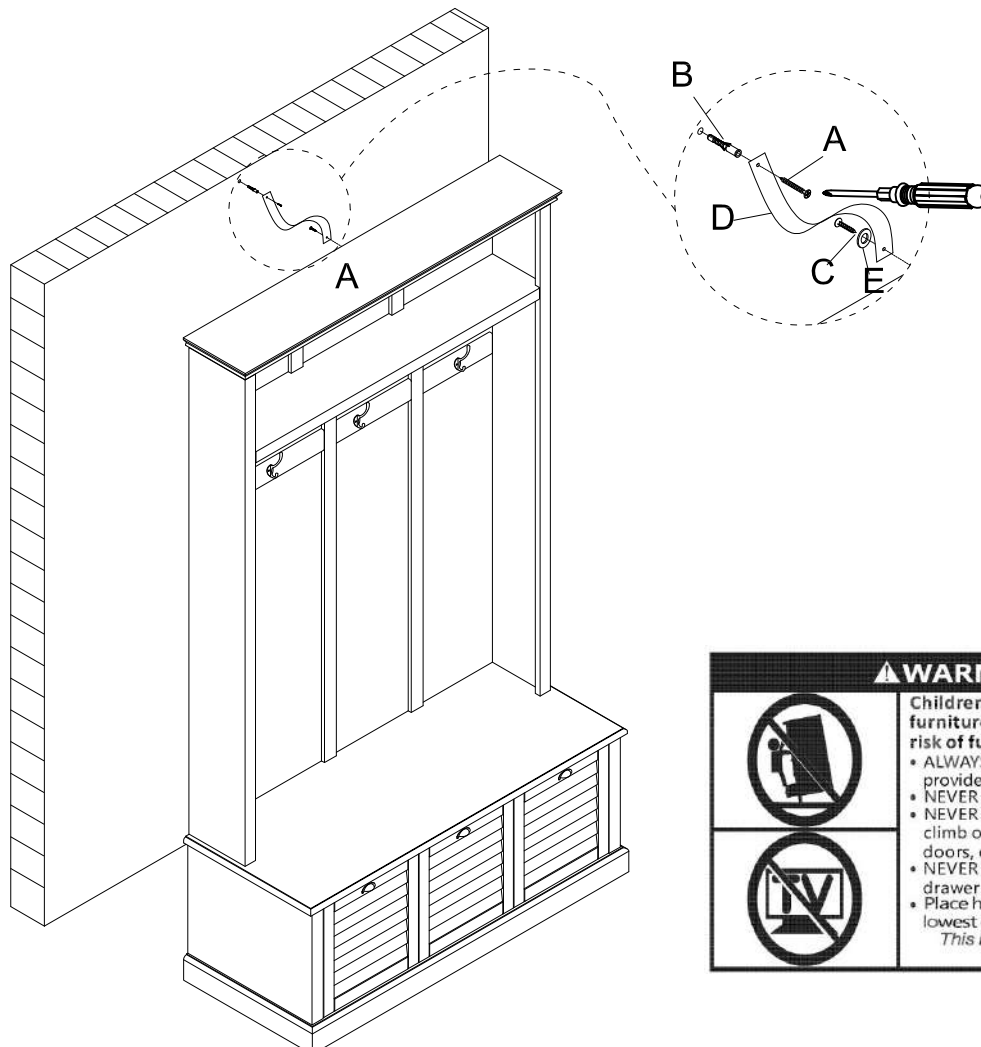
#11	A	B	C	D	E
					
	1-1/2"xØ4xD8		5/8"xØ3xD8		
Safety Strap Kit 1 SET	Long Screw 1 PC	Wall Anchor 1 PC	Short Screw 1 PC	Safety Wall Strap 1 PC	Flat Washer 1 PC

SAFETY WALL STRAP INSTALLATION

Note: It is highly recommended to install this safety strap kit to prevent tipping, damage and/or injury.

1. Insert short screw (C) through flat washer (E) and safety wall strap (D) and attach to top panel (part A) using phillips head screwdriver.
2. Drill a 11/32" hole where you want to secure the unit. The drilled hole will be at the same height as the hole in top panel (part A) where safety wall strap (D) is attached. Tap wall anchor (B) into the hole.
3. Insert long screw (A) through safety wall strap (D) into wall anchor (B) using phillips head screwdriver.

Note: This item is not intended for clothing storage use.



▲ WARNING	
	<p>Children have died from furniture tipover. To reduce the risk of furniture tipover:</p> <ul style="list-style-type: none"> • ALWAYS install tipover restraint provided. • NEVER put a TV on this product. • NEVER allow children to stand, climb or hang on drawers, doors, or shelves. • NEVER open more than one drawer at a time. • Place heaviest items in the lowest drawers. <p><i>This is a permanent label. Do not remove!</i></p>
	