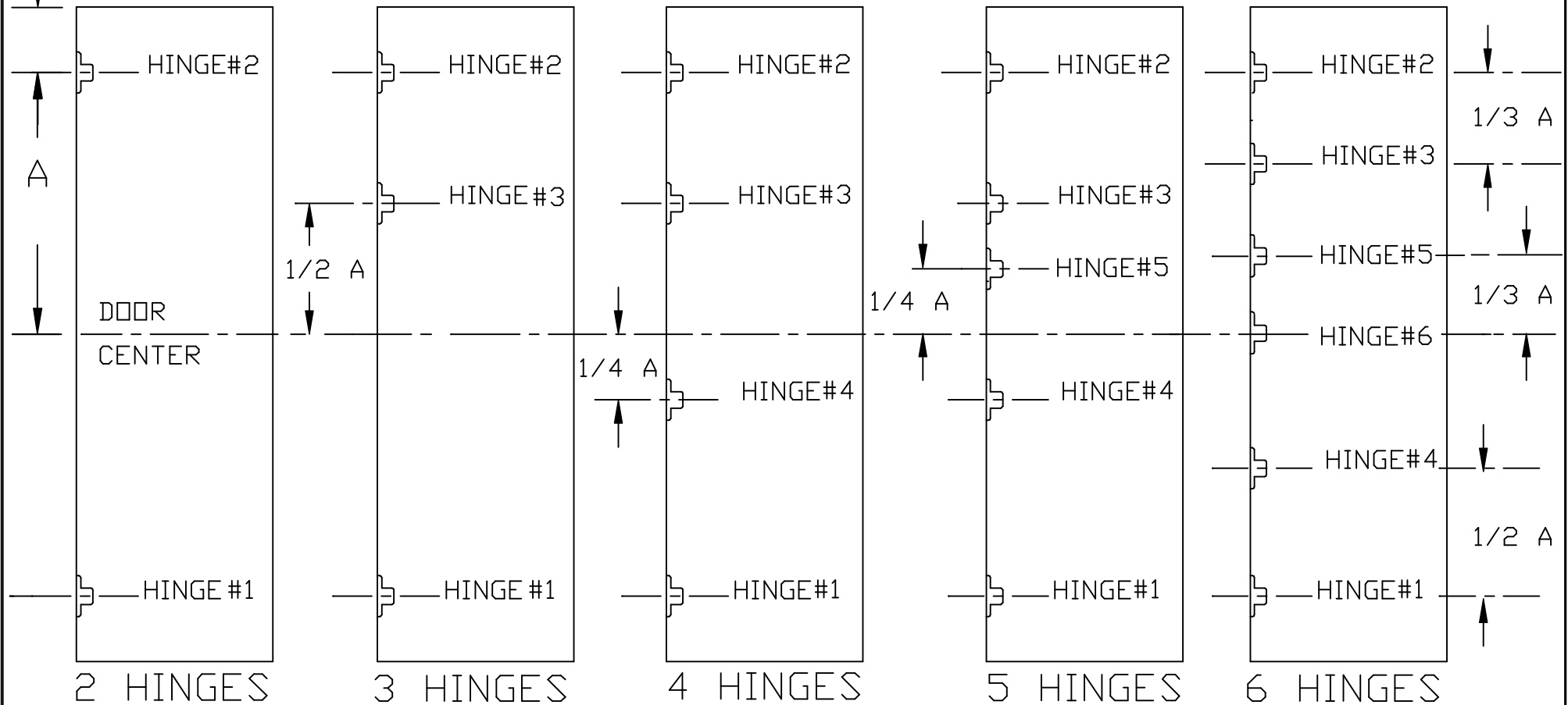


SOSS OFFERS A ROUTER GUIDE SYSTEM WHERE ONE SETUP PROVIDES FAST ACCURATE MORTISING ON BOTH DOOR AND FRAME. SEE TITLE BLOCK FOR ROUTER GUIDE PART NUMBERS FOR EACH SIZE HINGE.

8 TO 10 INCHES FROM END (BOTH TOP AND BOTTOM HINGE)



SEE CATALOG NOMOGRAPH TO DETERMINE THE NUMBER OF HINGES REQUIRED FOR A DOOR OF KNOWN WEIGHT AND HEIGHT.

LOCATION IS NOT CRITICAL ON DOORS REQUIRING MORE THAN 7 HINGES. LOCATE MOST HINGES IN THE TOP HALF OF THE DOOR.

UIP

© Copyright 1998
 Universal Industrial Products Co. Inc.
 One Coreway Drive
 Pioneer, Ohio 43554-0628

SCALE: NOT TO SCALE

DATE: 4/8/98

DRAWN BY: R. SEIGNEUR

CHECKED BY:

ROUTER GUIDE SYSTEMS

#216 - PART# 216RG4

#218 - PART# 218RG4

#220 - PART# 220RG4

SOSS INVISIBLE HINGE

NAME
 VERTICAL

●●kitchensource.com

☎ 1.800.667.8721