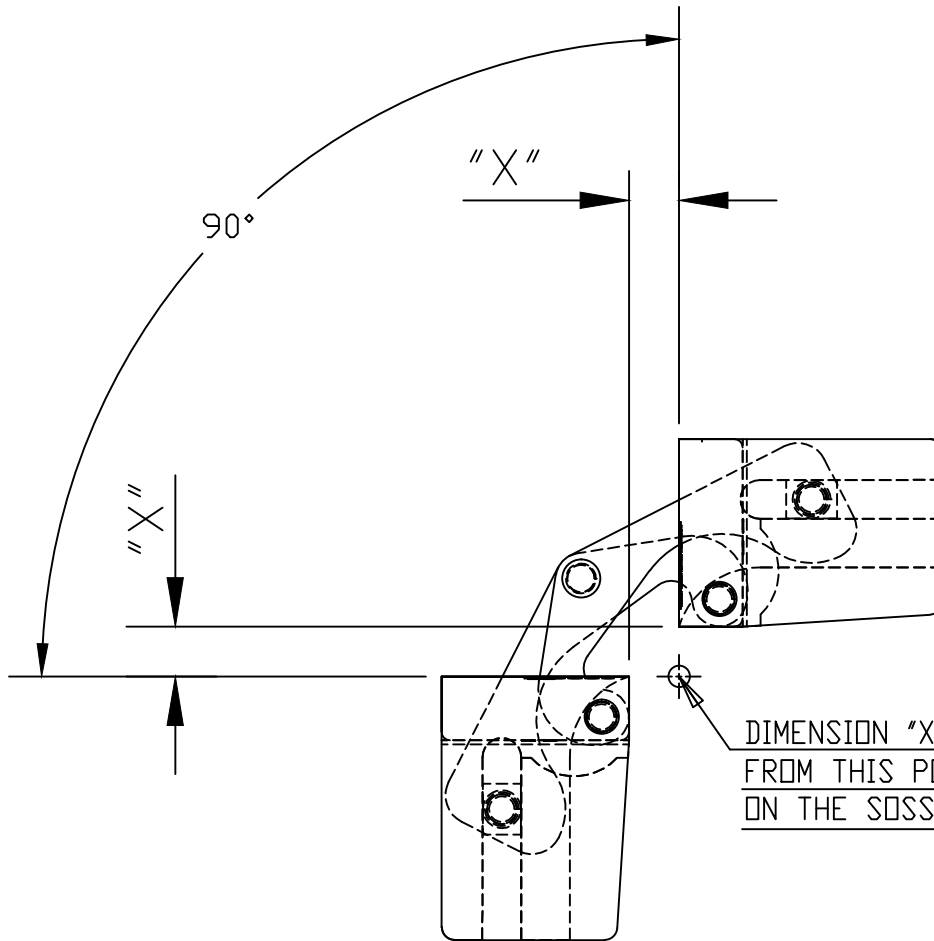


HINGE #	"X" DIMENSION
208	11/64
212	13/64
216	9/32
218	5/16
220	3/8
416	9/32
418	5/16
420	25/64



DIMENSION "X" IS THE DIMENSION FROM THIS POINT TO EITHER FACE ON THE SOSS HINGES LISTED

DO NOT SCALE DRAWING
ALL DIMENSIONS ARE IN INCH

UIP ©Copyright 2008 Universal Industrial Products, Inc. One Coreway Drive Pioneer, Ohio 43554-0628	SCALE: NONE
	DRAWN BY: NNM
SOSS INVISIBLE HINGE	DATE: 5/01/11
90° ΠΡΕΤΗ ΔΙΜΕΝΣΙΟΝΣ	DRAWING #3900-SKT2