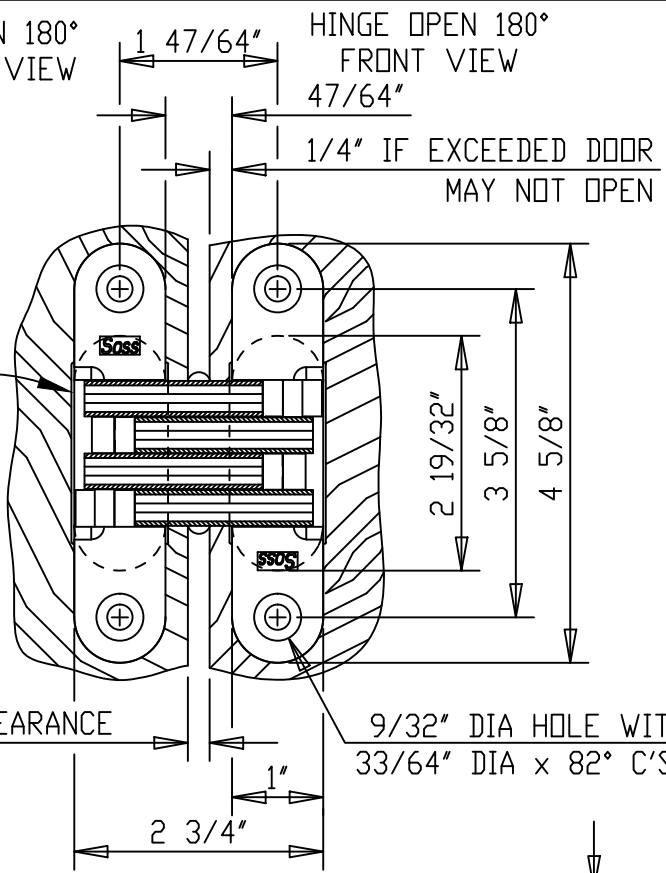
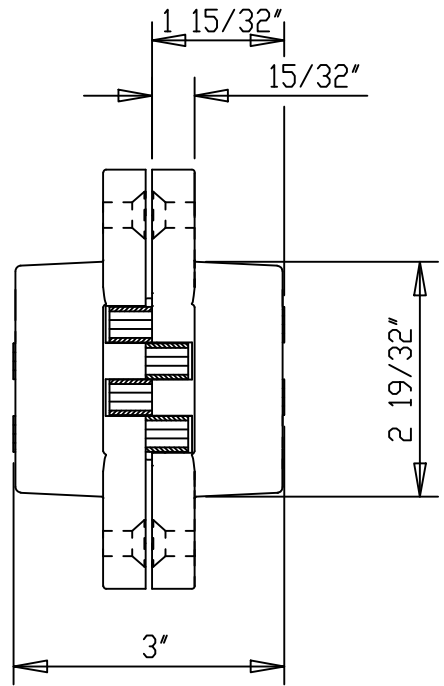


HINGE OPEN 180°
ISOMETRIC VIEW



HINGE OPEN 180°
FRONT VIEW
47/64"

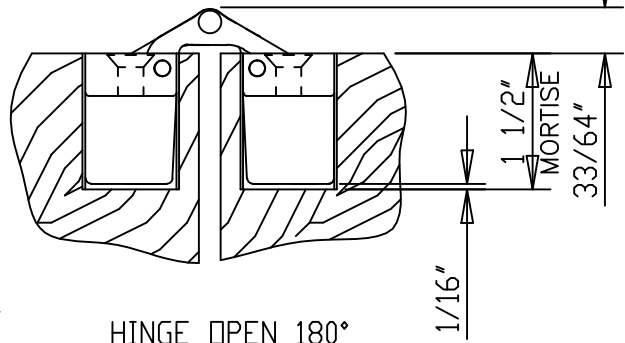
HINGE CLOSED
FRONT VIEW CUT AWAY



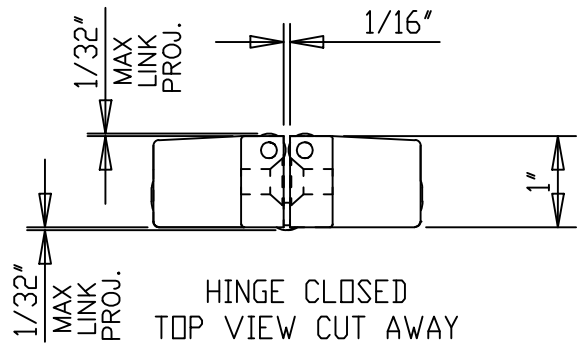
1/32 WIDE X 2 LONG RELIEF PKT FULL DEPTH, BOTH SIDES, SIDES, (CENTERED BETWEEN THE MOUNTING HOLES) IN THE FRAME AND IN THE DOOR POCKET TO PROVIDE CLEARANCE FOR HINGE LINK PLATES, WHEN MORTISING, AS DRAWN.

15/64" DOOR CLEARANCE

9/32" DIA HOLE WITH
33/64" DIA x 82° C'SINK



HINGE OPEN 180°
TOP VIEW CUT AWAY



HINGE CLOSED
TOP VIEW CUT AWAY

SUPPLIED:
WOOD SCREW
#14 x 1-1/2"
SPECIAL ORDER:
MACH. SCREW
1/4-20 x 1"

MIN. MATERIAL THICKNESS IS 1-3/8"
DO NOT SCALE DRAWING
ALL DIMENSIONS ARE IN INCH
DOOR CLEARANCE REDUCES TO 1/64" WHILE CLOSING
SEE DWG# 4477-C IF ADDING MATERIAL TO DOOR FACE AND/OR FRAME FACE

Copyright 2008 Universal Industrial Products, Inc. One Coreway Drive Pioneer, Ohio 43554-0628	SCALE: 1/2 = 1
	DRAWN BY: LHH
HINGE TEMPLATE	DATE: 5/01/11
#216 UNIVERSAL INDUSTRIAL HINGE	DRAWING # 216