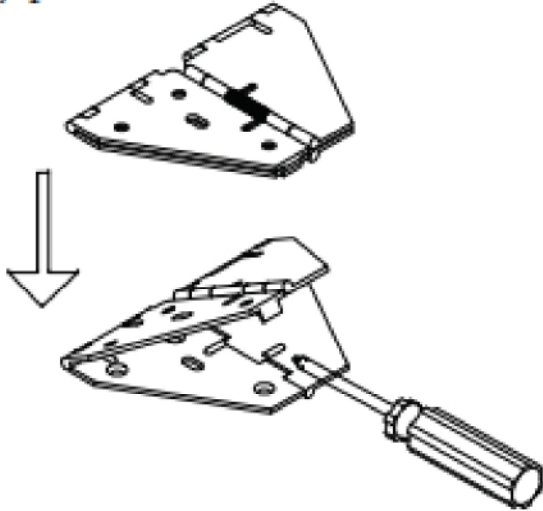
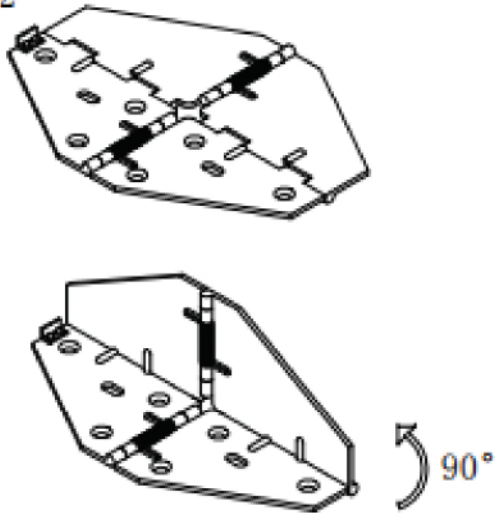


# 813-85-02 FLIP-FLOP HINGE INSTALLATION

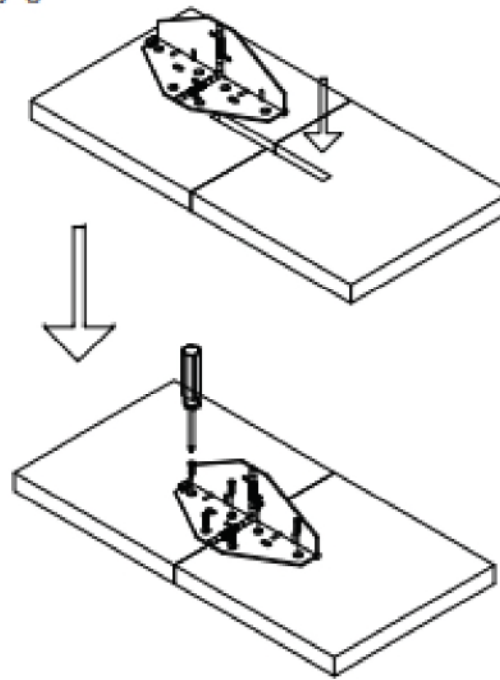
step 1



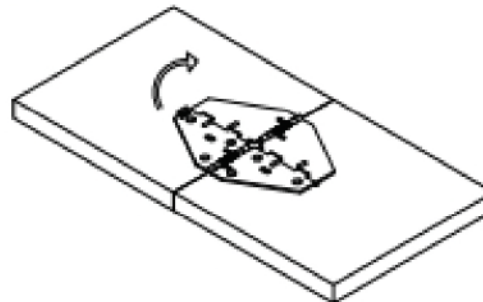
step 2



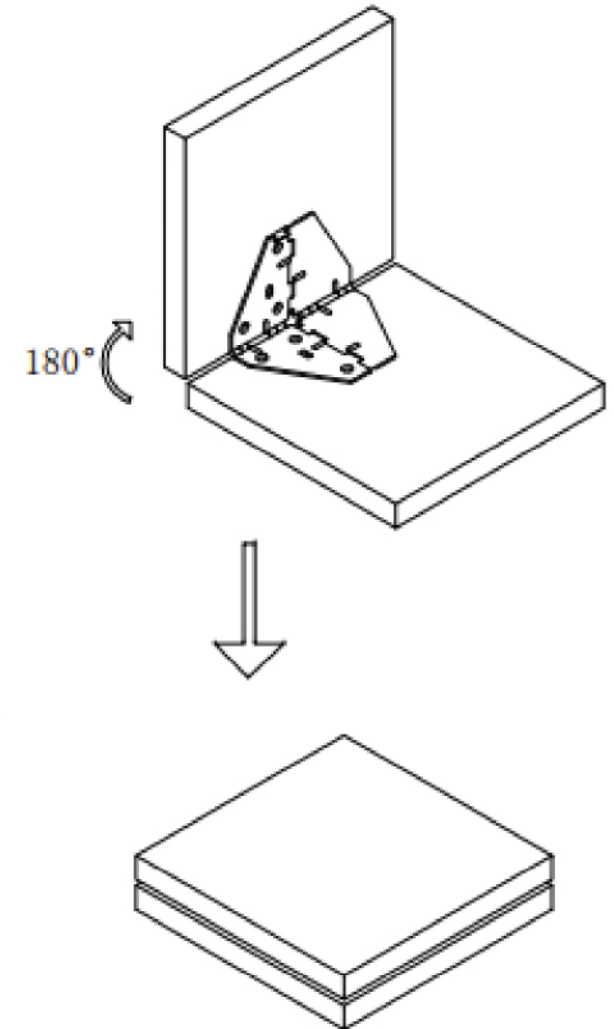
step 3



step 4



step 5



**CAUTION** when handling hinge to avoid finger injury. Hinge is under constant spring tension.