



Soft-Close Undermount Drawer Slides



KNAP & VOGT.



The Next Evolution in Undermount Technology

The next evolution in concealed slide technology is here with the redesign of our MuV Undermount drawer slide, the premier choice of cabinet makers.

MuV+ and MuV+HD raise the bar for undermount function with a soft-close action that is quieter than ever, smooth operation that is unmatched in the industry and more flexible with added adjustment features preferred by cabinet makers everywhere.



NEW soft-close is quieter than ever

A redesign of the pivoting closure on the patented soft-close module gives MuV+ its super-quiet close. KV engineers used a cushioning polymer that significantly dampens sound. As innovative as ever, the fully integrated patented soft-close mechanism glides the drawer to a smooth close with no rebound. The result? A soft-close that is almost beyond quiet.



Pivoting closure features cushioning polymer for quieter operation

Hydraulic cylinder eliminates drawer rebound

NEW soft-close is adjustable

Now the MuV+ soft-close module features an innovative, integrated adjustable closure. This can be used to adjust pull-force if needed to maintain the distinctively smooth open-and-close operation. (18" and longer models)



Adjust pull-force if needed to maintain smooth operation

NEW adjustability = flexibility

Three release levers offer tool-free, optimal fine-tuning of your drawer installation:

- **Good:** 1D release lever gives you up/down height adjustment
- **Better:** 2D release lever offers height and side-to-side adjustment
Optional inset adjuster can be added for inset adjustment
- **Best:** 3D release lever offers height, side-to-side and inset adjustment

Plus: New rear adjustment module allows additional side-to-side fine tuning.

The new front release levers are sold separately, giving you the flexibility and additional choice in adjustment capability that's expected in fine residential or commercial cabinetry construction.



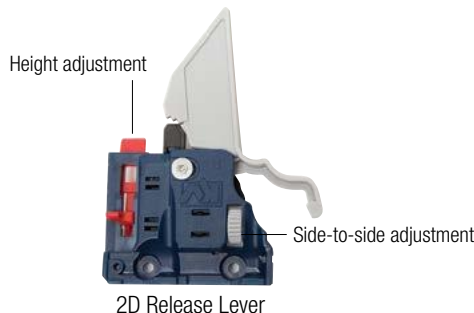
Cassette rollers

Drawer fronts stay aligned and true

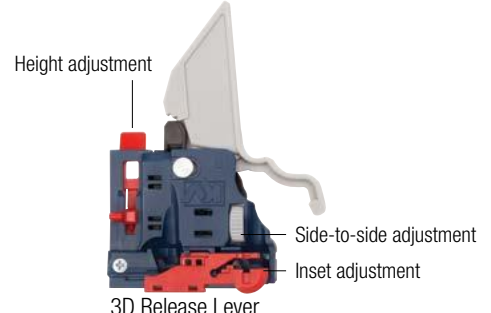
For inset drawers, MuV+ release levers with three levels of adjustment allow for perfect drawer alignment every time. Integrated cassette rollers help to stabilize content load and eliminate sag when the drawer is in the closed position.



1D Release Lever



2D Release Lever



3D Release Lever

Set up, install, fine-tune: easy as 1-2-3

1. MuV+ slides support industry standard drawer box construction and feature a 32mm mounting hole pattern.
2. Elongated mounting holes on the front and back of the drawer member make initial horizontal and vertical placement fast and simple. New bottom mounting holes allow flat-surface mounting.
3. Three ergonomic front release brackets offer good-better-best adjustment options. The release brackets are notched to accommodate various drawer material thicknesses, while open areas allow better access to screws. A rear adjustment module accommodates side-to-side movement.



Rear mounting



Bottom, flat-surface mounting on sizes 15" and longer



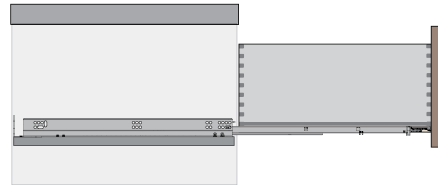
Front mounting



Rear adjustment module: additional side-to-side adjustment

Full extension for complete drawer box access

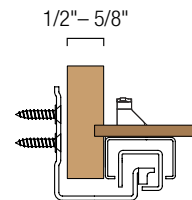
All MuV+ and MuV+HD slides 18" and longer feature a true full extension, which allows for complete access to drawer contents.



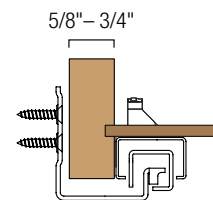
True full extension on sizes 18" and longer.

Accommodates several sizes of drawer boxes

MuV+ and MuV+HD are available in two models, allowing use of drawer box material up to 3/4" thick.



MuV+
MuV+HD



MuV+34
MuV+34HD

Wide range of sizes = more storage space

MuV+ and MuV+HD give cabinet makers the flexibility to build deeper drawer boxes in standard cabinet configurations. That means up to two inches of additional drawer box depth, creating more storage in the same amount of space.

Drawer Depth Gain with MuV+ & MuV+HD

Cabinet depth	Competitor slide length	MuV+ slide length	MuV+HD slide length	Drawer depth gain
12"	9"	9"	-	-
12"	-	10"	-	+1"
15"	12"	12"	-	-
15"	-	14"	-	+2"
18"	15"	15"	-	-
18"	-	16"	-	+1"
21"	18"	18"	18"	-
21"	-	20"	20"	+2"
24"	21"	21"	21"	-
24"	-	22"	22"	+1"



Technical Information

Name	Load Rating	Travel	Finish	Warranty
MuV+	75 lb Class	Full Extension	Galvanized	Limited Lifetime
MuV+34	75 lb Class	Full Extension	Galvanized	Limited Lifetime
MuV+HD	120 lb Class	Full Extension	Galvanized	Limited Lifetime
MuV+34HD	120 lb Class	Full Extension	Galvanized	Limited Lifetime

Performance Standards

All MuV+ Undermount slides meet or exceed performance standards as established by BIFMA, BHMA, and KCMA.

Packaging

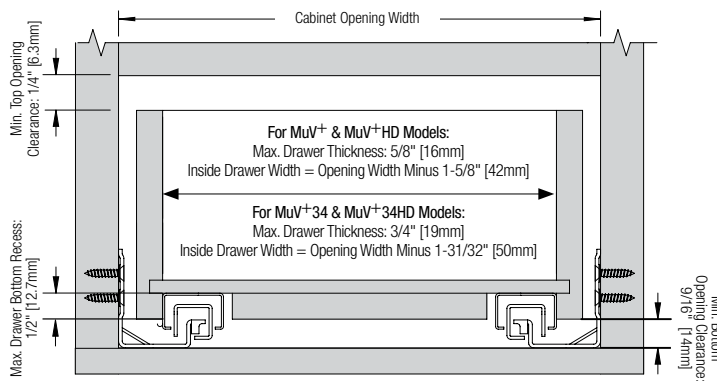
Slides

MuV+	6 pair per carton (14"+)
and MuV+34	4 pair per carton (9", 10", 12")
MuV+HD	4 pair per carton
and MuV+34HD	

Releases (sold separately)

MuV1D-RL	1 pair per bag, 60 bags per carton
MuV2D-RL	1 pair per bag, 24 bags per carton
MuV3D-RL	1 pair per bag, 12 bags per carton
MuVRL Inset	1 pair per bag, 12 bags per carton

Drawer Dimensions For Face-Frame and Frameless Applications



Drawer Width Calculator

Drawer Thickness	Deduct from Opening Width	
	MuV+ & MuV+HD	MuV+34 & MuV+34HD
3/4" [19mm]	–	15/32" [12mm]
11/16" [17.5mm]	–	19/32" [15mm]
5/8" [16mm]	3/8" [10mm]	23/32" [18mm]
9/16" [14mm]	9/16" [14mm]	–
1/2" [13mm]	5/8" [16mm]	–

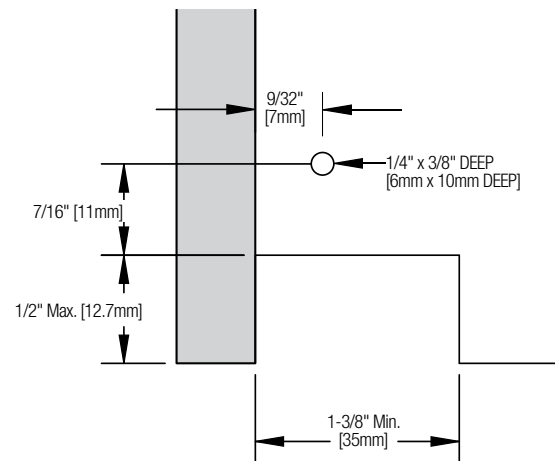
Part Numbers

Drawer Length	75 lb Class		120 lb Class	
	MuV+	MuV+34	MuV+HD	MuV+34HD
9"	MUVAB 9	MUV34AB 9	–	–
10"	MUVAB 10	MUV34AB 10	–	–
12"	MUVAB 12	MUV34AB 12	–	–
14"	MUVAB 14	MUV34AB 14	–	–
15"	MUVAB 15	MUV34AB 15	–	–
16"	MUVAB 16	MUV34AB 16	–	–
18"	MUVAB 18	MUV34AB 18	MUVHDAB 18	MUV34HDAB 18
20"	MUVAB 20	MUV34AB 20	MUVHDAB 20	MUV34HDAB 20
21"	MUVAB 21	MUV34AB 21	MUVHDAB 21	MUV34HDAB 21
22"	MUVAB 22	MUV34AB 22	MUVHDAB 22	MUV34HDAB 22
24"	–	–	MUVHDAB 24	MUV34HDAB 24
27"	–	–	MUVHDAB 27	MUV34HDAB 27
30"	–	–	MUVHDAB 30	MUV34HDAB 30

Release Lever Adjustment

Part Number	Height	Side-to-Side	In/Out
MUV1D-RL	+ 1/8" [3mm]	–	–
MUV2D-RL	+ 1/8" [3mm]	± 1/16" [1.5mm]	–
MUV3D-RL	+ 1/8" [3mm]	± 1/16" [1.5mm]	+ 3/32" [2.5mm]

Drawer Notch & Bore MuV+, MuV+34, MuV+HD, MuV+34HD



Accessories



MUV-RBM
Rear Mounting Bracket (Metal)
For 14"+ sizes
Carton Qty: 12



MUV-RBP
Rear Mounting Bracket (Plastic)
For 9"/10"/12" sizes
Carton Qty: 8 (4 right hand;
4 left hand)

Note: MuV+HD and MuV+34HD Face-Frame applications must be blocked out.

MUV-124

Slide Drill Jig
Works with all MuV+
Undermount slides
Carton Qty: 1

