

Medium-Duty

75 lb. Load Class

Max. Drawer Material: 5/8"



GS2070 Soft-Closing Undermount Drawer Slides

- Two dimensional front release lever adjustment. Height and side-to-side.
- Compatible with 1/2" to 5/8" drawer box material thickness

Applications

- Wood residential and commercial furniture
- Drawers requiring concealed slides or soft-close feature

Specifications

Model: GS2070 Full Extension Soft-Close Undermount Drawer Slide

Drawer Material Thickness: 1/2" to 5/8"

Module: Soft-Close

Mounting: Undermount

Disconnect: Lever Release

Hole Pattern: 32mm

Face-Frame Mounting: Yes

Type: Roller Bearing

Travel: Full Extension

Finish: Zinc

Length: 9", 12", 15", 18", 21"

Height: 1.87" [47.6mm]

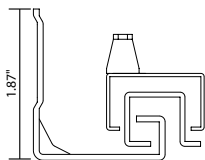
Release Levers: 2070-2D-RL: Up/Down and Side-to-Side Adjustment.

Action: Telescopic

Slide Configuration: Handed

Packaging: Bulk Pack: 6 pair per carton - 9", 12", 15", 18", 21"

Profile



Material Thickness

GS2070: 1/2" to 5/8"

Rating

Load: 75 lb.

As with all Knap & Vogt drawer slides, the KV GS2070 is designed to meet or exceed ANSI performance standards as established by BIFMA, BHMA and KCMA.

Accessories

2070-RBM: Rear Mounting Bracket (Metal). Can be used on all slide lengths. 60 pcs per ctn.

2070-RBP: Rear Mounting Bracket (Plastic). Can be used on all slide lengths. 60 pcs per ctn.

Hardware

Slide Fasteners: #7 x 5/8" Flat Head

Release Levers: #7 x 3/4" Flat Head

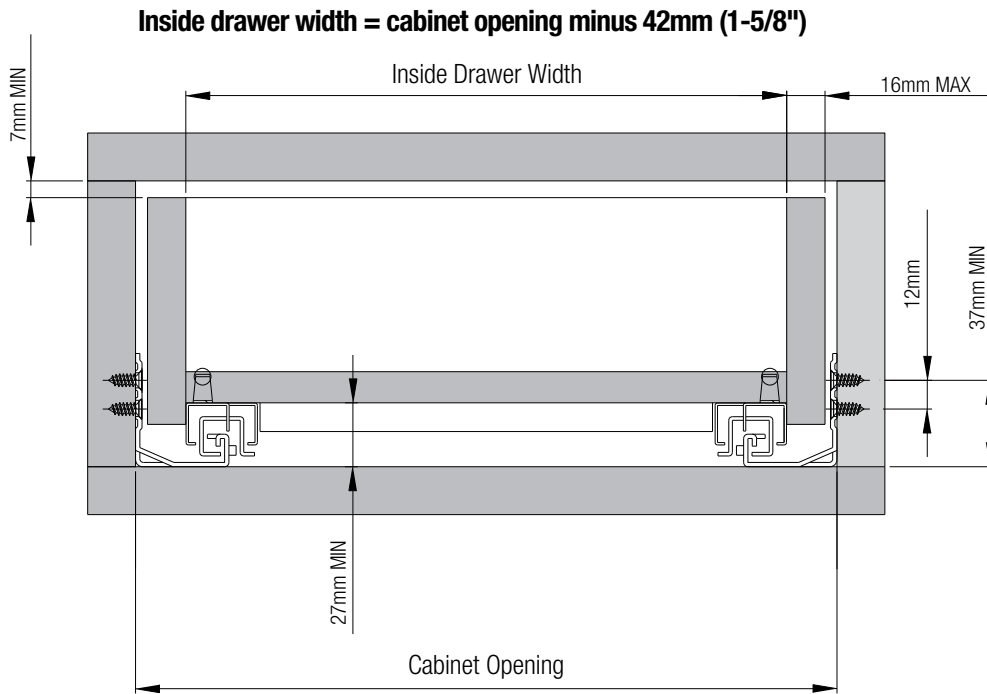
Warranty

Limited Lifetime Warranty

Slide Part #	Nominal Length	Carton Quantity
KVGS-2070B 9	9" [229mm]	6 pair
KVGS-2070B 12	12" [305mm]	6 pair
KVGS-2070B 15	15" [381mm]	6 pair
KVGS-2070B 18	18" [457mm]	6 pair
KVGS-2070B 21	21" [533mm]	6 pair
Release Lever Part #	Adjustment	Carton Quantity
2070-2D-RL	Height: +3mm Side: ± 1.5mm	30 pair (1 pr. bag)
Rear Brackets Part #	Material	Carton Quantity
2070-RBM	Metal	60
2070-RBP	Plastic with dowels	60

Technical Information

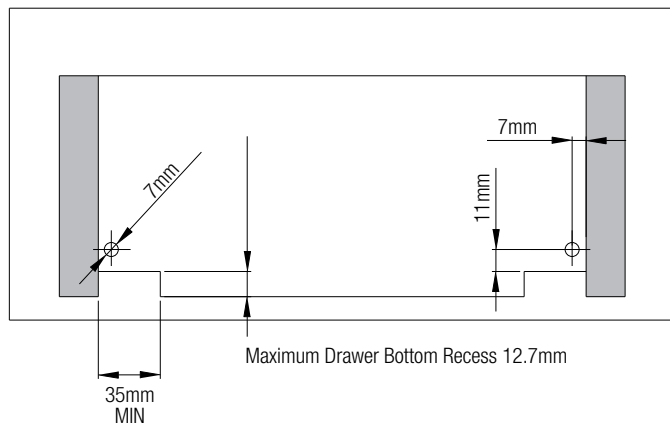
Drawer Dimensions



Outside Drawer Width Calculation

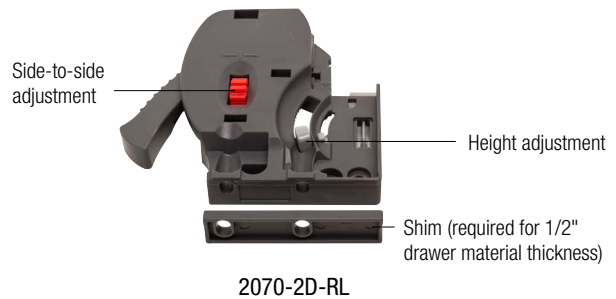
Drawer Thickness	Deduct from Opening Width
5/8" [16mm]	3/8" [10mm]
9/16" [14mm]	9/16" [14mm]
1/2" [13mm]	5/8" [16mm]

Drawer Notch & Bore

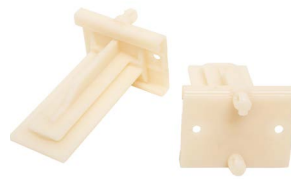


Release Lever Adjustment

Part Number	Height	Side-to-Side
2070-2D-RL	+ 1/8" [3mm]	± 1/16" [1.5mm]



2070-RBM
Rear Mounting Bracket (Metal)
Carton Qty: 60 pcs.



2070-RBP
Rear Mounting Bracket (Plastic) with Dowels
Carton Qty: 60 pcs.

