



**GSlide™**  
2070 Series

# Soft-Close Undermount Drawer Slide

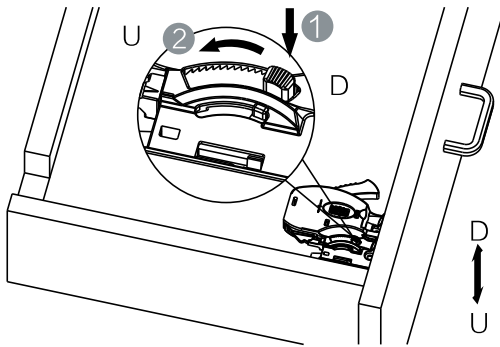
## SPECIFICATIONS

- Number:** KV GSlide Soft-Close Undermount Drawer Slide
- Mounting:** Side, for Frame or Frameless Construction
- Height:** 1-7/8"
- Load Rating:** 75-Pound Class
- Finish:** Zinc
- Travel:** Full Extension
- Maximum Material Thickness:** 5/8" (16mm)
- Height Adjustment:** 1/8" (+3mm)
- Side Adjustment:** 1/16" (+/-1.5mm)
- Sizes:** 9", 12", 15", 18", 21"
- Packaged:** Bulk (B): 6 Pairs per Carton
- Slide Fasteners:** #7 x 5/8" Flat Head Screw
- Release Levers:** #7 x 3/4" Flat Head Screw

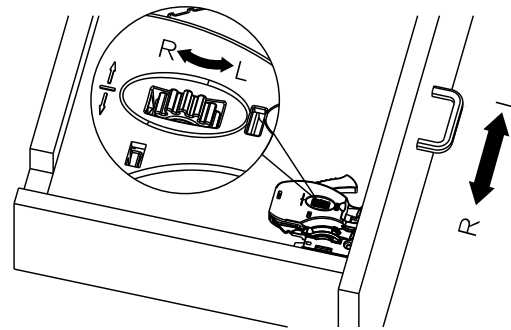
Slide Part #	Nominal Length	Carton Quantity
<b>KVGS-2070B 9</b>	9" [229mm]	6 pair
<b>KVGS-2070B 12</b>	12" [305mm]	6 pair
<b>KVGS-2070B 15</b>	15" [381mm]	6 pair
<b>KVGS-2070B 18</b>	18" [457mm]	6 pair
<b>KVGS-2070B 21</b>	21" [533mm]	6 pair
Release Lever Part #	Adjustment	Carton Quantity
<b>2070-2D-RL</b>	Height: +3mm Side: ± 1.5mm	30 pair (1 pr. bag)
Rear Brackets Part #	Material	Carton Quantity
<b>2070-RBM</b>	Metal	60
<b>2070-RBP</b>	Plastic with dowels	60

## RELEASE LEVER ADJUSTMENT

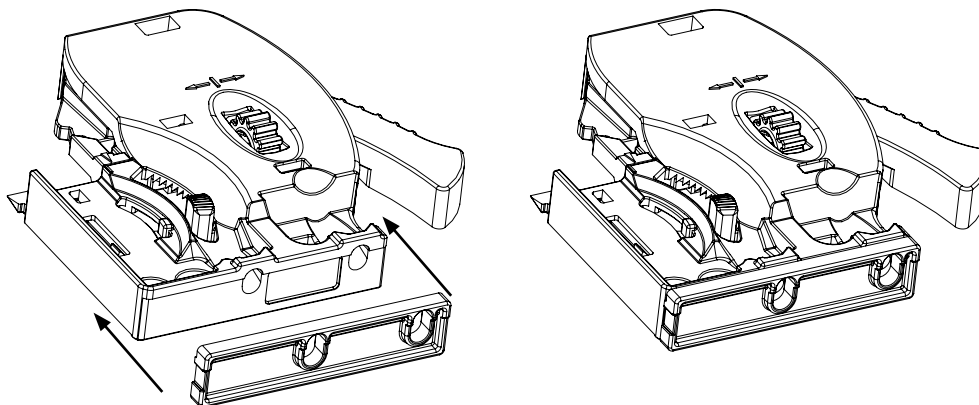
### HEIGHT ADJUSTMENT +3MM



### SIDE-TO-SIDE ADJUSTMENT ±1.5MM



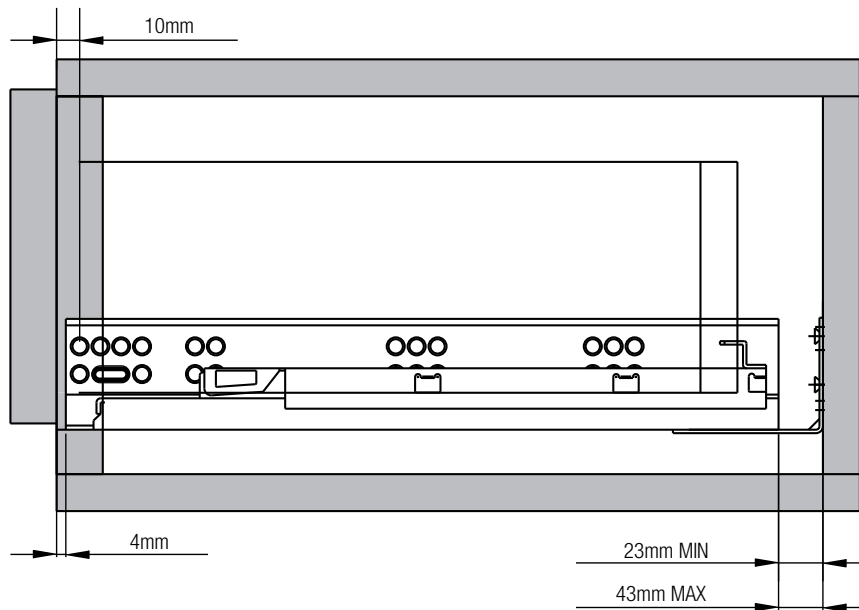
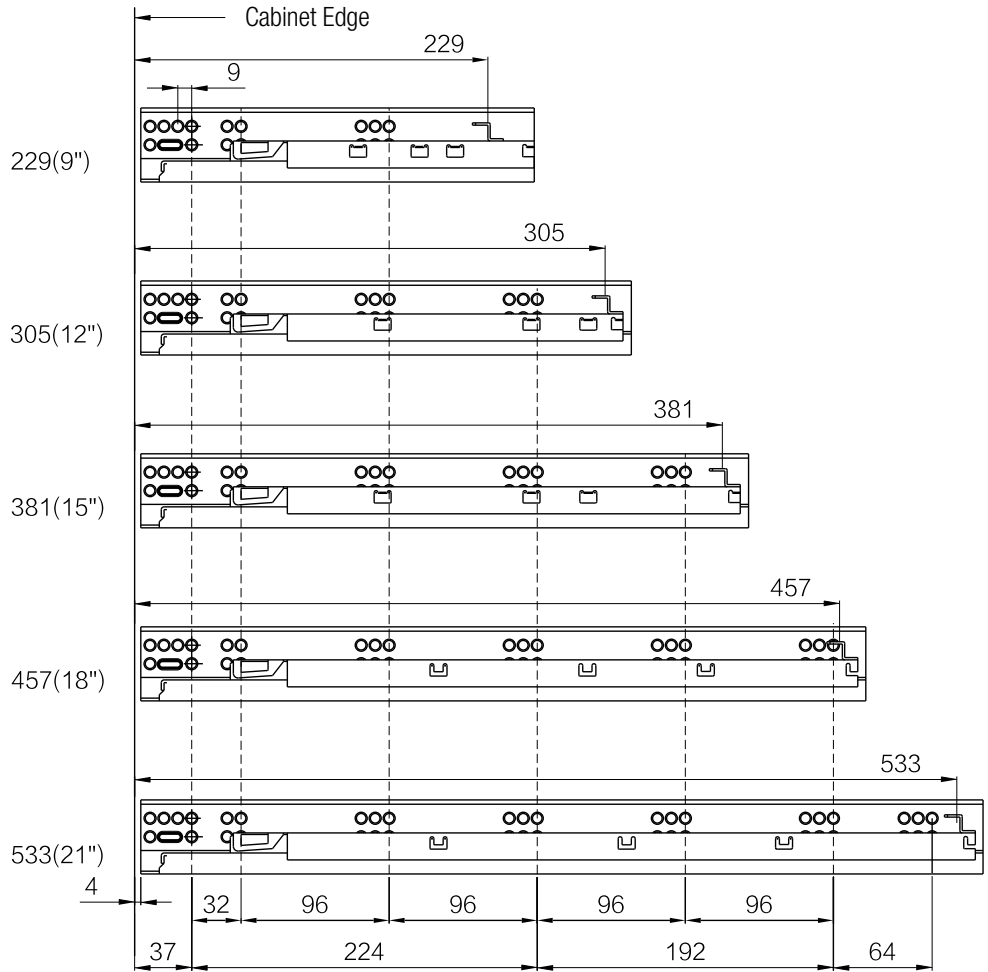
## RELEASE LEVER SHIM



Release lever shim required for 1/2" drawer material thickness. Included with release levers.

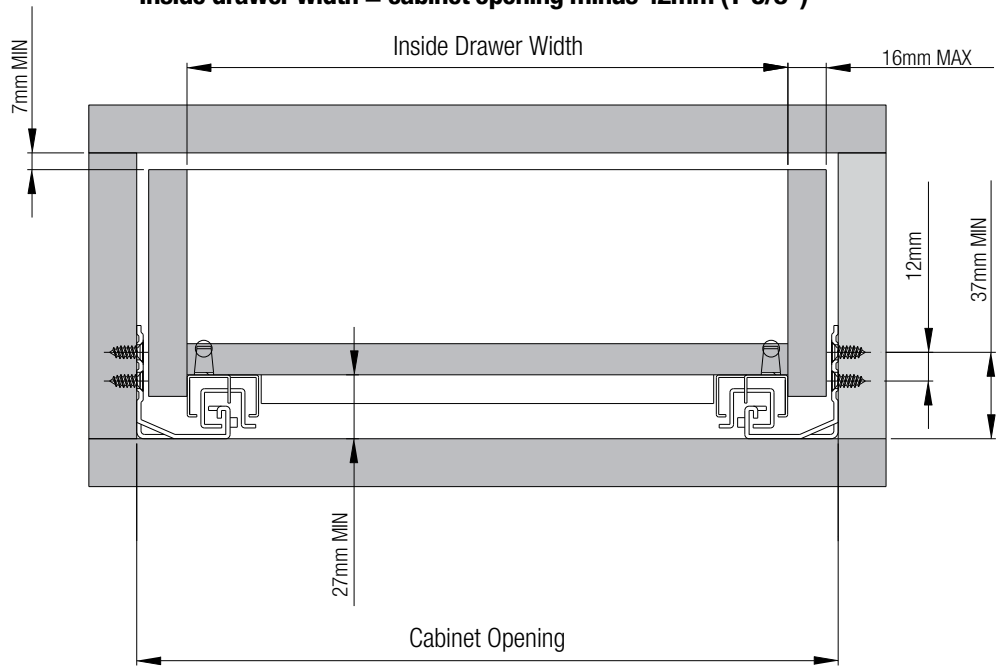
## MOUNTING SPECIFICATIONS

Part #	Set Back	Drawer Length	Slide Length
KVGS-2070B 9	5/32" (4mm)	9" (229mm)	10.12" (257mm)
KVGS-2070B 12	5/32" (4mm)	12" (305mm)	12.56" (319mm)
KVGS-2070B 15	5/32" (4mm)	15" (381mm)	15.32" (389mm)
KVGS-2070B 18	5/32" (4mm)	18" (457mm)	18.31" (465mm)
KVGS-2070B 21	5/32" (4mm)	21" (533mm)	21.30" (541mm)



**DRAWER DIMENSIONS**

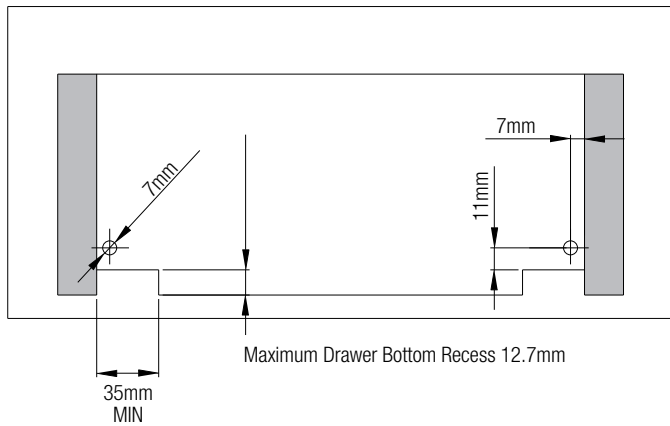
Inside drawer width = cabinet opening minus 42mm (1-5/8")



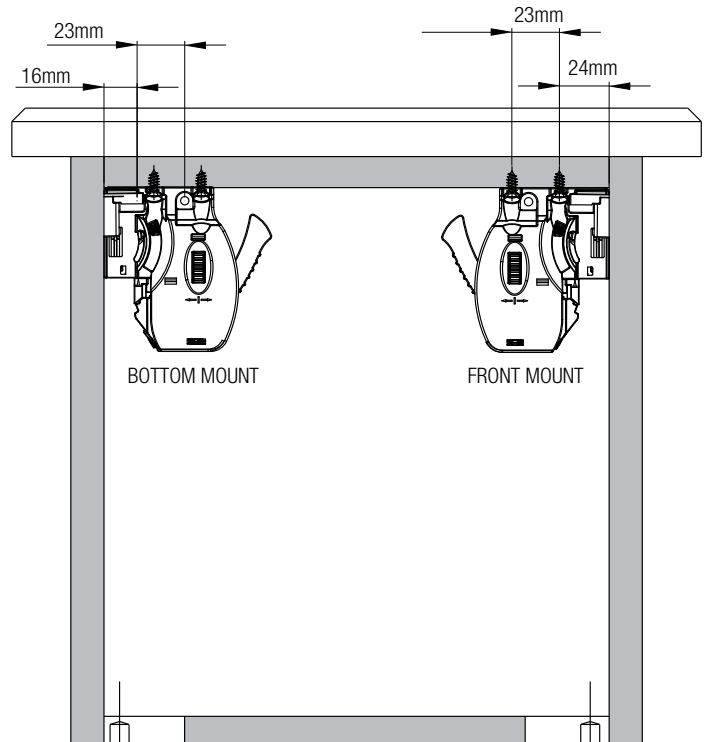
**Outside Drawer Width Calculation**

Drawer Thickness	Deduct from Opening Width
5/8" [16mm]	3/8" [10mm]
9/16" [14mm]	9/16" [14mm]
1/2" [13mm]	5/8" [16mm]

**REAR NOTCH**

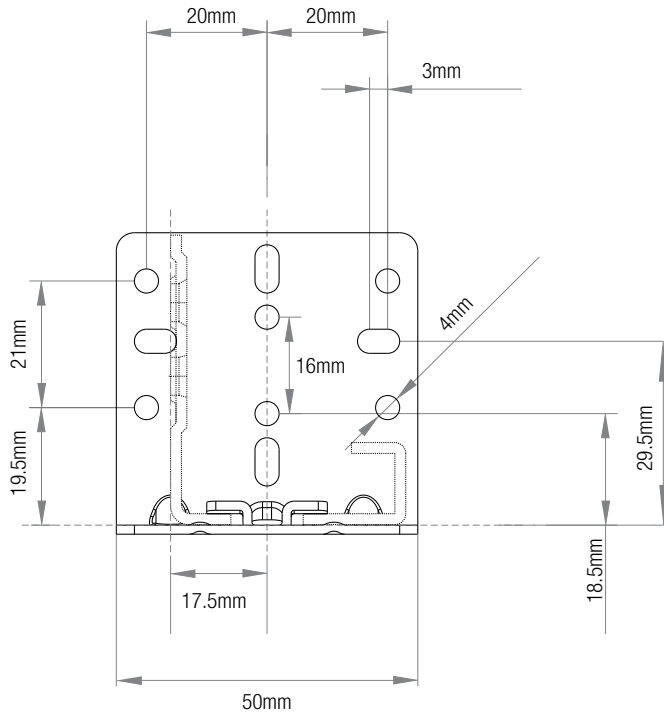


**RELEASE LEVER**



## REAR BRACKETS

### METAL REAR BRACKET



### PLASTIC REAR BRACKET

