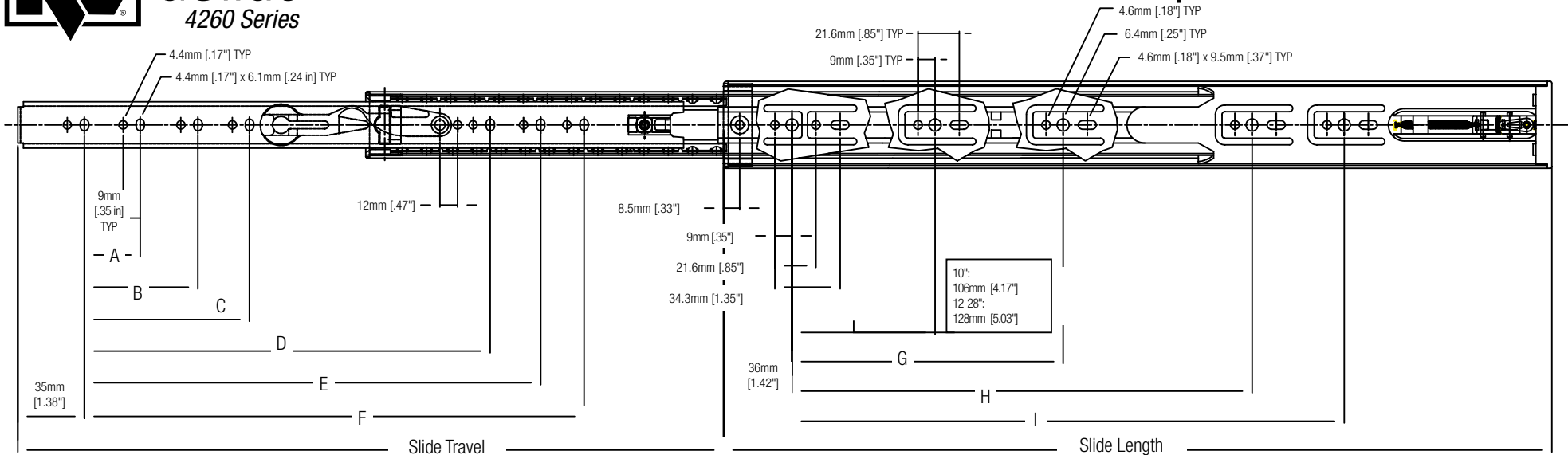




GSlide™
4260 Series

kitchensource.com
1.800.667.8721

GS4260 Push-Open Drawer Slide

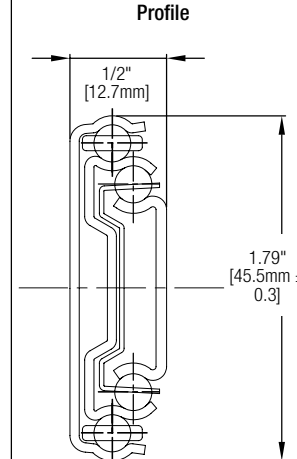
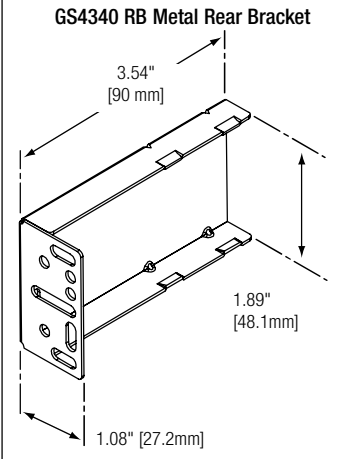


Part Number	Size	Slide Length	Slide Travel	A	B	C	D	E	F	G	H	I
GS4260 10	10"	250mm [9.84"]	238mm [9.37"]	—	—	—	—	—	156mm [6.14"]	—	—	—
GS4260 12	12"	300mm [11.8"]	305mm [12.00"]	—	—	—	—	—	200mm [7.87"]	—	—	—
GS4260 14	14"	350mm [13.78"]	356mm [14.0"]	96mm [3.78"]	—	—	—	—	256mm [10.08"]	192mm [7.56"]	—	—
GS4260 16	16"	400mm [15.75"]	406mm [15.98"]	128mm [5.04"]	—	—	—	—	294mm [11.57"]	224mm [8.82"]	—	—
GS4260 18	18"	450mm [17.72"]	457mm [17.99"]	96mm [3.78"]	160mm [6.29"]	—	—	—	344mm [13.54"]	288mm [11.34"]	—	—
GS4260 20	20"	500mm [19.69"]	508mm [20.00"]	96mm [3.78"]	160mm [6.29"]	352mm [13.86"]	—	—	394mm [15.51"]	224mm [8.82"]	352mm [13.86"]	—
GS4260 22	22"	550mm [21.65"]	559mm [22.00"]	128mm [5.04"]	192mm [7.56"]	384mm [15.11"]	—	—	444mm [17.48"]	224mm [8.82"]	352mm [13.86"]	—
GS4260 24	24"	600mm [23.62"]	610mm [24.00"]	128mm [5.04"]	224mm [8.82"]	416mm [16.38"]	—	—	494mm [19.45"]	224mm [8.82"]	352mm [13.86"]	448mm [17.64"]
GS4260 26	26"	650mm [25.59"]	660mm [25.79"]	128mm [5.04"]	224mm [8.82"]	416mm [16.38"]	480mm [18.90"]	—	544mm [21.42"]	224mm [8.82"]	352mm [13.86"]	480mm [18.90"]
GS4260 28	28"	700mm [27.55"]	711mm [27.99"]	128mm [5.04"]	224mm [8.82"]	288mm [11.33"]	480mm [18.90"]	544mm [21.42"]	594mm [23.39"]	224mm [8.82"]	352mm [13.86"]	544mm [21.42"]

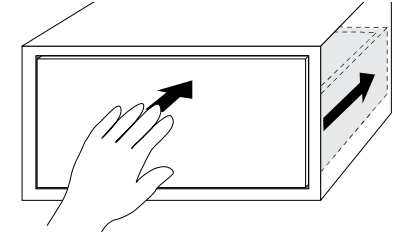
Product: GS4260 Push-Open Drawer Slide
Mounting: Side
Clearance: 1/2" [12.7mm +.8mm minus 0]
Load Class: 100 lb.
Height: 1.79" [45.5mm (±0.3)]
Finish: Zinc Plated
Action: Full Extension (sizes: 12"—28")
Sizes: 10" [250mm], 12" [300mm], 14" [350mm], 16" [400mm], 18" [450mm], 20" [500mm], 22" [550mm], 24" [600mm], 26" [650mm], 28" [700mm]

Max. Recommended Drawer Width: 24"
Packaging: 10 Pair and 1 set of instructions per box
 Mounting hardware not included
 Slides are unhandred

Optional Brackets: GS4340 RB Metal Rear Bracket
 Packed 200 pieces per box



Inset Drawer
 Push in 2 mm and release to activate push-to-open mechanism.



Overlay Drawer
 Allow a minimum of 4mm ±.5mm clearance between drawer front and cabinet to provide enough space to activate push-to-open mechanism.

