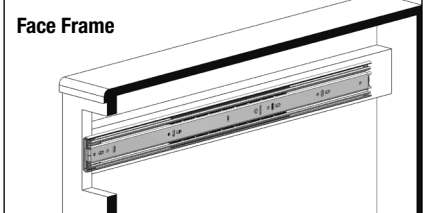
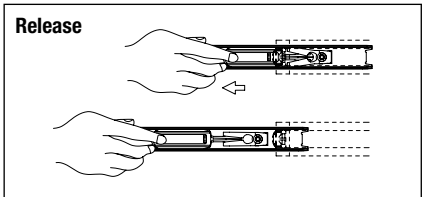
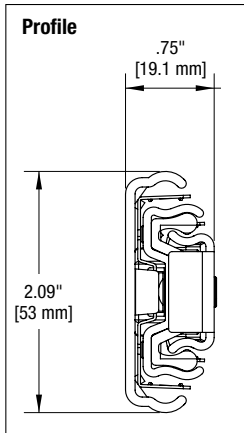
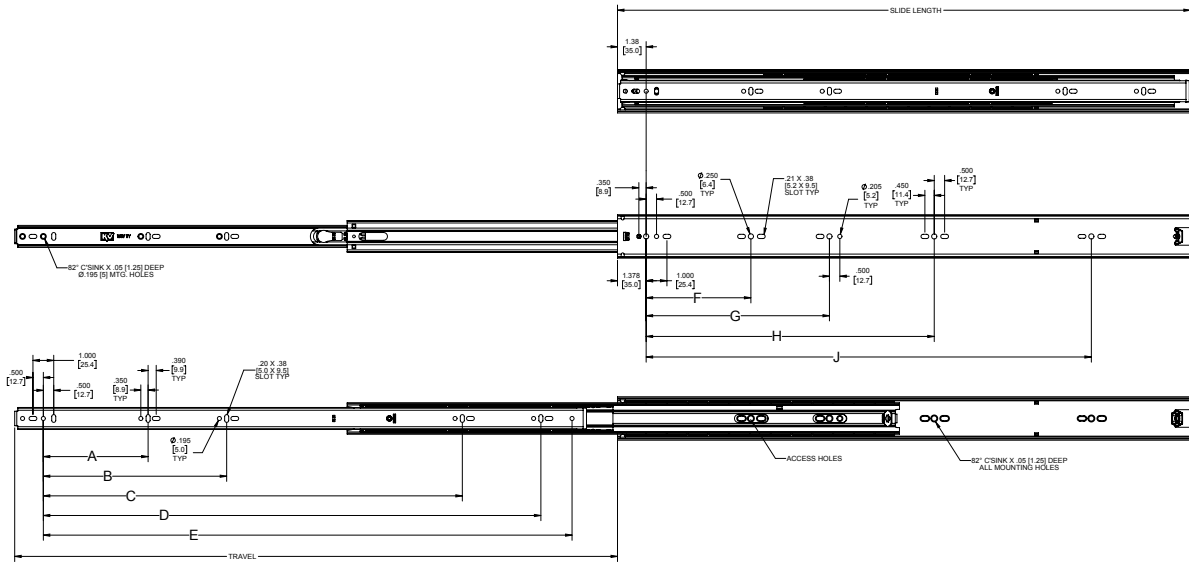




8815 Over Travel Ball-Bearing Heavy-Duty Drawer Slide



SKU Number	Slide Size inch/mm	Length inch/mm	Travel inch/mm	A inch/mm	B inch/mm	C inch/mm	D inch/mm	E inch/mm	F inch/mm	G Inch/mm	H Inch/mm	I Inch/mm
8815B 12	12" [300mm]	11.81" [300mm]	13" [330mm]	-	-	-	-	9.13" [232mm]	5.04" [128mm]	8.82" [224mm]	-	-
8815B 14	14" [350mm]	13.78" [350mm]	15" [381mm]	-	-	-	-	11.34" [288mm]	6.30" [160mm]	8.82" [224mm]	-	-
8815B 16	16" [400mm]	15.75" [400mm]	17" [432mm]	5.04" [128mm]	-	-	-	12.60" [320mm]	-	8.82" [224mm]	12.60" [320mm]	-
8815B 18	18" [450mm]	17.72" [450mm]	19" [483mm]	5.04" [128mm]	-	-	13.86" [352mm]	-	5.04" [128mm]	8.82" [224mm]	13.86" [352mm]	-
8815B 20	20" [500mm]	19.69" [500mm]	21" [533mm]	5.04" [128mm]	-	-	15.12" [384mm]	-	5.04" [128mm]	8.82" [224mm]	-	16.38" [416mm]
8815B 22	22" [550mm]	21.65" [550mm]	23" [584mm]	5.04" [128mm]	-	-	16.38" [416mm]	-	5.04" [128mm]	10.08" [256mm]	13.86" [352mm]	17.64" [448mm]
8815B 24	24" [600mm]	23.62" [600mm]	25" [635mm]	5.04" [128mm]	8.82" [224mm]	16.38" [416mm]	20.16" [512mm]	-	5.04" [128mm]	-	13.86" [352mm]	18.90" [480mm]
8815B 26	26" [650mm]	25.59" [650mm]	27" [686mm]	5.04" [128mm]	8.82" [224mm]	-	20.16" [512mm]	-	5.04" [128mm]	8.82" [224mm]	13.86" [352mm]	21.42" [544mm]
8815B 28	28" [700mm]	27.56" [700mm]	29" [737mm]	5.04" [128mm]	8.82" [224mm]	20.16" [512mm]	23.94" [608mm]	-	5.04" [128mm]	8.82" [224mm]	13.86" [352mm]	21.42" [544mm]

Model: 8815 Over Travel Drawer Slide
Load Rating: 190 lb.
Type: Ball-Bearing, Telescopic
Travel: Over Travel
Mounting: Side
Disconnect: Butterfly Lever Release
Slide Configuration: Unhanded
Hole Pattern: 32mm and Traditional
Face Frame Mounting: Requires slide to be blocked out. See Face Frame diagram.
Height: 2.09" [53mm]
Clearance: .75" + .03"- 0" on each side
Finish: Zinc
Length: 12", 14", 16", 18", 20", 22", 24", 26", 28"
Packaging: Bulk Pack (8815B): all sizes - 4 pair per carton
Fastener: #8 or #10 x 5/8" Phillips Flathead (fasteners not included)