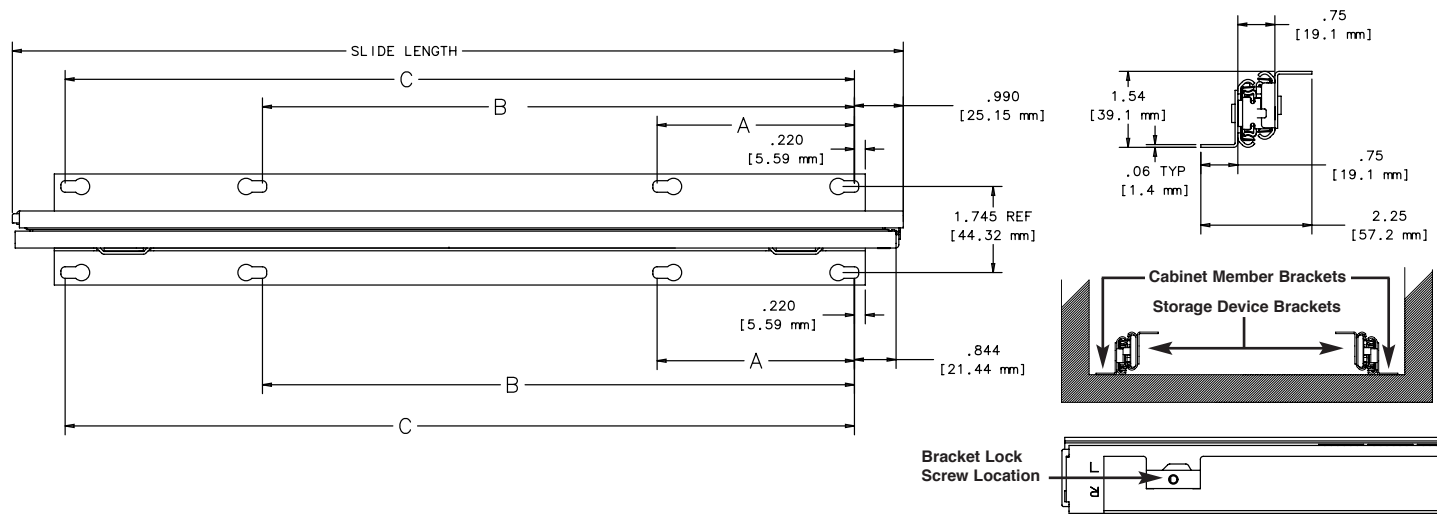
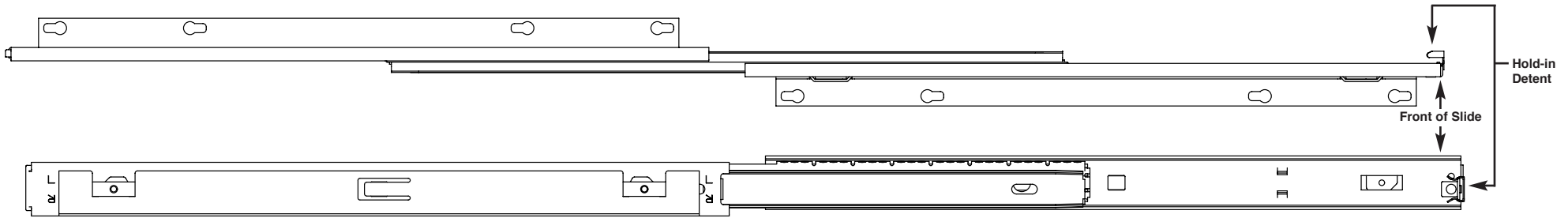
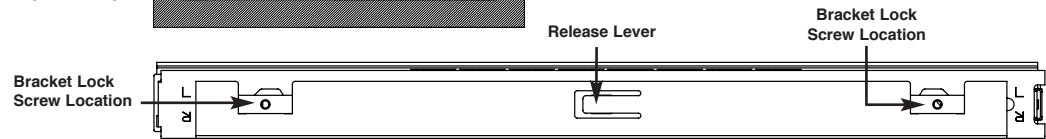
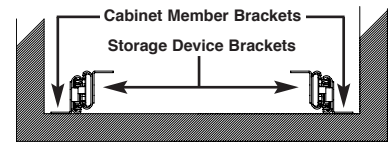




8000 Undermount Storage Slide w/Overtravel



Slide Length	Slide Travel	A	B	C
12.00	12.83	4.00	6.00	10.00
14.00	14.83	4.00	8.00	12.00
16.00	16.83	4.00	10.00	14.00
18.00	18.83	4.00	12.00	16.00
20.00	20.83	7.00	11.00	18.00
22.00	22.83	7.00	13.00	20.00
24.00	24.83	7.00	15.00	22.00
26.00	26.83	7.00	17.00	24.00
28.00	28.83	7.00	19.00	26.00



- Product:** Undermount Storage Slide
- Mounting:** Bracket
- Clearance:** .75" Slide Only
2.25" with Brackets
- Load Rating:** 130-Pound Class
- Height:** 1.54"
- Finish:** Anochrome
- Travel:** Slide Length Plus 0.83"
- Action:** Telescopic
- Hardware:** All mounting hardware included. (16 - #8 x 5/8 pan head mounting screws & 8 - 8 x 3/16 pan head bracket locking screws.)
- Sizes:** 12", 14", 16", 18", 20", 22", 24", 26", 28"
- Packaging:** Poly pack (8000P):
All Sizes.....5 pair per carton

INSTALLATION INSTRUCTIONS

- When installing the KV® 8000 slide, it is recommended that both the right and left cabinet member brackets be installed first. When this is done the slides can be attached to the cabinet member brackets with the hold-in detent facing forward (figure 1).**
- The remaining two brackets can be attached to the storage device and set into place on the slides. When unit is completely installed it is recommended that the eight bracket locking screws be installed.**
1. Mark a line at least 1/4" in from the right side of the cabinet opening and parallel to the cabinet side.
 2. Locate a point on this line 1.00" back from the desired front of the slide.
 3. Using #8 pan or round head screws, mount the cabinet member bracket through the first hole at this point.
NOTE: For maximum strength, ensure that the hold-in bumper is installed at the front of the drawer.
 4. Mount the left hand slide similarly, locating the screw centerline of the cabinet member bracket at least 1/4" in from the left side of the opening.
 5. Keeping the right and left hand slides parallel, install the remainder of the cabinet member screws.
NOTE: When using soft materials, such as particle board, replace rear cabinet mounting screws with through bolts.
 6. Attach the slides to the right and left cabinet member brackets by sliding the bracket tabs through the belt loops located on the side of the slide. The bracket release lever will snap into place.
 7. Attach the two remaining two brackets to storage device. When this is done the storage device can be installed onto the slides.
 8. Attach the 8 bracket locking screws to secure the unit.