

Light-Duty

65 lb. Load Class

1/2" Side Clearance

Max. Drawer Width: 24"



4400 Full Extension Low Profile Drawer Slide

The 4400 Full Extension Low Profile Drawer Slide is designed to accommodate lighter and shallower low height drawers for home and commercial applications.

Applications

- Wood residential and commercial furniture
- Lighter weight applications
- Short drawer height applications

Specifications

Model: 4400 Low Profile Full Extension Drawer Slide

Mounting: Side

Disconnect: Lever

Hole Pattern: 32mm and Traditional

Face Frame Mounting: Yes

Type: Ball-Bearing

Travel: Full Extension

Finish: Zinc Plated

Length: 10", 12", 14", 16", 18", 20", 22", 24", 26", 28"

Clearance: .50" + .03"- 0" on each side

Height: 1.42" [36mm]

Packaging: Bulk Pack (4400B): all sizes - 10 pair per carton

Action: Telescopic

Slide Configuration: Unhanded

Rating

Load: 65 lb.

Max. Drawer Width: 24"

As with all Knap & Vogt drawer slides, the 4400 is designed to meet or exceed ANSI performance standards as established by BIFMA, BHMA and KCMA.

Accessories

4101B: Rear Mounting Bracket

4104B: Front Face Frame Bracket

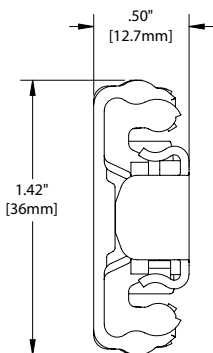
Hardware

#7 x 1/2" Phillips Pan Head

Warranty

Limited Lifetime Warranty

Profile



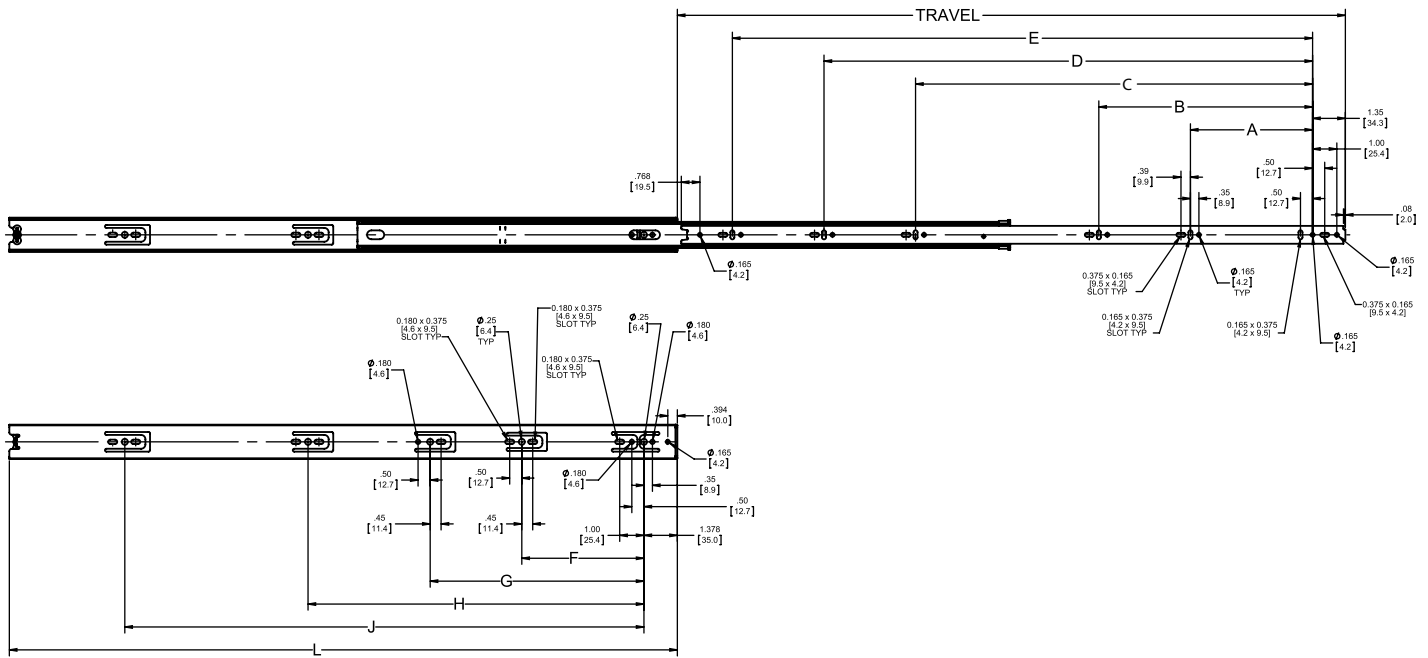
Clearance

1/2" + 1/32"- 0"

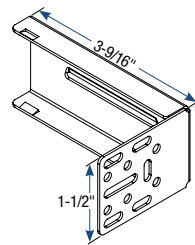
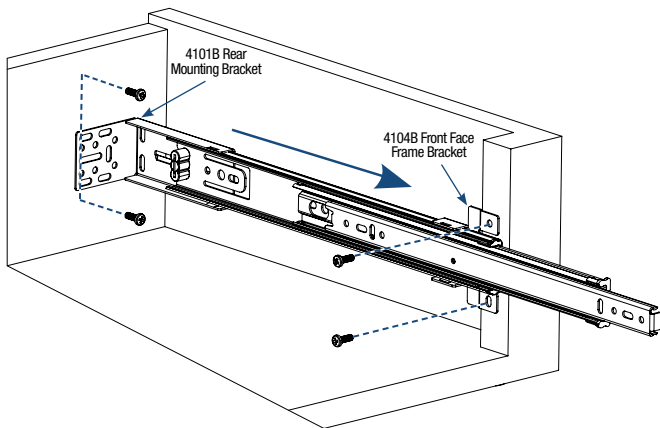
.50" + .03"- 0"

12.7mm + .8mm - 0mm

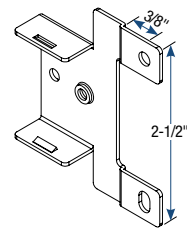
Charted Information



SKU Number	Slide Size inch/mm	Length inch/mm	Travel inch/mm	A inch/mm	B inch/mm	C inch/mm	D inch/mm	E inch/mm	F inch/mm	G Inch/mm	H Inch/mm	J Inch/mm
4400B 10	10" [250mm]	9.84" [250mm]	9.84" [250mm]	-	-	-	-	6.30" [160]	5.04" [128mm]	8.82" [224mm]	-	-
4400B 12	12" [300mm]	11.81" [300mm]	11.81" [300mm]	-	-	-	-	8.82" [224mm]	5.04" [128mm]	8.82" [224mm]	-	-
4400B 14	14" [350mm]	13.78" [350mm]	13.78" [350mm]	5.04" [128mm]	-	-	-	10.08" [256mm]	5.04" [128mm]	8.82" [224mm]	-	-
4400B 16	16" [400mm]	15.75" [400mm]	15.75" [400mm]	5.04" [128mm]	-	-	-	11.34" [288mm]	5.04" [128mm]	8.82" [224mm]	12.60" [320mm]	-
4400B 18	18" [450mm]	17.72" [450mm]	17.72" [450mm]	5.04" [128mm]	-	-	-	12.60" [320mm]	5.04" [128mm]	8.82" [224mm]	13.86" [352mm]	-
4400B 20	20" [500mm]	19.69" [500mm]	19.69" [500mm]	5.04" [128mm]	12.60" [320mm]	-	-	16.38" [416mm]	5.04" [128mm]	8.82" [224mm]	16.38" [416mm]	-
4400B 22	22" [550mm]	21.65" [550mm]	21.65" [550mm]	5.04" [128mm]	12.60" [320mm]	-	-	16.38" [416mm]	5.04" [128mm]	8.82" [224mm]	13.86" [352mm]	17.64" [448mm]
4400B 24	24" [600mm]	23.62" [600mm]	23.62" [600mm]	5.04" [128mm]	8.82" [224mm]	16.38" [416mm]	-	20.16" [512mm]	5.04" [128mm]	8.82" [224mm]	13.86" [352mm]	18.90" [480mm]
4400B 26	26" [650mm]	25.59" [650mm]	25.59" [650mm]	5.04" [128mm]	8.82" [224mm]	16.38" [416mm]	-	20.16" [512mm]	5.04" [128mm]	8.82" [224mm]	13.86" [352mm]	21.42" [544mm]
4400B 28	28" [700mm]	27.56" [700mm]	27.56" [700mm]	5.04" [128mm]	8.82" [224mm]	16.38" [416mm]	20.16" [512mm]	23.94" [608mm]	5.04" [128mm]	8.82" [224mm]	13.86" [352mm]	21.42" [544mm]



4101B Rear
Mounting Bracket



4104B Front
Face Frame Bracket

The 4400 Drawer slide is designed for applications in the 65 pound class with maximum drawer width of 24". Slides are tested to meet or ANSI performance standards as established by BIFMA, KCMA and BHMA.

Knap & Vogt reserves the right to change product specifications at any time without notice and without incurring responsibility for existing units.

©2015 Knap & Vogt. KV and the KV logo are trademarks of Knap & Vogt.