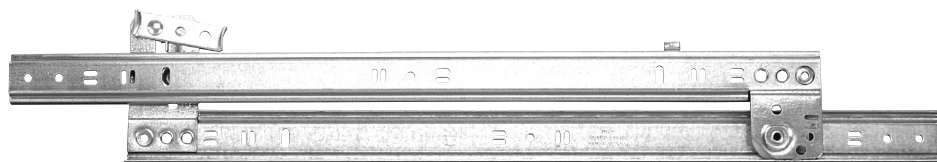


# 1260, 1265 3/4 Extension Drawer Slides

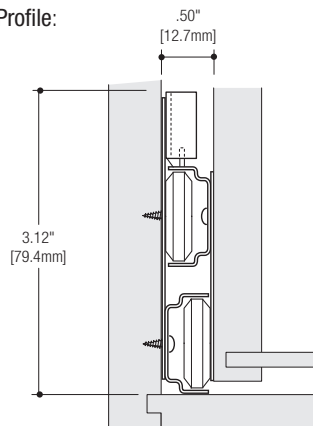


## Features

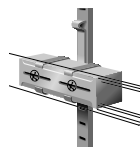
- Positive stop
- Rollers operate on ball-bearings
- Lever disconnect
- Recommended maximum drawer width 18"

1260: 3/4 extension slide  
 1265: 3/4 extension V-Notch wrap around drawer slide  
**Mounting:** Side  
**Action:** Ball-bearing rollers  
**Load Rating:** 60 lb. class  
**Height:** 3.12" [79.4mm]  
**Clearance:** .50" + .03" - 0" on each side  
**Finish:** Almond (ALM), Brown (BRN), Zinc (ZC)

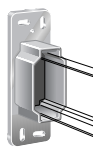
### Profile:



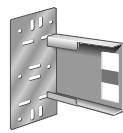
## Mounting Brackets



**1303**  
Vertically Adjustable  
Side-Mounting Bracket



**1123 PLAS**  
Plastic Rear  
Mounting Bracket



**1304**  
Metal Rear  
Mounting Bracket

Product	Pack
1303	100 per carton
1123 PLAS	500 per carton
1304	100 per carton

## Configurations

Bulk (B)	10 pairs per carton without screws	
Poly (P)	1 pair per bag with screws; 10 pairs per carton	
Quantity (Q)	50 pairs per carton without screws; multiple cartons	
<b>1260 Brown (BRN) Finish</b>		
<b>Size</b>	<b>Bulk (B)</b>	<b>Poly (P)</b>
12"	1260B BRN 12	–
14"	1260B BRN 14	–
16"	1260B BRN 16	–
18"	1260B BRN 18	–
20"	1260B BRN 20	–
22"	1260B BRN 22	–
24"	1260B BRN 24	–
<b>1260 Zinc (ZC) Finish</b>		
12"	1260B 12	1260P 12
14"	1260B 14	1260P 14
16"	1260B 16	1260P 16
18"	1260B 18	1260P 18
20"	1260B 20	1260P 20
22"	1260B 22	1260P 22
24"	1260B 24	1260P 24
<b>1260 Combinations</b>		
<b>Size</b>	<b>Product</b>	<b>Finish</b>
18" x 19-3/4"	1260BSW18001975	Zinc (ZC)
18" x 20"	1260BSW18002000	Zinc (ZC)
18" x 22-3/4"	1260BSW20002275	Zinc (ZC)
18" x 20"	1260K ALM 18X20	Almond (ALM)
18" x 20"	1260K BRN 18X20	Brown (BRN)
18" x 22-3/4"	1260KBN2022-3/4	Brown (BRN)
<b>1265 Slides Quantity (Q) Pack</b>		
<b>Size</b>	<b>1265 Zinc (ZC)</b>	–
12"	1265 ZC 12	–
14"	1265 ZC 14	–
16"	1265 ZC 16	–
18"	1265 ZC 18	–
20"	1265 ZC 20	–
22"	1265 ZC 22	–
24"	1265 ZC 24	–

Recommended Fasteners	KV Part	Finish	Qty
#7 x 3/32" Phillips Pan Head	1300-83	Zinc (ZC)	1000

■ Non-stock item – minimum order quantities and additional lead time may apply.

- Optional bracket used with pilaster strips (KV# 255, 233) mounted within the cabinet.
- Allows slide to be adjusted vertically when changes in drawer height are necessary.
- For use with combination length slides.