

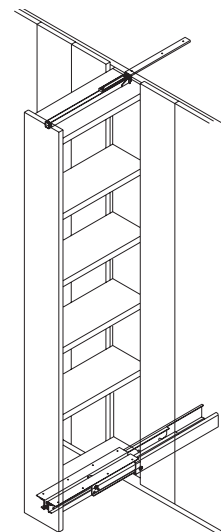
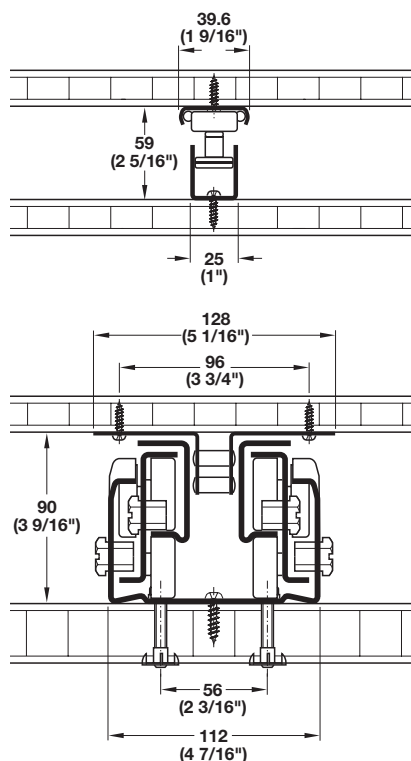
Partial Extension

Weight capacity including cabinet and useful load: 200 kg (440 lbs.)

- Good running characteristics and quietness due to integrated differential action
- All stops are made of plastic
- Patented profile shapes prevent rubbing noises
- Easy running due to high quality steel ball bearings
- Rear stop

Note

The running tracks of these guides should not be lubricated.



8



Top/Bottom Mounted

- For Floor mounting
- Partial extension
- Ceiling guide for lateral stability
- U-profile is closed on one end to function as an end stop for the guide roller

Material: Guides: Steel, epoxy-coated; Color: white
Rollers: Steel, Polyamide

Installed length	Extension length	Item No.
400 (15 3/4")	384 (15 1/8")	421.50.741
450 (17 3/4")	434 (17 1/16")	421.50.746
500 (19 5/8")	484 (19 1/16")	421.50.751
550 (21 5/8")	534 (21 1/16")	421.50.756
600 (23 5/8")	584 (23")	421.50.761
650 (25 1/2")	634 (24 15/16")	421.50.766
700 (27 9/16")	684 (26 15/16")	421.50.771
750 (29 1/2")	734 (28 7/8")	421.50.776
800 (31 1/2")	784 (30 7/8")	421.50.781
850 (33 1/2")	834 (32 13/16")	421.50.786
900 (35 3/8")	884 (34 13/16")	421.50.791
950 (37 3/8")	934 (36 3/4")	421.50.796
1000 (39 3/8")	984 (38 3/4")	421.50.801
1100 (43 5/16")	1084 (42 11/16")	421.50.811

Supplied With

- 4 Plastic coated steel ball bearing rollers
- 6 Plastic rollers
- Ball guide with rollers
- U-profile

Easy Close Mechanism

Material: Plastic

Color	Item No.
gray	421.50.000

Dimensions in mm
Inches are approximate

FC 8.96

Dimensional data not binding. We reserve the right to alter specifications without notice.