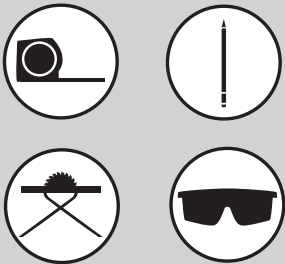




INSTALLATION INSTRUCTIONS

TRIMMABLE WOOD DRAWER INSERT

TOOLS REQUIRED:



ESTIMATED ASSEMBLY TIME:

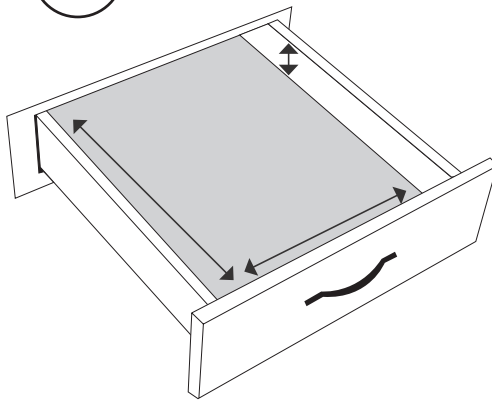
15 MIN

CARE AND MAINTENANCE:

Clean with a damp cloth and wipe parts dry.

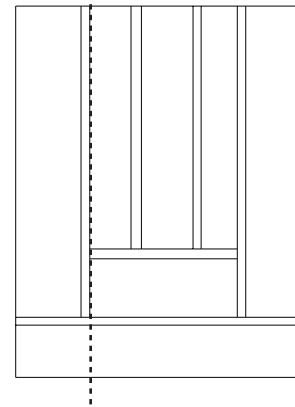
NOTE: It's recommended you use a Finishing Saw Blade on our maple and walnut finishes in order to minimize the risk of harming the finish.

1. Measure drawer opening.

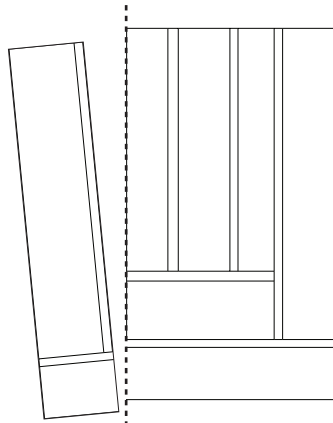
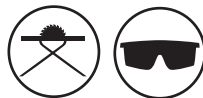


2. Measure insert and mark cutting line.

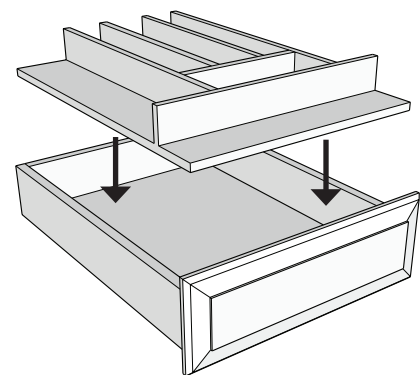
See next page for special cutting instructions



3. Cut width of insert to fit inside of drawer. Cut back of insert to fit from inside front to rear of the drawer.



4. Simply drop in drawer.

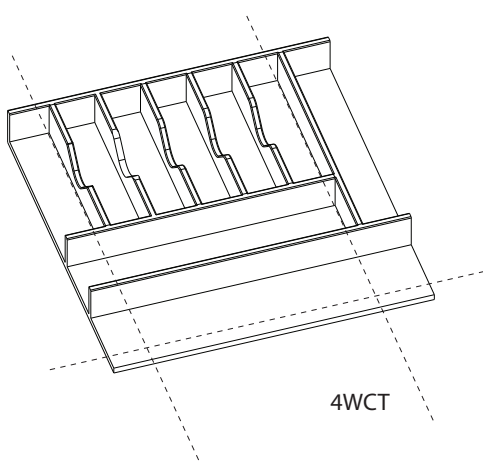


I-TRIMWDI-1115

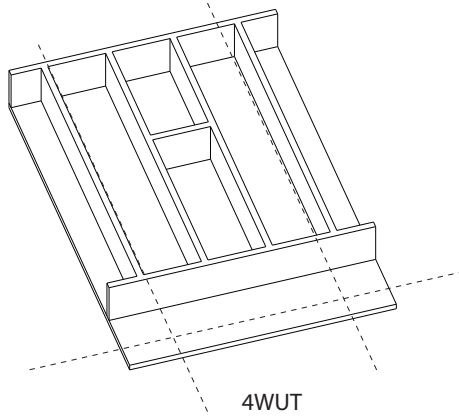
Cutting Instructions

4WCT/4WUT/4SDI

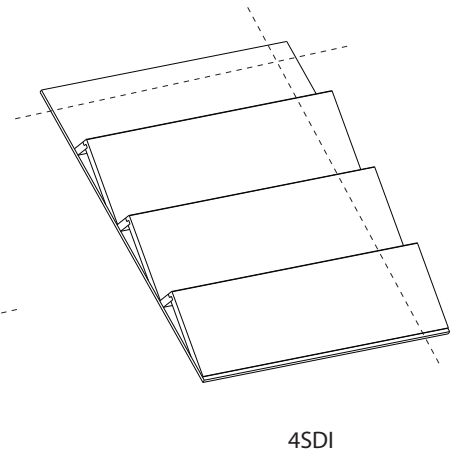
Cut width of insert to fit inside of drawer. Cut back of insert to fit from inside front to rear of the drawer. When cutting to size, remember your drawer box wall can be used as a sidewall for your organizer.



4WCT



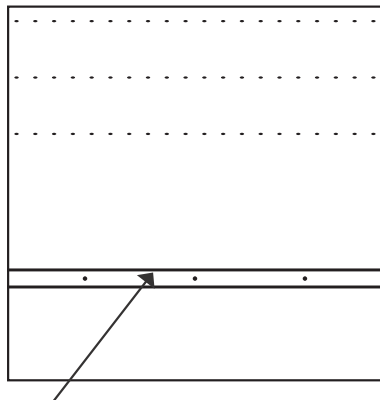
4WUT



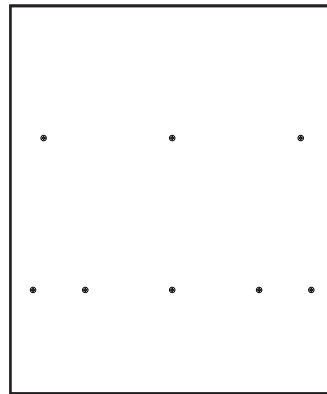
4SDI

4WKB

Flip board over and remove any screws that would be in the way of the cutting path.

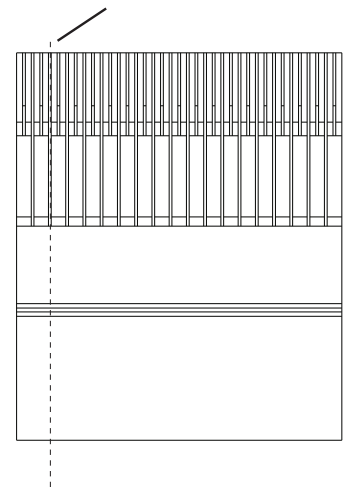


4WKB-1

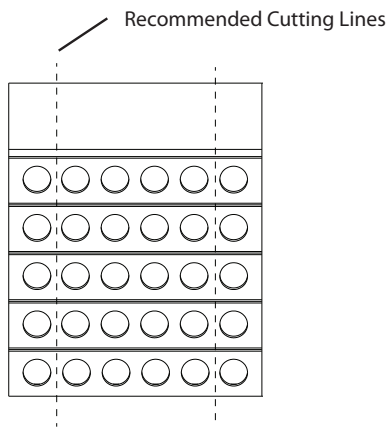


4WDKB-1

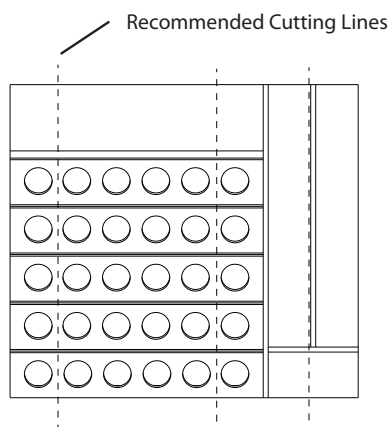
For ease of cutting we recommend cutting through knife slots.



4CDI-KCUP



4CDI-18KCUP-1



4CDI-24KCUP-1