

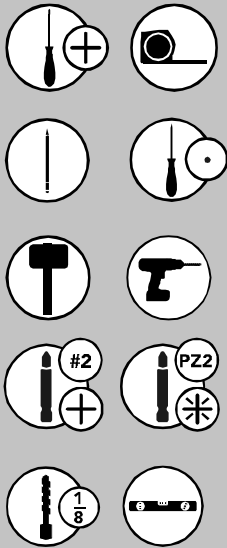
# REV-A-SHELF®



## INSTALLATION INSTRUCTIONS

### VANITY OUTLET ORGANIZER

#### TOOLS REQUIRED:



#### ESTIMATED ASSEMBLY TIME:

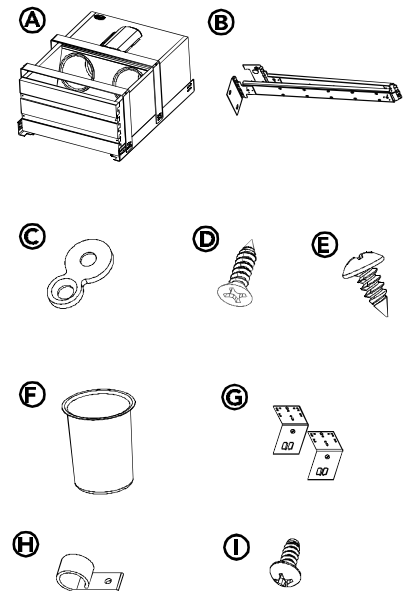
**20 MIN**

#### CARE AND MAINTENANCE:

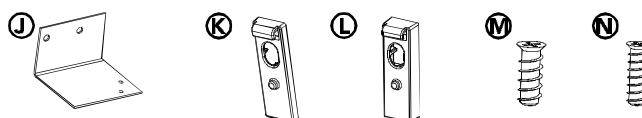
Clean with a damp cloth and wipe parts dry.

#### PARTS LIST

No.	Description	Qty.
A	Vanity Outlet Organizer	1
B	Cable Carrier Arm	1
C	Figure 8 Mounting Brackets	4
D	#8 x 5/8" Wood Screws	10 (4 for FL)
E	#8 x 3/8" Pan Head Screws	2
F	Silver Bins	2
G	Rear BLUM Brackets (FF only)	2
H	Wire Clamps	5
I	1/4-14 x 1/2" Screws	5
J	Cable Carrier Bracket w/ (2) Screws	1
K	1/8" Blum Spacers	2 (4 for FL)
L	1/4" Blum Spacers	4 (FL Only)
M	M5X14.5MM Flat Head Euro Screws*	4
N	M5X20MM Flat Head Euro Screws*	4



\*For use if you have system holes



## STEP 1

Uninstall the slide set by releasing the Blum triggers and pulling the drawer box from the slides (See Figure A). Set slide set to the side for future use.

## STEP 2

Install the figure 8 brackets onto the front of the drawer using the screws that come with them (See Figure B).



## STEP 3

Install the cable carrier arm via the (2) pre-drilled holes on the left side of the organizer box using (2) #8 x 3/8" pan head screws (See Figure C).



## STEP 4

Attach the (5) wire clamps and the (5) 1/4"-14 x 1/2" screws onto the arm. Screw in a wire clamp on the first, third, and fifth hole on the top left bar and screw a wire clamp into the second and fourth hole on the right bar (See Figure D). Once the screws and clamps are in place, lift each clamp including the clamp in the back of the drawer and feed the cord through them. Depending on where the wall outlet is installed in the actual cabinet; there will be slack in the cord. This can be constrained by the cord management system.



FIG. A

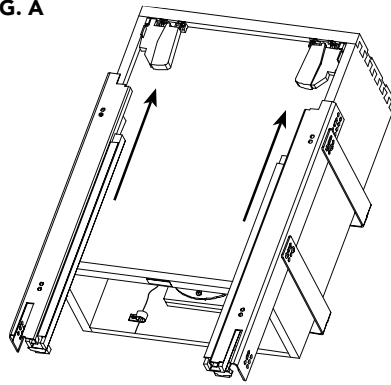


FIG. B

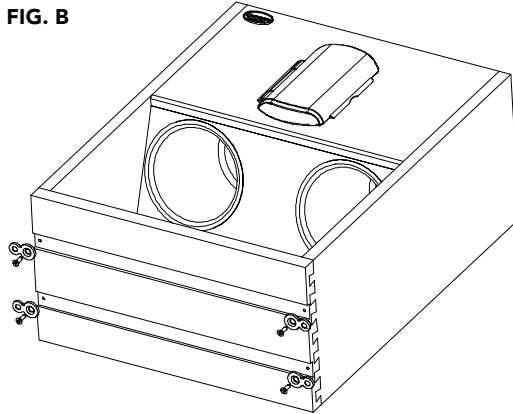


FIG. C

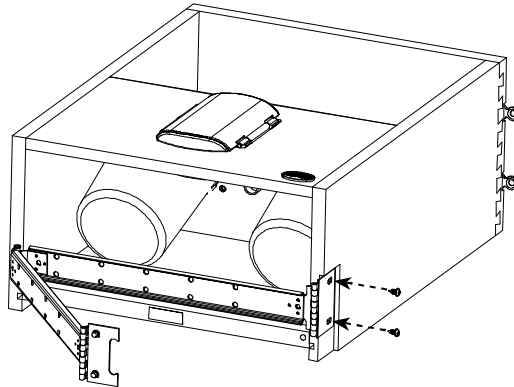
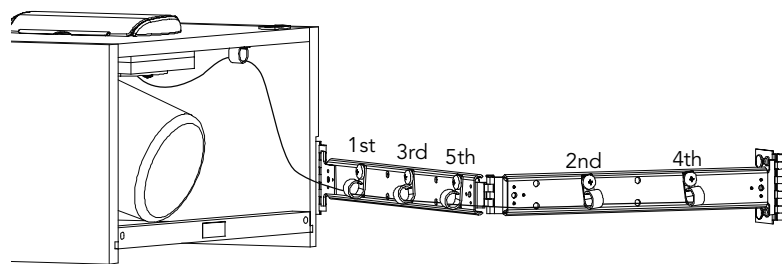


FIG. D

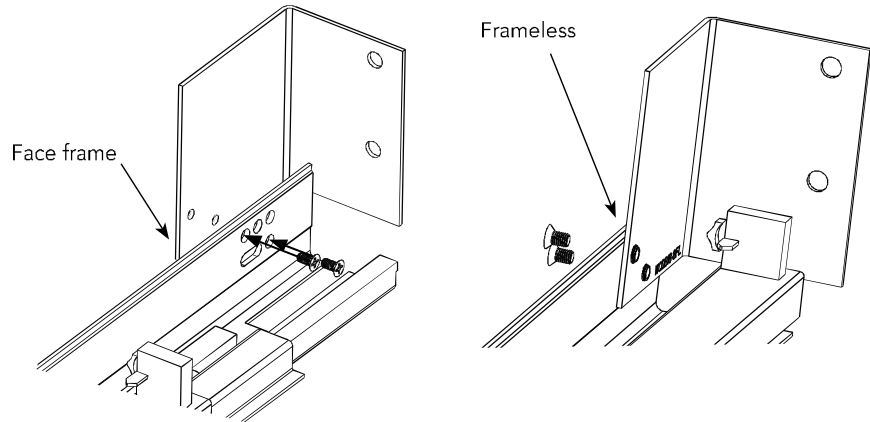


### STEP 5

Attach the cable carrier bracket to the **LEFT** Blum slide by unscrewing the (2) screws that are already in the bracket. Secure outside of the slide for face frame and inside of the slide for frameless (See Figure E).



FIG. E



### INSTRUCTION FOR ATTACHING SLIDES AND INSTALLING THE DRAWER

### STEP 6 FACE FRAME ONLY

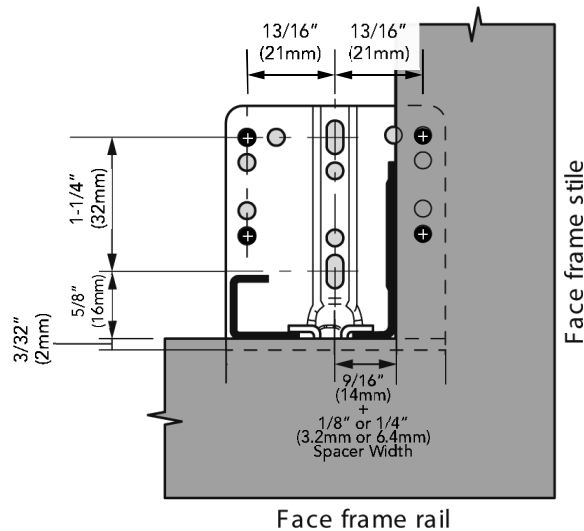
**Note:** For frameless application, skip to Step 8.

Using the measurements from the drawing, attach the rear Blum brackets to the back of the cabinet using (4) #8 x 5/8" wood screws for each bracket.

Place (2) screws in the top row in each of the two corners and place (2) screws in the fourth row as indicated by the dark circles (See Figure F).



FIG. F



### STEP 7 FACE FRAME ONLY

Using a 1/8" drill bit, pre-drill slide mounting holes 13/32" from the front edge of the cabinet. Attach the (2) 1/8" Blum spacers to both of the slides. Attach them to the 1st holes on each side. They will clamp down on the top of each slide (See Figure G-1). Place the slide set on the rear brackets. Then screw the slides set into the cabinet (See Figure G-2 & G-3).

**Note:** If this step is installed incorrectly, the organizer will not travel smoothly on the slides. Make sure to install the slide set level in the cabinet.

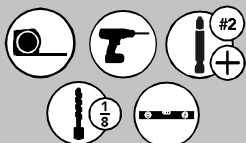


FIG. G-1

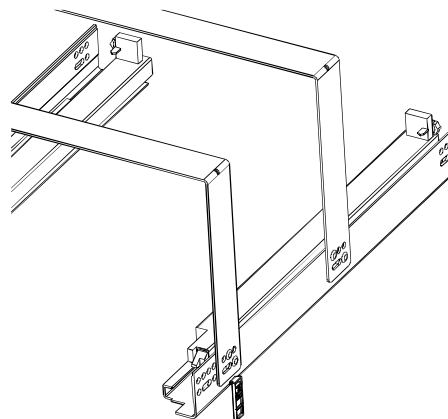


FIG. G-2

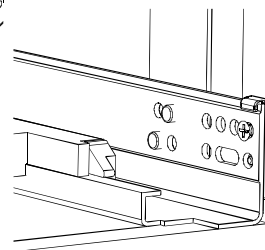
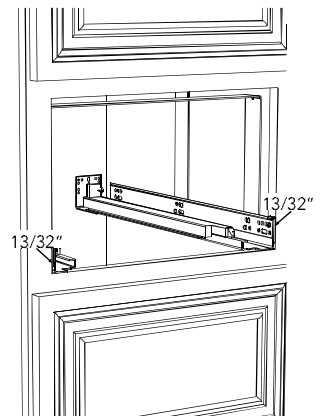


FIG. G-3



## STEP 8 FRAMELESS APPLICATION

**Note:** Regardless of system holes or not, if you have a frameless cabinet opening of 16.5" then you **MUST** use the 1/8" Blum spacers. If you have a frameless cabinet opening of 16.75" then you must use the 1/4" Blum spacers.

Based on the min cabinet opening, select the Blum spacers that correlate with the opening. Attach (2) of the Blum spacers to the **left** slide. Attach one spacer in the first hole and the other spacer 5th hole (See Figure H-1).

Attach (2) of the Blum spacers to the **right** slide. Attach one spacer in the first hole and the other spacer in the last hole (See Figure H-2).

Use the dimensions on the image for proper placement of the frameless slide set. Secure the slide set to the cabinet by using (4) #8 x 5/8" wood screws (See Figure H-3).

**Note:** All measurements are from the center of the hole to the front edge of the cabinet.

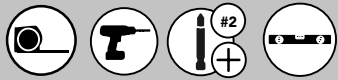


FIG. H-1

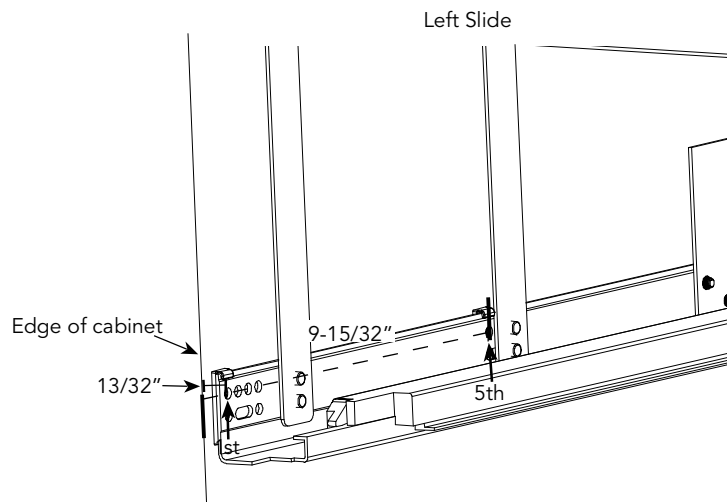


FIG. H-2

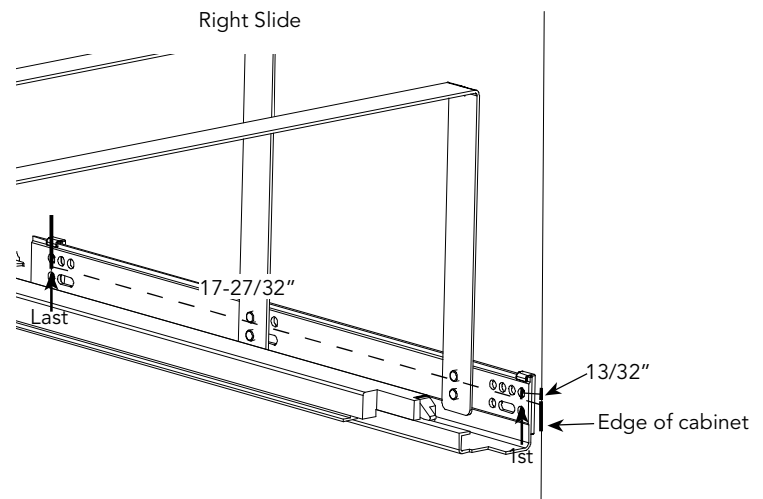
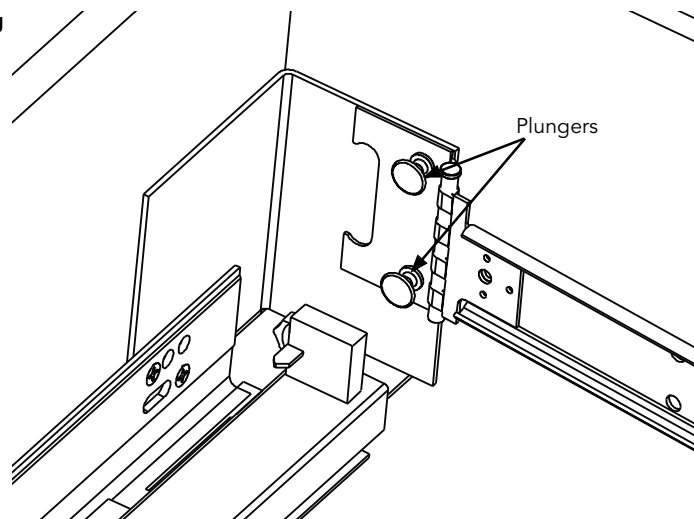


FIG. J



## FOR FACE FRAME AND FRAMELESS APPLICATIONS

### STEP 9

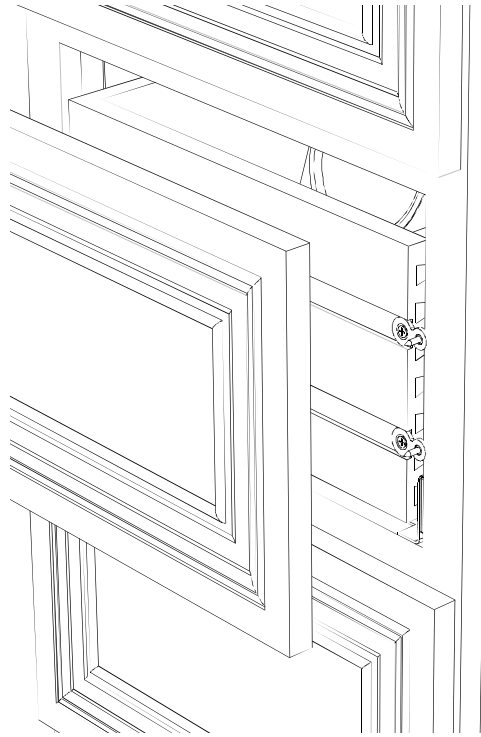
Attach the cable carrier arm to the large bracket that is secured to the left Blum slide by disengaging the locking mechanism, inserting the plungers, and re-engaging the locking mechanism (See Figure J). Slide the drawer onto the slides, lock the slides onto the triggers, and cycle a few times.

## STEP 10

Attach the drawer front using the figure 8 mounting brackets and the screws that come in the same bag. The unit can now be plugged in (See Figure K).



FIG. K



## DISENGAGING THE VANITY OUTLET ORGANIZER

**Step 1:**  
Unplug the organizer from the outlet that is installed in the cabinet.

**Step 2:**  
Disengage the two black plungers that are attached to the arm in the back of the unit. Achieve this by pulling out the two plungers. You will feel them disengage (See Figure L).

**Step 3:**  
Remove drawer by releasing the (2) Blum triggers that are on the bottom of the drawer (See Figure M).

FIG. L

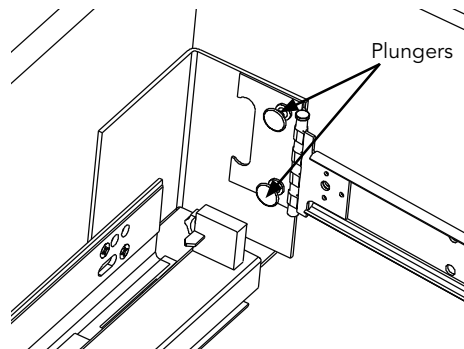
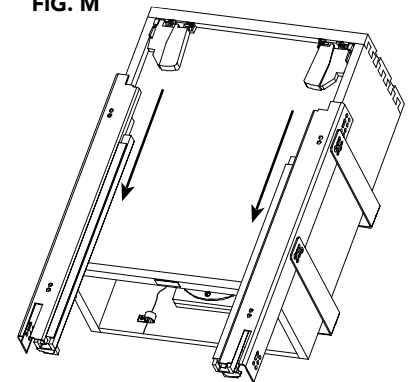


FIG. M



### IMPORTANT SAFETY INSTRUCTIONS

#### Caution: To reduce risk of fire or electronic shock or injury to persons:

- Not intended to be used in damp locations. Dry locations only
- Not intended for long term storage. Items should be monitored.
- Drawer should be removed and plastic ties inspected to insure they are secure at least twice a year
- Route and secure cords so that they will not be pinched or damaged when drawer is closed.
- A licensed electrician should be consulted for wiring through ceiling, soffits or walls. All wiring must follow NEC regulations.
- Do not store combustibles in drawer (i.e. aerosols)
- Do not alter the plug or plug cover

#### Customer's responsibility:

- Install 120v outlet in rear of cabinet within 10" of bottom of drawer.
- Do not overload outlet.
- Wood is combustible. Do not put/leave hot items in the bottom of the drawer. Only place hot items in the (2) silver cans.
- Customer is responsible for wiring and connecting plug in cabinet.
- Do not leave hot items unattended while on in the drawer.
- Turn off hot items not in use in the drawer.

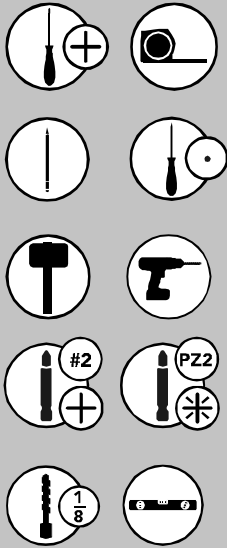
#### Product intention of use:

- Product is intended for vanity electronic device usage.
- Overall safety of this product is determined by its end use.

## INSTRUCCIONES DE INSTALACIÓN / LES INSTRUCTIONS D'INSTALLATION

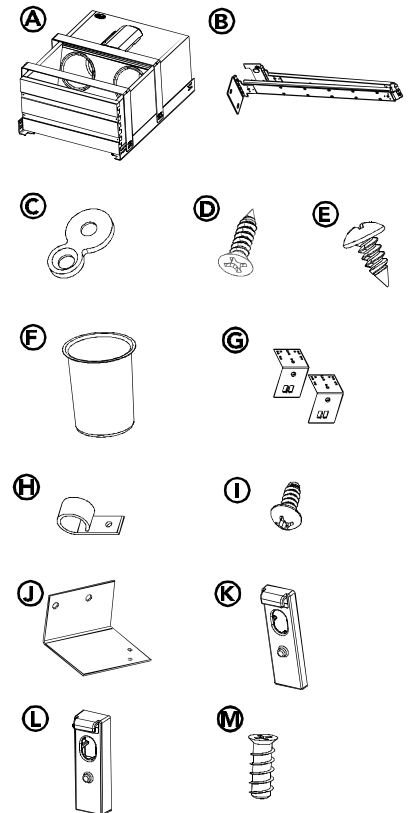
### ENCHUFE DE ORGANIZADOR DE TOCADOR ORGANISEUR DE TOILETTE À PRISE

#### Herramientas requeridas: Outils Requis:



#### LISTA DE PARTES / LISTE DES PIÈCES

No.	Descripción / Description	Qty.
A	<b>Enchufe de organizador de tocador</b> Organiseur de toilette à prise	1
B	<b>Brazo porta cable / Bras porte-câbles</b>	1
C	<b>Soportes de ensamblaje de la Figura 8</b> Supports de montage figure 8	4
D	<b>Tornillos para madera #8 x 5/8"</b> Vis à bois #8 x 5/8"	10 (4 for FL)
E	<b>Tornillos de cabeza plana #8 x 3/8"</b> Vis à tête cylindrique #8 x 3/8"	2
F	<b>Contenedores plateados</b> Bacs en argent	2
G	<b>Soportes traseros BLUM (solo marco completo)</b> Supports arrière BLUM (FF uniquement)	2
H	<b>Abrazaderas de alambre / Serre-fils</b>	5
I	<b>Tornillos de 1/4"-14 x 1/2"</b> Vis 1/4-14 x1/2"	5
J	<b>Herrajes de porta cable con (2) tornillos</b> Support de porte-câbles avec (2) vis	1
K	<b>Separadores Blum de 1/8"</b> Entretoises Blum 1/8"	2 (4 for FL)
L	<b>Separadores Blum de 1/4"</b> Entretoises Blum 1/4"	4 (FL Only)
M	<b>Tornillos Euro de cabeza plana M5 X 14.5 MM*</b> Vis à tête plate Euro* M5X14,5 mm*	4
N	<b>Tornillos Euro de cabeza plana M5 X 20 MM*</b> Vis à tête plate Euro* M5X20 mm*	4



#### Tiempo estimado de ensamblado Durée de l'installation:

**20 MIN**

#### Cuidado/ Entretien:

Limpie con un paño húmedo y seque las partes.  
Lubrique los puntos de los pivotes como sea necesario.

Nettoyer avec un chiffon humide et essuyer pour sécher complètement. Lubrifiez les points de pivotement si nécessaire

VER VIDEOS DE  
INSTALACIONES DE PRODUCTOS  
REGARDER DES VIDÉOS  
D'INSTALLATIONS DE PRODUITS



WWW.REV-A-SHELF.COM/VIDEOS

\*Para usar si tiene el sistema de orificios / \*À utiliser si vous avez des trous dans le système