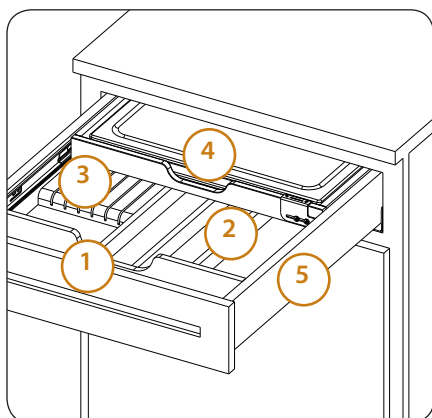


# 4KCB SERIES COMBINATION KNIFE HOLDER/ CUTTING BOARD

- Designed for 1-1/2" face frame 18", 21" and 24" base cabinet drawers
- Complete drawer system, just add your drawer front
- Easy installation
- Maple construction with semi-gloss finish
- Full-extension, under mount, concealed slides with BLUMOTION soft-close
- (2) compartments and built-in knife organizer
- Up to (4) compartments, a built-in knife organizer and a top tier cutting board
- Top tier lock to securely hold the cutting board into place
- Mounts to cabinet side and rear wall
- Figure 8 door mounting brackets
- (1) wood cutting board
- Carb II compliant



	Base 18	Base 21	Base 24
1. Front Storage	13" W x 3" D x 3" H 330 mm x 76 mm x 76 mm	16" W x 3" D x 3" H 407 mm x 76 mm x 76 mm	19" W x 3" D x 3" H 483 mm x 76 mm x 76 mm
2. Side Storage	5½" W x 16" D x 1½" H 140 mm x 406 mm x 36 mm One Slot	8½" W x 16" D x 1½" H 216 mm x 406 mm x 36 mm Two Slots	11½" W x 16" D x 1½" H 292 mm x 406 mm x 36 mm Three Slots
3. Knife Storage Area	7" W x 16" D x 1½" H 178 mm x 406 mm x 36 mm	7" W x 16" D x 1½" H 178 mm x 406 mm x 36 mm	7" W x 16" D x 1½" H 178 mm x 406 mm x 36 mm
4. Cutting Board	11¼" W x 15¼" D x 1½" H 286 mm x 387 mm x 35 mm	14¼" W x 15¼" D x 1½" H 361 mm x 387 mm x 35 mm	17¼" W x 17½" D x 1½" H 438 mm x 444 mm x 35 mm
5. Support Frame (Min. Overall PRODUCT DIMENSIONS)	15" W x 21¾" D x 4¾" H 381 mm x 573 mm x 111 mm	18" W x 21¾" D x 4¾" H 457 mm x 573 mm x 111 mm	21" W x 21¾" D x 4¾" H 532 mm x 573 mm x 111 mm



**JUST ADD YOUR  
OWN DRAWER  
FRONT!**

PRODUCT #	DESCRIPTION	PRODUCT DIMENSIONS	FINISH	SET PER CTN	WHT PER CARTON	SUGGESTED LIST PRICE
Knife Holder and Cutting Board Drawer W/ BLUMOTION Soft-Close for Face Frame Cabinetry						
4KCB-18SC-1	Knife Holder and Cutting Board for Base 18"	15" (381 mm) W x 22½" (562 mm) D x 4½" (114 mm) H	Maple	1	25 lb.	\$271.15
4KCB-21SC-1	Knife Holder and Cutting Board for Base 21"	18" (456 mm) W x 22½" (562 mm) D x 4½" (114 mm) H	Maple	1	28 lb.	\$295.95
4KCB-24SC-1	Knife Holder and Cutting Board for Base 24"	21" (532 mm) W x 22½" (562 mm) D x 4½" (114 mm) H	Maple	1	31 lb.	\$321.45

**CONTAINS:**

Knife Rest, Cutting Board, Full-Extension Slides, Mounting Hardware and Screws. *Knives Not Included*

**NOTE:**

Adjustable depth, designed for 24" (588 mm) D cabinets (Base 18", 21" & 24" drawers.) Minimum Opening Height = 4¾"