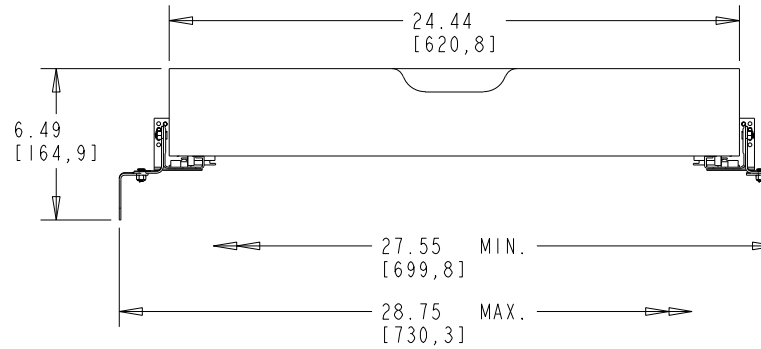
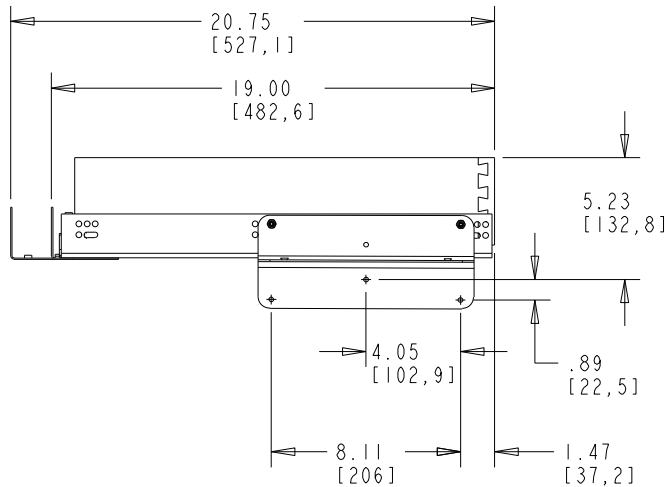
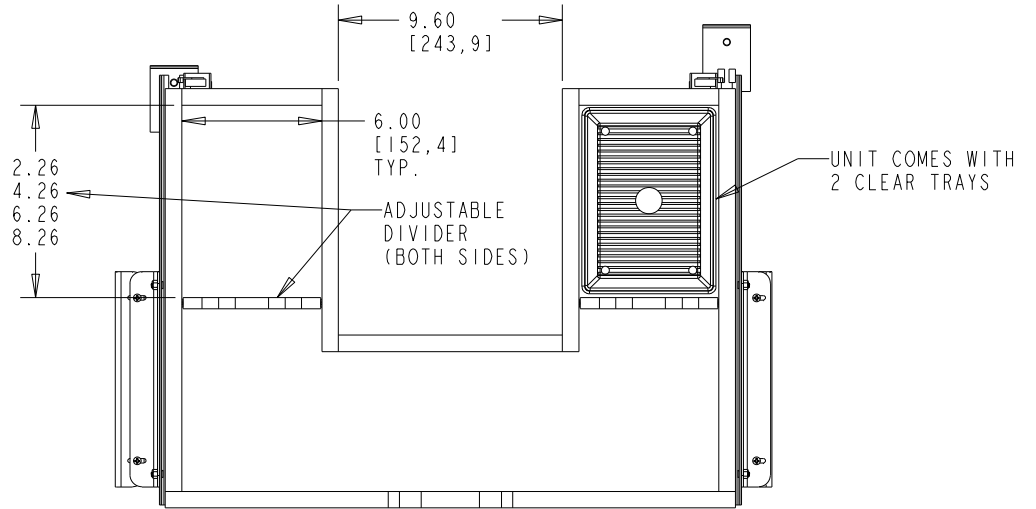
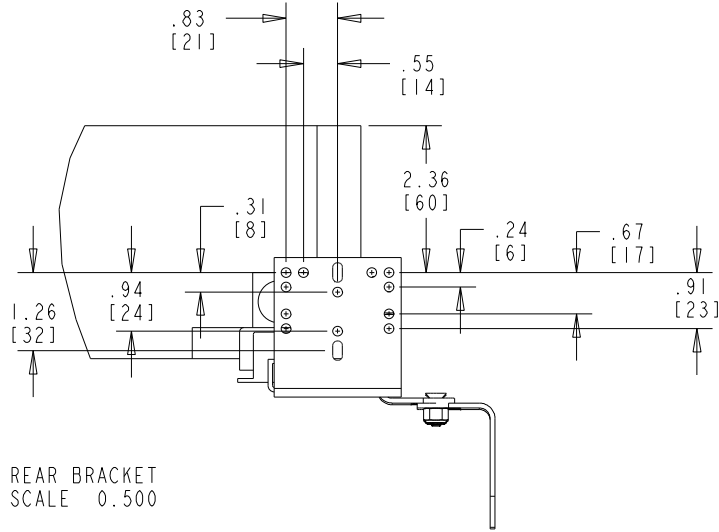


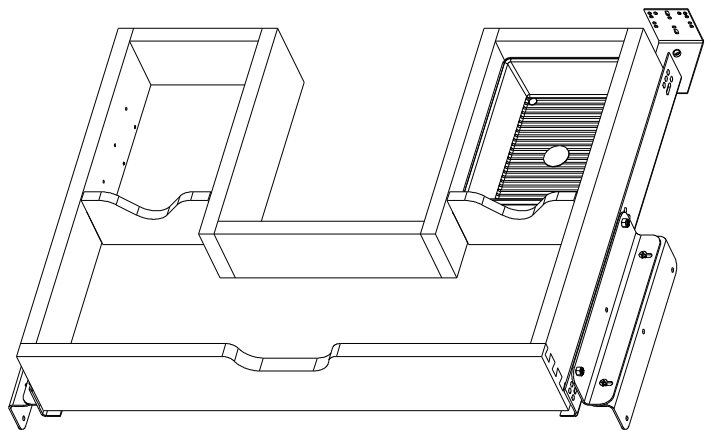
NOTE: CLEARANCE FOR PLUMBING AND/OR SINK BASE IS 9.60.



CUSTOMER DRAWING

This drawing is the property of Rev-A-Shelf (RAS) and is disclosed in confidence to the extent its subject matter is original to RAS. Any vendor receiving this drawing from RAS shall hold and use this drawing for the sole benefit of RAS and shall not disclose it to, or use or reproduce it for any third party, or perform any act adverse to the interest of RAS with respect to this drawing without the express written permission of RAS. Vendors shall not revise any physical, dimensional or performance characteristic unless authorized by Rev-A-Shelf Engineering.

REV.	DATE	BY	DESCRIPTION OF CHANGE																
				AMERICAN PROJECTION		DRAWN		BY		DATE		REV-A-SHELF, INC.		SIZE		DRAWING NO.		SCALE	
				TOLERANCES		FINISH		MATERIAL		10-2-17		486-30VSBSC-SM-1		B		486-30VSBSC-SM-1		0.188	
				MAT. DEC.		FINISH		MATERIAL				486-30VSBSC-SM-1		SHEET		486-30VSBSC-SM-1		OF	
				WOOD: .XX ±.03 [.8mm]		FRACCTIONS ±1/32 [.8mm]		MATERIAL				486-30VSBSC-SM-1		1		486-30VSBSC-SM-1		2	
				(OTHER) .XX ±.02 [.5mm]		ANGLES ±1/2°		FINISH				486-30VSBSC-SM-1				486-30VSBSC-SM-1			
				(ALL) .XXX ±.005 [.13mm]								486-30VSBSC-SM-1				486-30VSBSC-SM-1			



PART DIMENSIONS		
	MIN	MAX
WIDTH	27.55	28.75
DEPTH	19.00	20.75
HEIGHT	6.49	
WEIGHT		
DIAMETER		
RADIUS		
CONTAINER CAPACITY		
CONTAINER UOM		

MIN CABINET OPENING				
	FACE FRAME	FRAMELESS	INSET FACE FRAME	INSET FRAMELESS
WIDTH	24.75	27.55	24.75	27.55
DEPTH	19.00	19.00	19.75	19.75
HEIGHT	7.00	7.00	7.00	7.00

SLIDE SPECIFICATIONS				
SLIDE TYPE	BLUM	SLIDE EXTENSION	FULL EXTENSION	MAX WEIGHT RATING
SLIDE CLOSING	SOFT	SLIDE LENGTH	18.00 [457MM]	
SLIDE MOUNTING	SIDE	SLIDE FINISH	ZINC	100 LB

CUSTOMER DRAWING

This drawing is the property of Rev-A-Shelf (RAS) and is disclosed in confidence to the extent its subject matter is original to RAS. Any vendor receiving this drawing from RAS shall hold and use this drawing for the sole benefit of RAS and shall not disclose it to, or use or reproduce it for any third party, or perform any act adverse to the interest of RAS with respect to this drawing without the express written permission of RAS. Vendors shall not revise any physical, dimensional or performance characteristic unless authorized by Rev-A-Shelf Engineering.

REV.	DATE	BY	DESCRIPTION OF CHANGE

INCH [MM]	AMERICAN PROJECTION 	BY	DATE	DRAWING NO. 486-30VSBSC-SM-1	SCALE 0.188
		KRR	10-2-17		
		MATERIAL	FINISH	PART NO. 486-30VSBSC-SM-1	SHEET OF 2 2

TOLERANCES
 MAT. DEC.
 (WOOD) .XX ±.03 [.8mm]
 (OTHER) .XX ±.02 [1.5mm]
 (ALL) .XXX ±.005 [1.3 mm]
 FRACTIONS ±1/32 [.8 mm]

ANGLES
±1/2°

REV-A-SHELF, INC.

SIZE **B** VANITY 30° U-SHAPE BASKET WITH CLEAR BINS SIDE MOUNT