



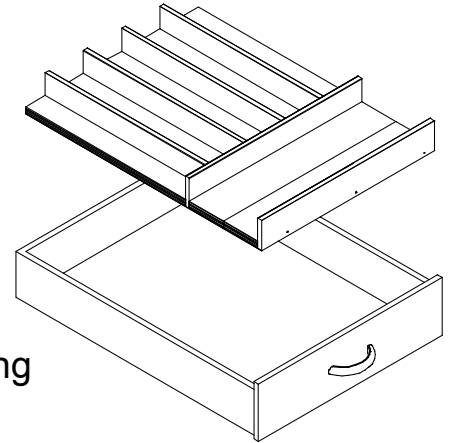
Omega National

PRODUCTS

UNIVERSAL DRAWER KIT

Important Notes

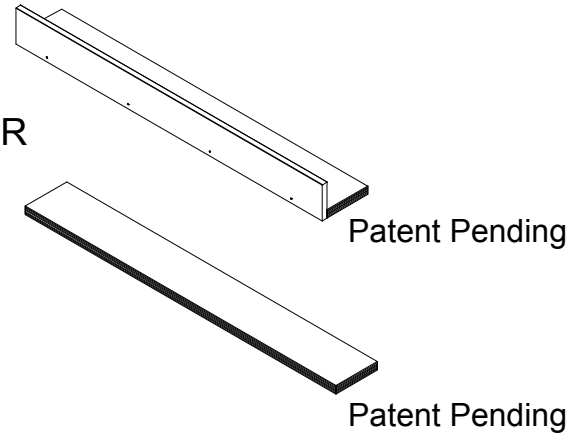
- Always read the instructions completely and carefully before beginning assembly.
- Remove and check contents for damage and/or missing parts. Keep the original carton and packing materials, which are required for any authorized adjustment by our dealers.



Parts List

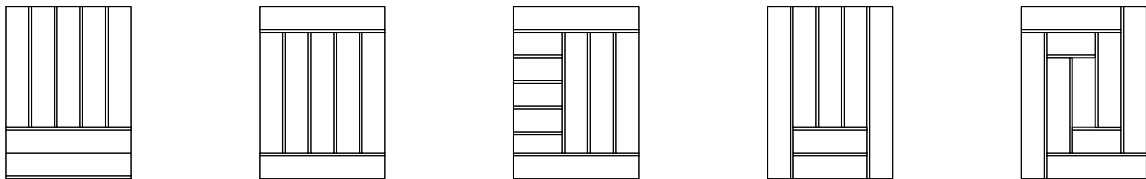
6 EA. – 19 3/4" UNIVERSAL DRAWER DIVIDER

1EA. – 19 3/4" x 2 5/8" FILLER BLOCK



Installation Instructions

Step 1: Determine the desired drawer configuration, keeping in mind that the units are approximately 3 inches wide. See examples below.



Step 2: Determine the longest pieces of Universal Drawer Divider needed and cut these first using a hand or power mitre box.

CAUTION: NAILS ARE USED IN THE CONSTRUCTION OF THESE PARTS!

Step 3: When all the divider pieces are cut and placed in the drawer, rip and cut the Filler Block if necessary to fill in any spaces in the drawer bottom.



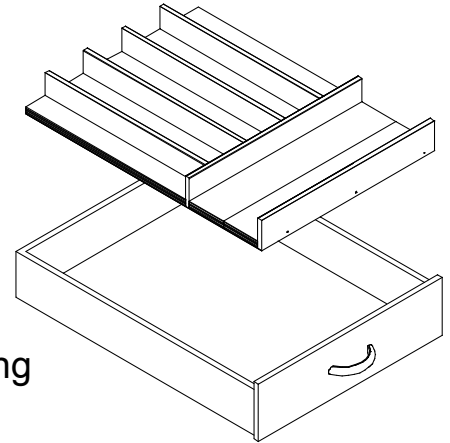
Omega National

PRODUCTS

UNIVERSAL DRAWER KIT BULK PKG.

Important Notes

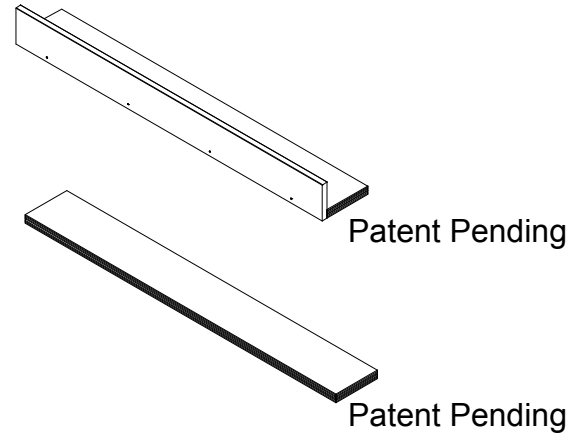
- Always read the instructions completely and carefully before beginning assembly.
- Remove and check contents for damage and/or missing parts. Keep the original carton and packing materials, which are required for any authorized adjustment by our dealers.



Parts List

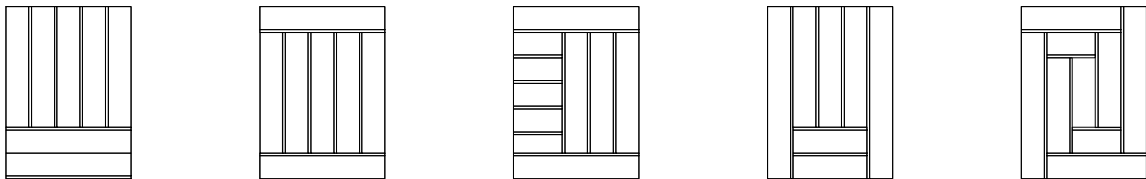
6 EA. – 60” UNIVERSAL DRAWER DIVIDER

1EA. – 60” x 2 ⁵/₈” FILLER BLOCK



Installation Instructions

Step 1: Determine the desired drawer configuration, keeping in mind that the units are approximately 3 inches wide. See examples below.



Step 2: Determine the longest pieces of Universal Drawer Divider needed and cut these first using a hand or power mitre box.

CAUTION: NAILS ARE USED IN THE CONSTRUCTION OF THESE PARTS!

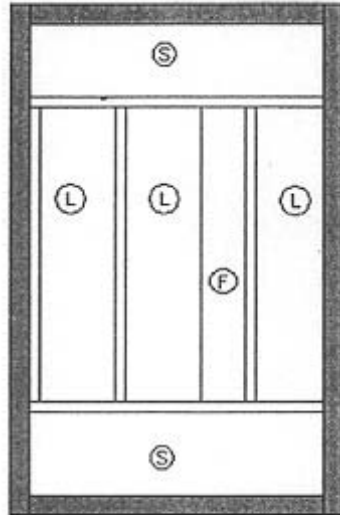
Step 3: When all the divider pieces are cut and placed in the drawer, rip and cut the Filler Block if necessary to fill in any spaces in the drawer bottom.



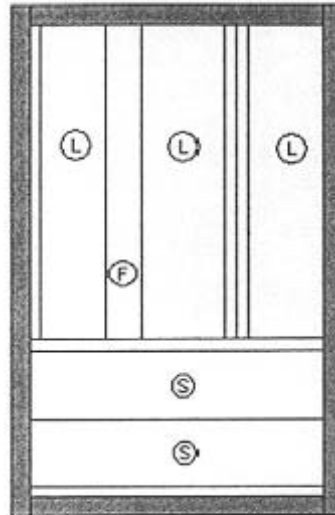
Omega National PRODUCTS

Drawer Organizer Layout Options (Divider Placement Configuration)

Please review the layout options below to determine which is best suited to your application.

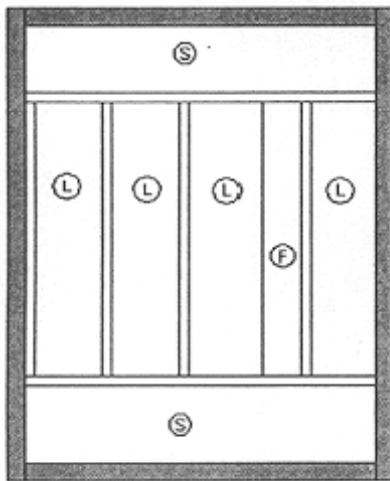


B15 Option A

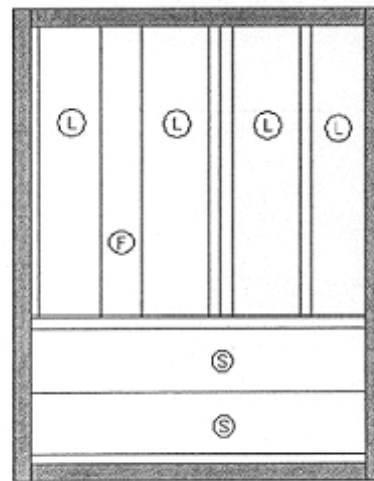


B15 Option B

- Long Divider (L)
- Short Divider (S)
- Filler Strip (F)

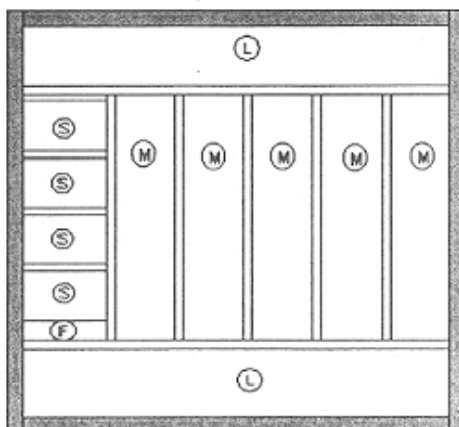


Base 18 Option A

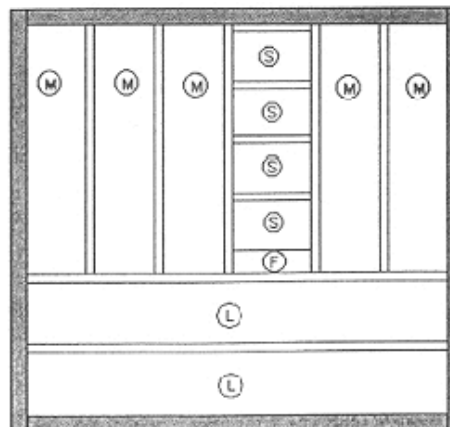


Base 18 Option B

- Long Divider (L)
- Short Divider (S)
- Filler Strip (F)



Base 24 Option A



Base 24 Option B

- Long Divider (L)
- Medium Divider (M)
- Short Divider (S)
- Filler Strip (F)