

Always read the instructions completely and carefully before beginning assembly.
Remove and check contents for damage and / or missing parts.

Cutlery Tray

556.99.104 2-1/4"H x 15-1/4"W x 19-1/2"D

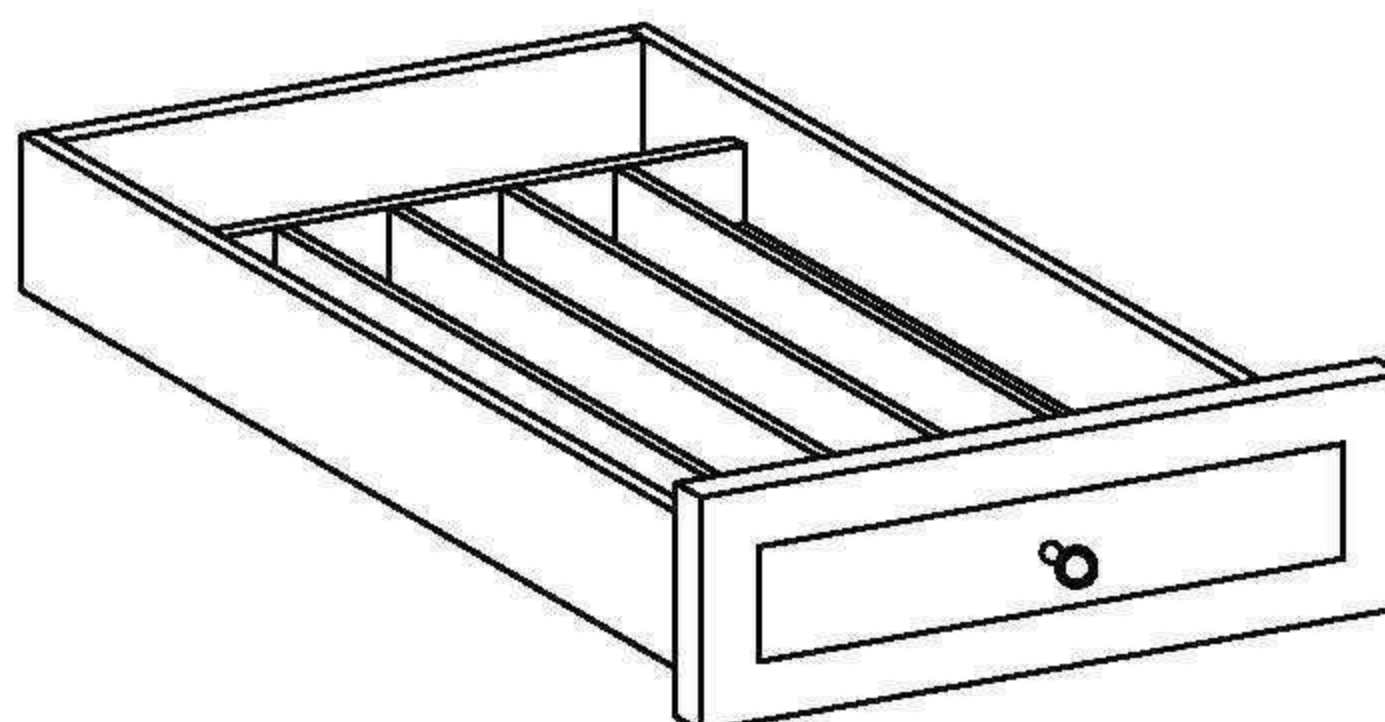


Fig. 1

Contents of Box:
1 - Cutlery Tray

You will need:
Safety Glasses
Tape Measure
Table Saw

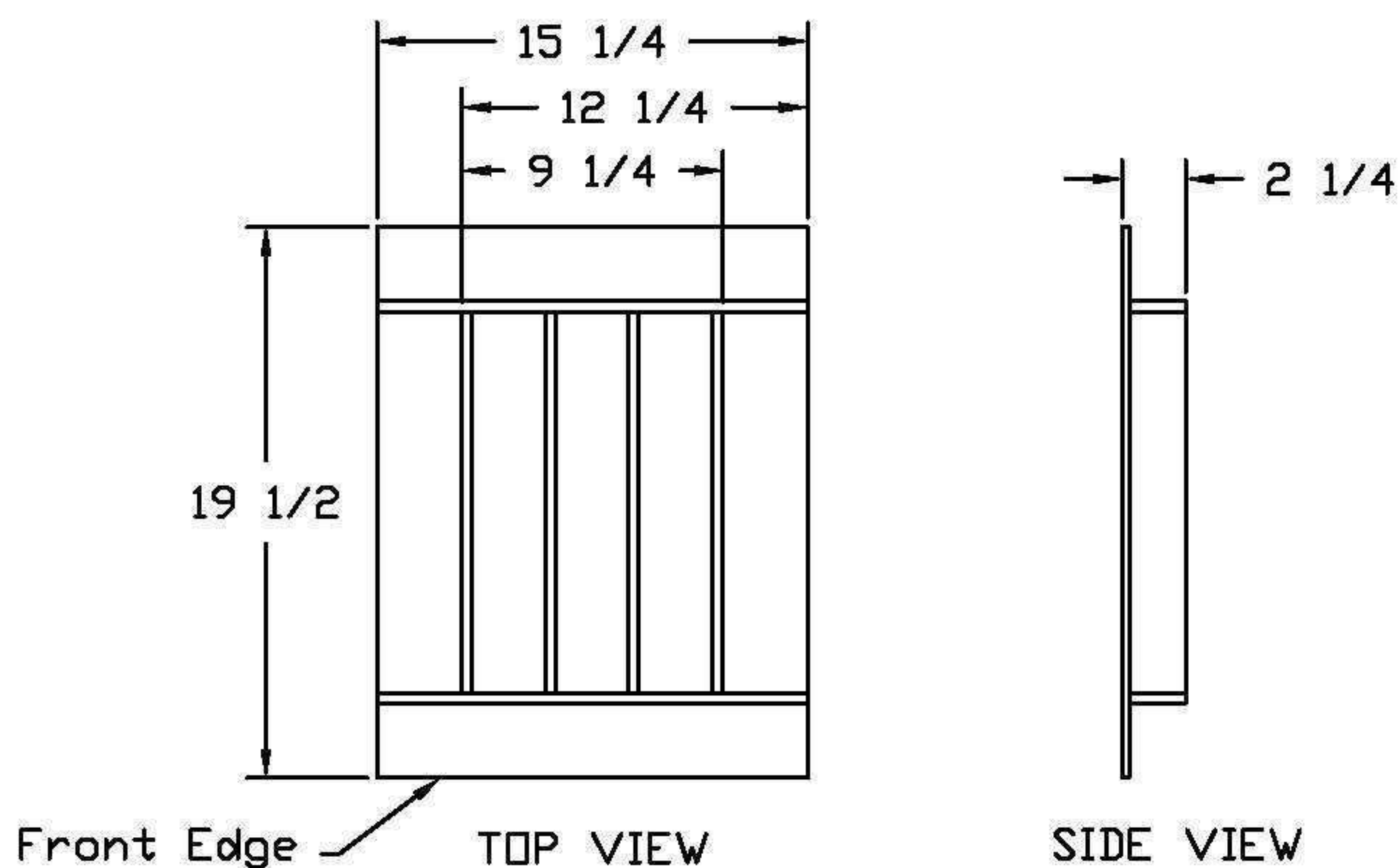


Fig. 2

Installation Instructions

- Step 1** The Cutlery Tray insert is designed so it can be used in three different widths. It is made at 15-1/4" wide and can be re-sized using a table saw for 12-1/4" and 9-1/4" wide drawers. The length of the Cutlery Tray can also be trimmed to fit the length of the drawer.
- Step 2** Measure the width and depth of drawer.
If drawer width is less than 15-1/4" you will have to trim the width using a table saw.
For a 12-1/4" wide drawer trim 1 side up to the first divider to get the 12-1/4" width. (See Fig. 2)
For a 9-1/4" wide drawer trim both sides of cutlery tray up to the first divider to get the 9-1/4" width. (See Fig. 2)
(Be careful not to allow the saw blade hit the side of the divider(s) when trimming to proper width.)
- Step 3** If Cutlery Tray length is too long trim the front plywood edge to the length of the drawer.
- Step 4** Install the unit inside the drawer, no adhesive necessary.