

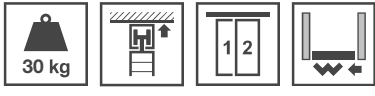
1

Sliding Door Hardware

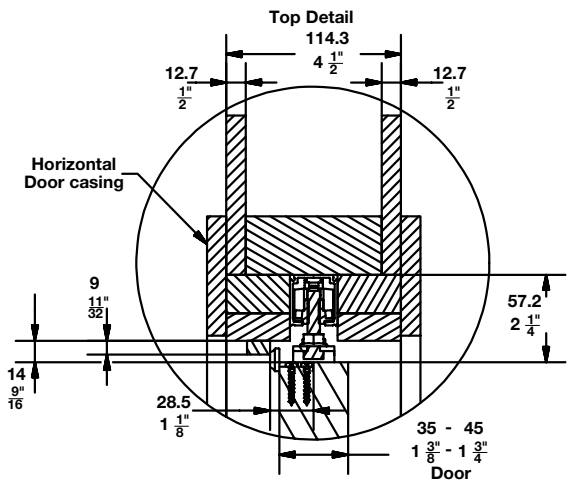
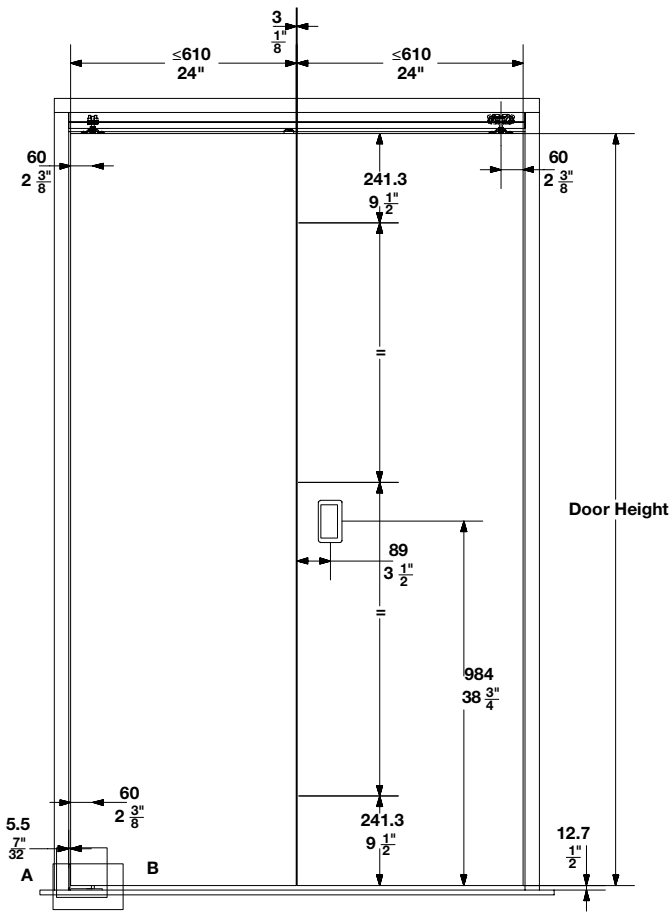
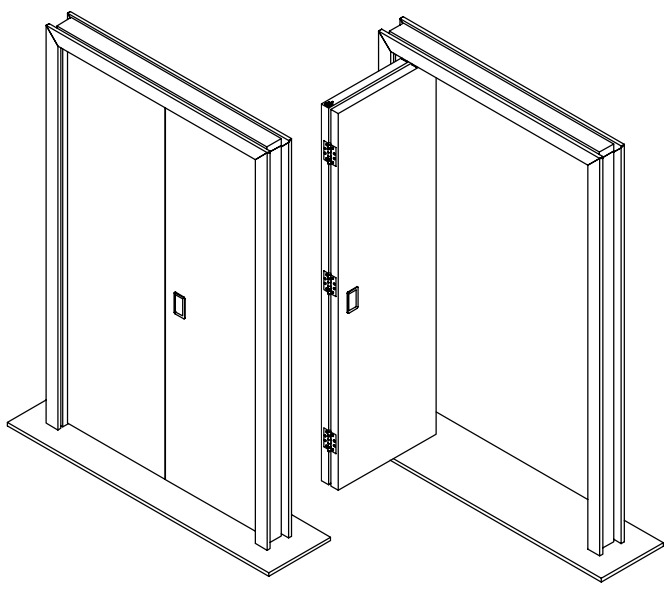
Häfele Slido Classic Bifold 30



- > Door weight: max. 30 kg (66 lbs.)
- > Door size: max. 610 x 2743 mm (24" x 108")
- > Door thickness: 26-45 mm (1"-1 3/4")
- > For interior commercial doors
- > For four doors, 2 doors bi-folding to the left and right, respectively
- > Simple installation
- > Lower pivot options included for wall or floor mounting
- > Smooth, quiet operation
- > Universal mounting; can be mounted to pivot left or right
- > Complies to ANSI / BHMA standard A156.14



Service+



Dimensional data not binding. Dimensions in mm, inches are approximate. We reserve the right to alter specifications without notice.

Häfele Slido Classic Bifold 30 Set

	Supplied with	Item No.
For 2 doors, bi-folding in one direction without upper track Weight capacity: 30 kg (66 lbs.)	1 running gear with suspension plate 1 upper pivot with suspension plate 1 lower pivot for wall mounting 1 lower pivot for floor mounting 1 pivot plate 1 stop bracket 3 butt hinges 4" x 3" 1 wrench for height adjustment 1 set of mounting screws	943.51.001

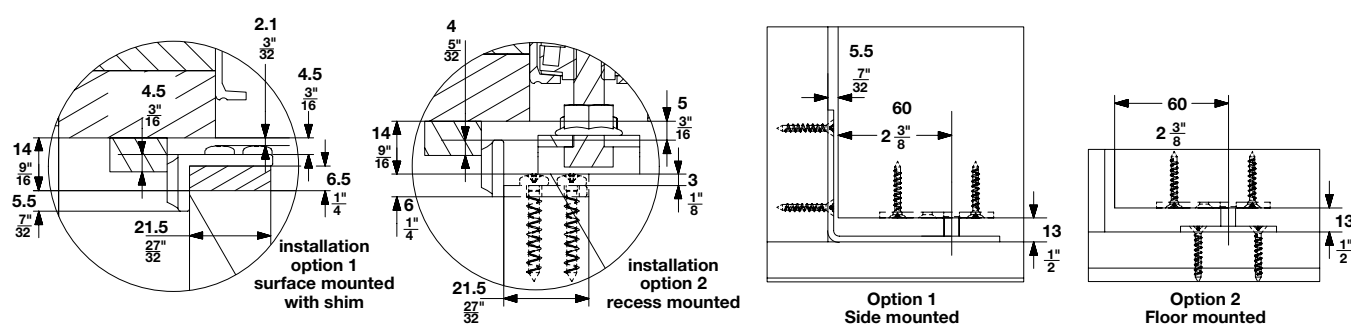
Note

Order upper track separately.
For a 4 door application, order 2 sets.

	Supplied with	Item No.
For 2 doors, bi-folding in one direction, includes 1.22 m (48 1/16") long upper track Weight capacity: 30 kg (66 lbs.)	1 running gear with suspension plate 1 upper pivot with suspension plate 1 lower pivot for wall mounting 1 lower pivot for floor mounting 1 pivot plate 1 stop bracket 3 butt hinges 4" x 3" 1 wrench for height adjustment 1 set of mounting screws 1 upper track 1.22 m (48 1/16")	943.51.002

→ Tracks

Description	Material	Finish	Length	Item No.
Upper track	Aluminum	mill	1.22 m (4' 1/16")	940.43.929
			2.5 m (8' 2 7/16")	940.43.926



Dimensional data not binding. Dimensions in mm, inches are approximate. We reserve the right to alter specifications without notice.

Flush pulls	pages 1.394–1.396
Pull handles	pages 2.4–2.29