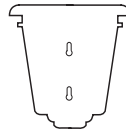
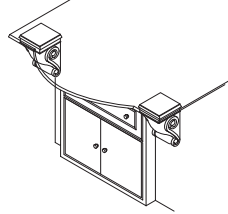


## Corbels

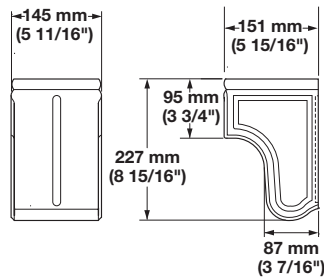
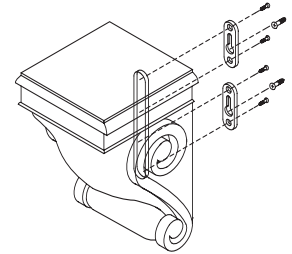
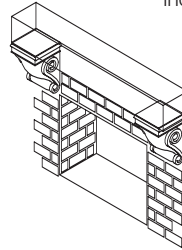
- Top profile accepts moulding up to 3/4".
- Use with, room decorations, islands, etc.
- For fireplace mantel applications use wood corbels. Do not use resin corbels.
- Wood corbels are produced from laminated stock and each is color matched. Within a color match there may be slight variation of color from white to light gray or light brown.
- Resin corbels are not designed for weight bearing applications, or in close proximity to high temperatures.
- If using keyhole plates to mount corbels, use #8 or larger screws.



- Resin corbels can be mounted utilizing two pre-molded keyhole slots and two #8 wood screws (not included).

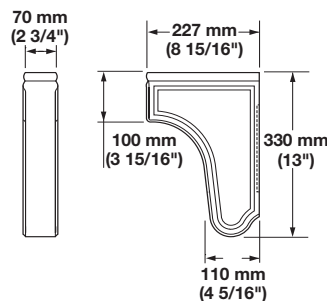


- Wood corbels can be mounted with keyhole plates provided and pre-attached.



Wood species	Item No.
Pine	194.69.001
Maple	194.69.101
Red Oak	194.69.401
Cherry	194.69.601

Packing: 1 pc.



Wood species / Material	Item No.
Pine	194.69.002
Maple	194.69.102
Red Oak	194.69.402
Cherry	194.69.602
Resin	108.05.002

Packing: 1 pc.

Dimensional data not binding. We reserve the right to alter specifications without notice.

Dimensions in mm  
Inches are approximate