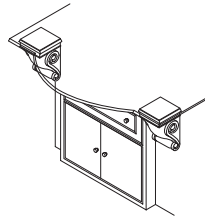
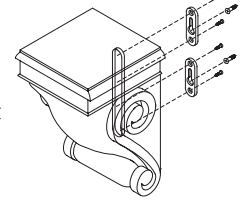
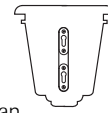


Corbels

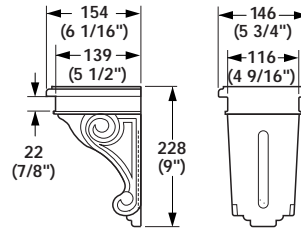
- Top profile accepts moulding up to 3/4".
- Use with, room decorations, islands, etc.
- For fireplace mantel applications use wood corbels. Do not use resin corbels.
- Wood corbels are produced from laminated stock and each is color matched. Within a color match there may be slight variation of color from white to light gray or light brown.



- Resin corbels are not designed for weight bearing applications, or in close proximity to high temperatures.
- Resin corbels can be mounted utilizing two pre-molded keyhole slots and two #8 wood screws (not included).
- If using keyhole plates to mount corbels, use #8 or larger screws.



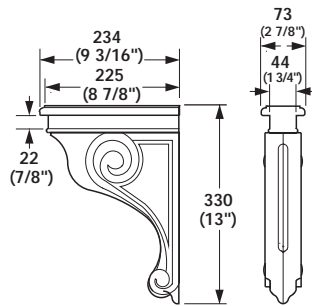
- Wood corbels can be mounted with keyhole plates provided and pre-attached.



Wood species / Material	Item No.
Pine	194.69.005
Maple	194.69.105
Red Oak	194.69.405
Cherry	194.69.605
Alder	194.69.905
Resin	108.05.005

Packing: 1 pc.

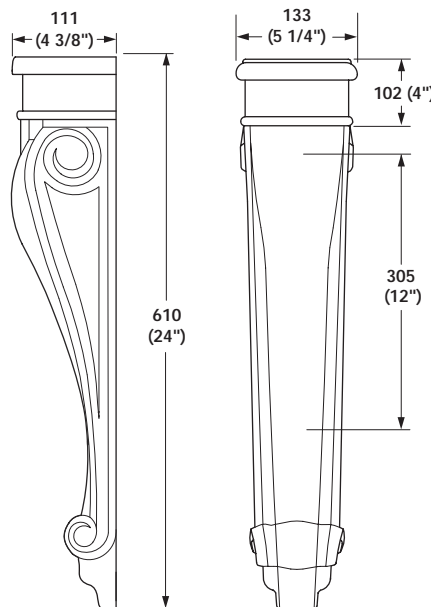
New Item



Wood species	Item No.
Pine	194.69.006
Maple	194.69.106
Red Oak	194.69.406
Cherry	194.69.606
Alder	194.69.906

Packing: 1 pc.

New Item



Wood species	Item No.
Maple	194.69.109
Oak	194.69.409
Cherry	194.69.609

Packing: 1 pc.

Dimensional data not binding. We reserve the right to alter specifications without notice.

Dimensions in mm
Inches are approximate