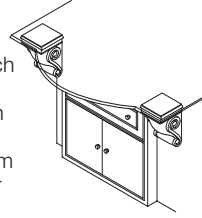


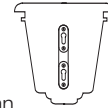
Corbels

- Top profile accepts moulding up to 3/4".
- Use with, room decorations, islands, etc.
- For fireplace mantel applications use wood corbels. Do not use resin corbels.

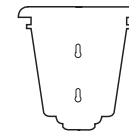
- Wood corbels are produced from laminated stock and each is color matched. Within a color match there may be slight variation of color from white to light gray or light brown.



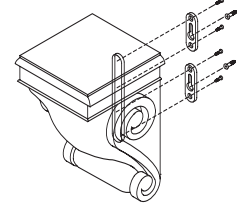
- Resin corbels are not designed for weight bearing applications, or in close proximity to high temperatures.



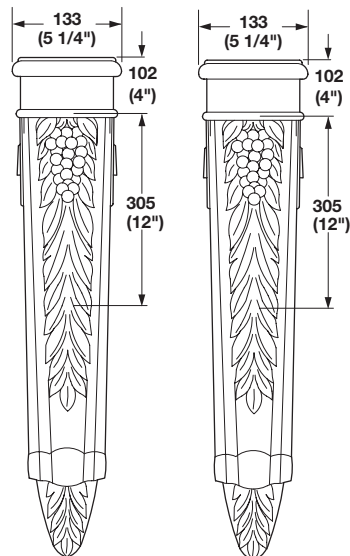
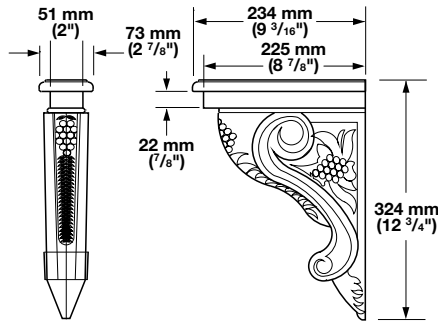
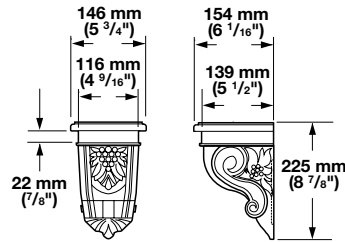
- Wood corbels can be mounted with keyhole plates provided and pre-attached.



- Resin corbels can be mounted utilizing two pre-molded keyhole slots and two #8 wood screws (not included).



- If using keyhole plates to mount corbels, use #8 or larger screws.



Wood species	Item No.
Pine	194.69.003
Maple	194.69.103
Red Oak	194.69.403
Cherry	194.69.603

Packing: 1 pc.

Wood species / Material	Item No.
Pine	194.69.007
Maple	194.69.107
Red Oak	194.69.407
Cherry	194.69.607
Resin	108.05.007

Packing: 1 pc.

Wood species	Item No.
Maple	194.69.110
Oak	194.69.410
Cherry	194.69.610

Packing: 1 pc.

Dimensional data not binding. We reserve the right to alter specifications without notice.

Dimensions in mm
Inches are approximate