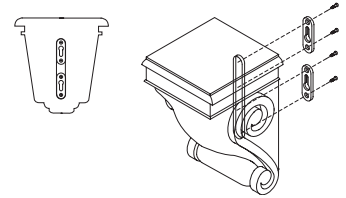
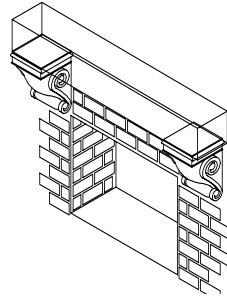
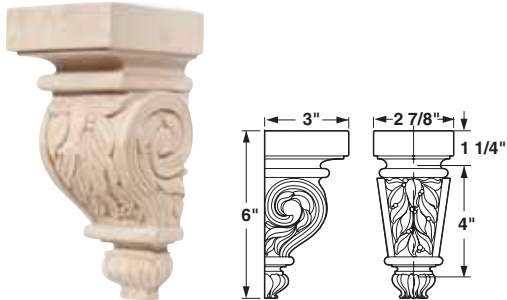


Hand Carved Corbels - Leaves

- Designed to compliment onlays and mouldings on following page.
- Use with mantels, room decorations, islands, etc.
- Details are hand-carved
- If using keyhole plates to mount corbels use #8, or larger screws.
- Produced from laminated stock and wood, each corbel is color matched. Within a color match there may be slight variation of color from white to light gray or light brown.



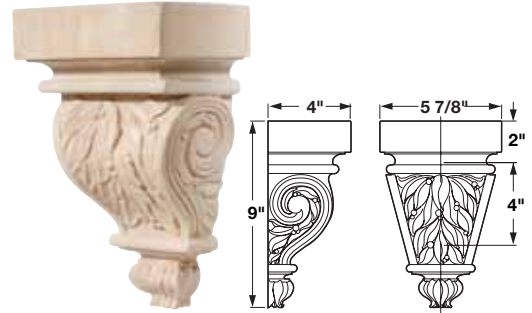
Corbels can be mounted with keyhole plates provided and pre-attached.



Hand Carved, laminated stock

Wood species	Item No.
Maple	198.00.110
Oak	198.00.410
Cherry	198.00.610

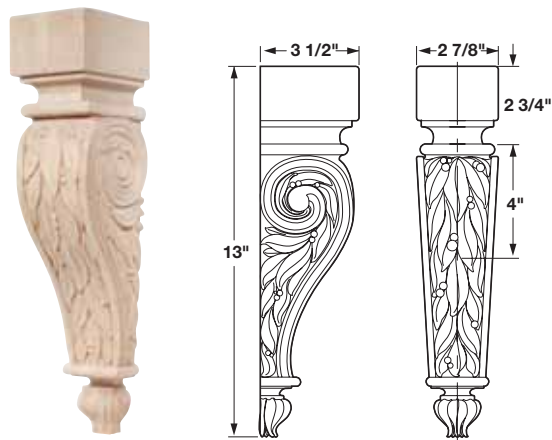
Packing: 2 pcs.



Hand Carved, laminated stock

Wood species	Item No.
Maple	198.00.120
Oak	198.00.420
Cherry	198.00.620

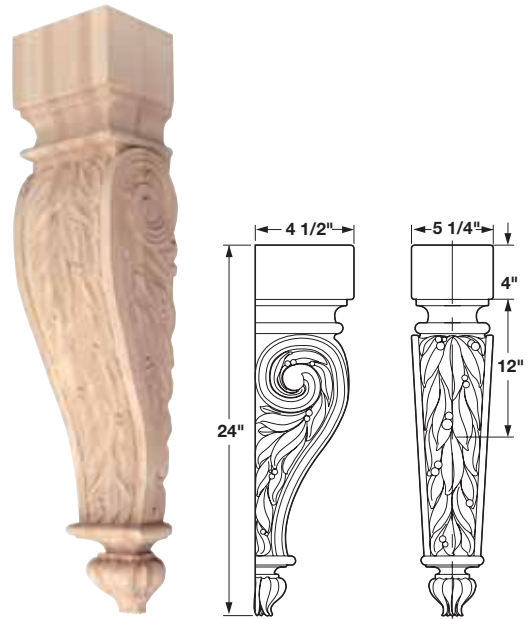
Packing: 1 pc.



Hand Carved, laminated stock

Wood species	Item No.
Maple	198.00.100
Oak	198.00.400
Cherry	198.00.600

Packing: 1 pc.



Hand Carved, laminated stock

Wood species	Item No.
Maple	198.00.130
Oak	198.00.430
Cherry	198.00.630

Packing: 1 pc.

Dimensional data not binding. We reserve the right to alter specifications without notice.

Dimensions in mm
Inches are approximate