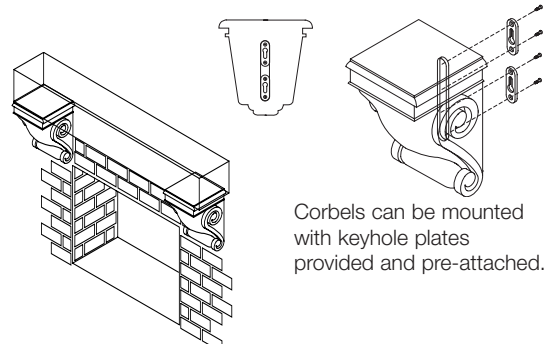
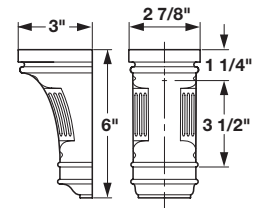


Hand Carved Corbels – Traditional

- Designed to compliment onlays and mouldings on following page.
- Use with mantels, room decorations, islands, etc.
- Details are hand-carved
- If using keyhole plates to mount corbels use #8, or larger screws.
- Produced from laminated stock and wood, each corbel is color matched. Within a color match there may be slight variation of color from white to light gray or light brown.



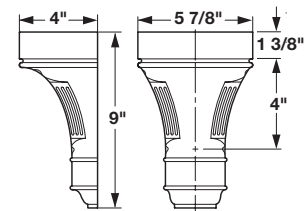
Corbels can be mounted with keyhole plates provided and pre-attached.



Hand Carved Corbel

Wood species	Item No.
Maple	198.00.160
Cherry	198.00.660

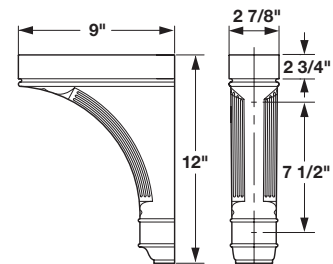
Packing: 2 pcs.



Hand Carved Corbel

Wood species	Item No.
Maple	198.00.150
Cherry	198.00.650

Packing: 1 pc.



Hand Carved Corbel

Wood species	Item No.
Maple	198.00.140
Cherry	198.00.640

Packing: 1 pc.

Dimensional data not binding. We reserve the right to alter specifications without notice.

Dimensions in mm
Inches are approximate