

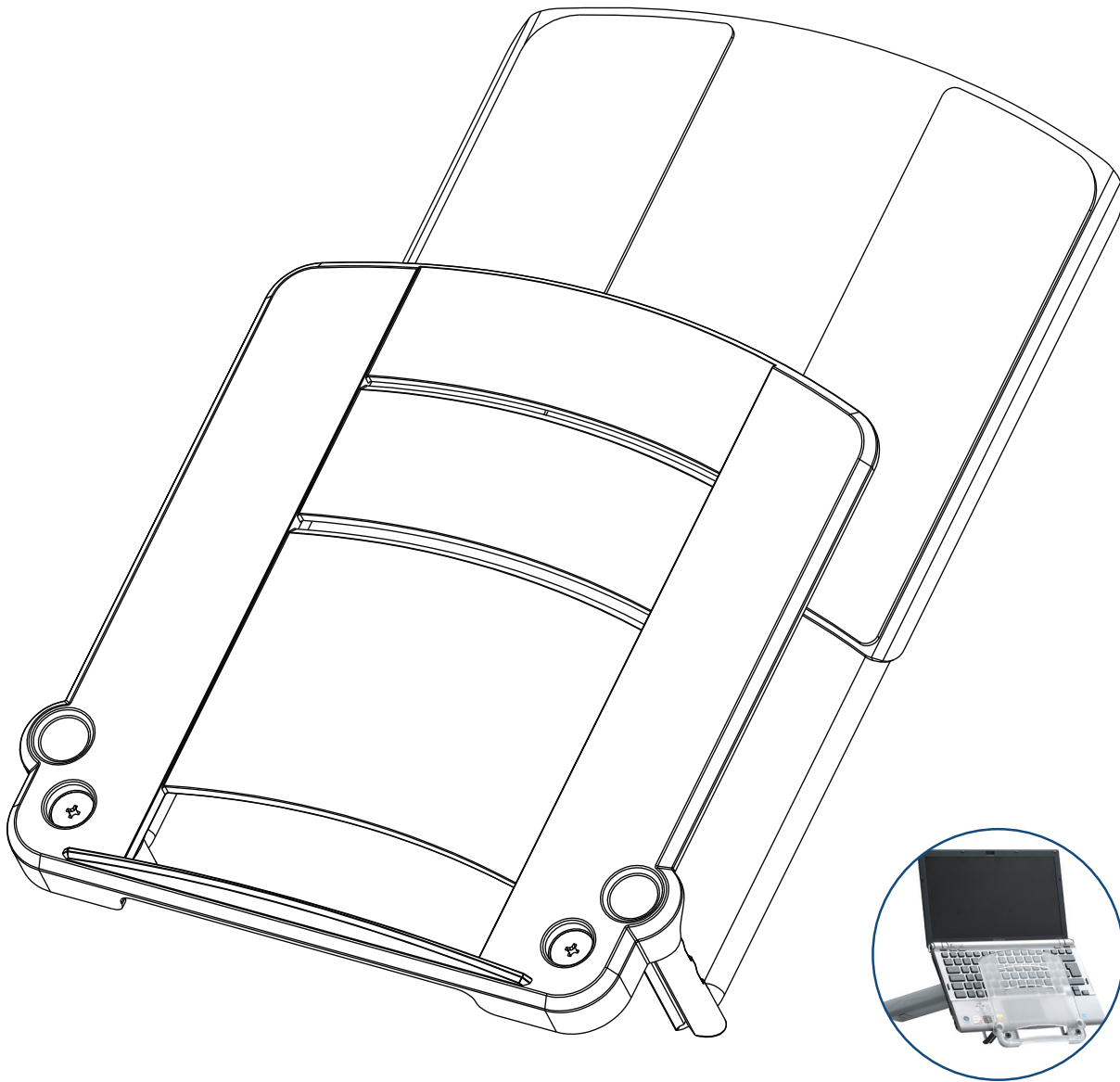
7801TDS

## Laptop Support with Document Holder

Laptop support mounts directly to standard 100mm x 100mm VESA plate hole pattern, ideal for use with KV Concerto and Xtend flat panel supports. Built in document holder supports single or multiple documents as well as adding security for the laptop.

### 7801TDS

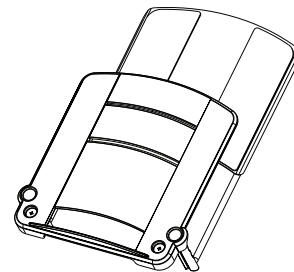
Features	Benefits
Sturdy silver painted steel construction	Provides the required support for laptops
Decorative built in document holder	Supports single and multiples sheets as well as books
Non-slip contact surface	Prevents Laptop from moving during adjustments
Built in grab handle	Allows for easy adjustment and positioning
Standard VESA mounting	100mm x 100mm mounting hole pattern
Mounting hardware included	Quick and simple installation
Sized to fit most Laptops	2.0" Thick opening allows for installation of most Laptop keyboards



### Laptop Support with Document Holder 7801TDS

**Ancillary Products:**

- Compatible with Knape & Vogt Concerto and Xtend series of monitor supports
- Use with Knape & Vogt Waterloo CPU holders and keyboard supports



Model	Height	Width	Thickness	Maximum Laptop Keyboard Thickness Supported	Color	Weight
7801TDS	12.0"	7.0"	2.8"	2.0"	Silver	2.3 lbs
7801TDB	12.0"	7.0"	2.8"	2.0"	Black	2.3 lbs



Finish: Black wrinkle paint  
Code Compliance: Exceeds ANSI/BIFMA standards

Notes: 1. Weight = packaged shipping weight per unit. 2. Specifications are subject to change without notice.